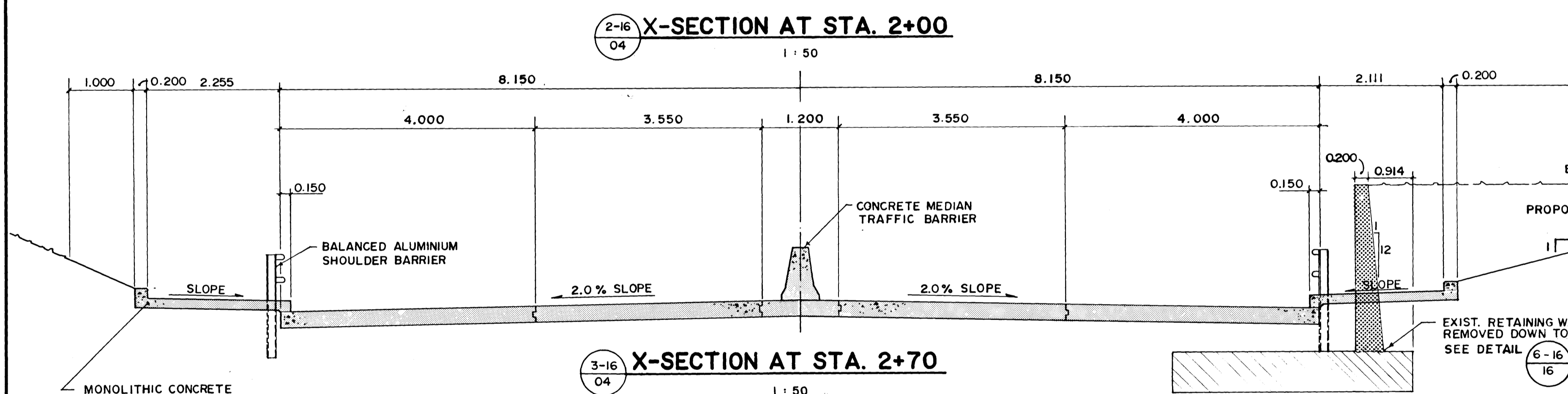


1-16 X-SECTION AT STA. 1+50  
04

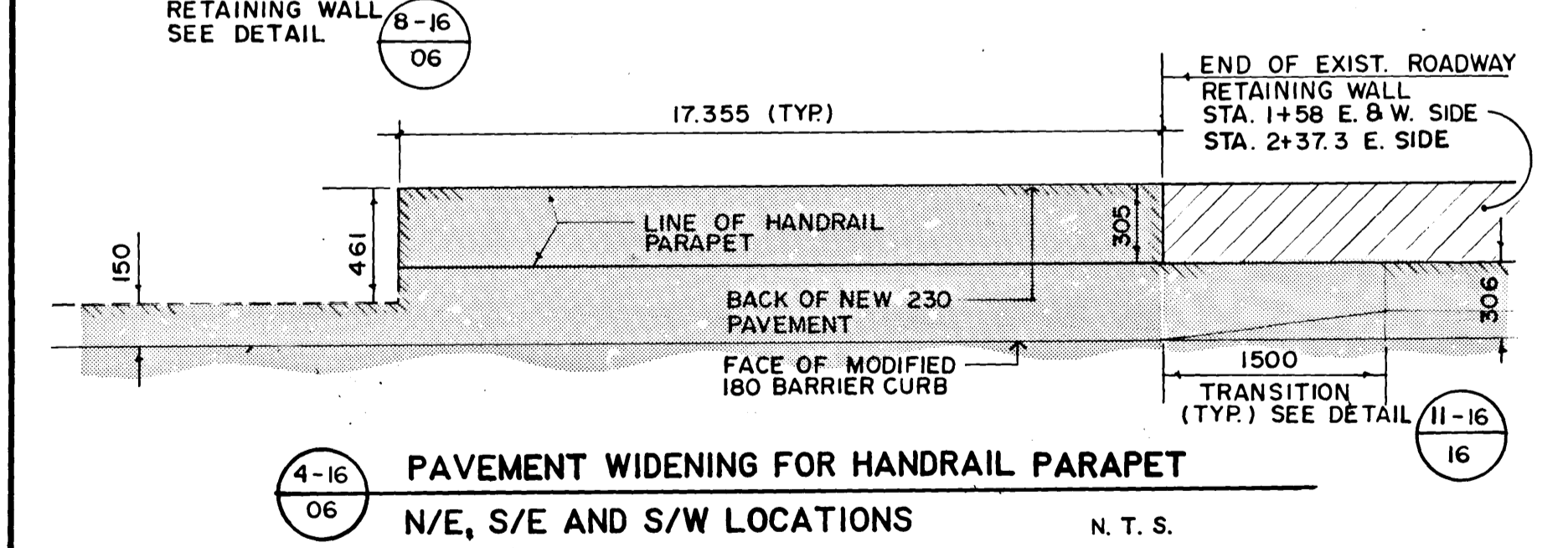
7-16 SECTION  
03

9-16 MODIFIED BARRIER CURB  
16

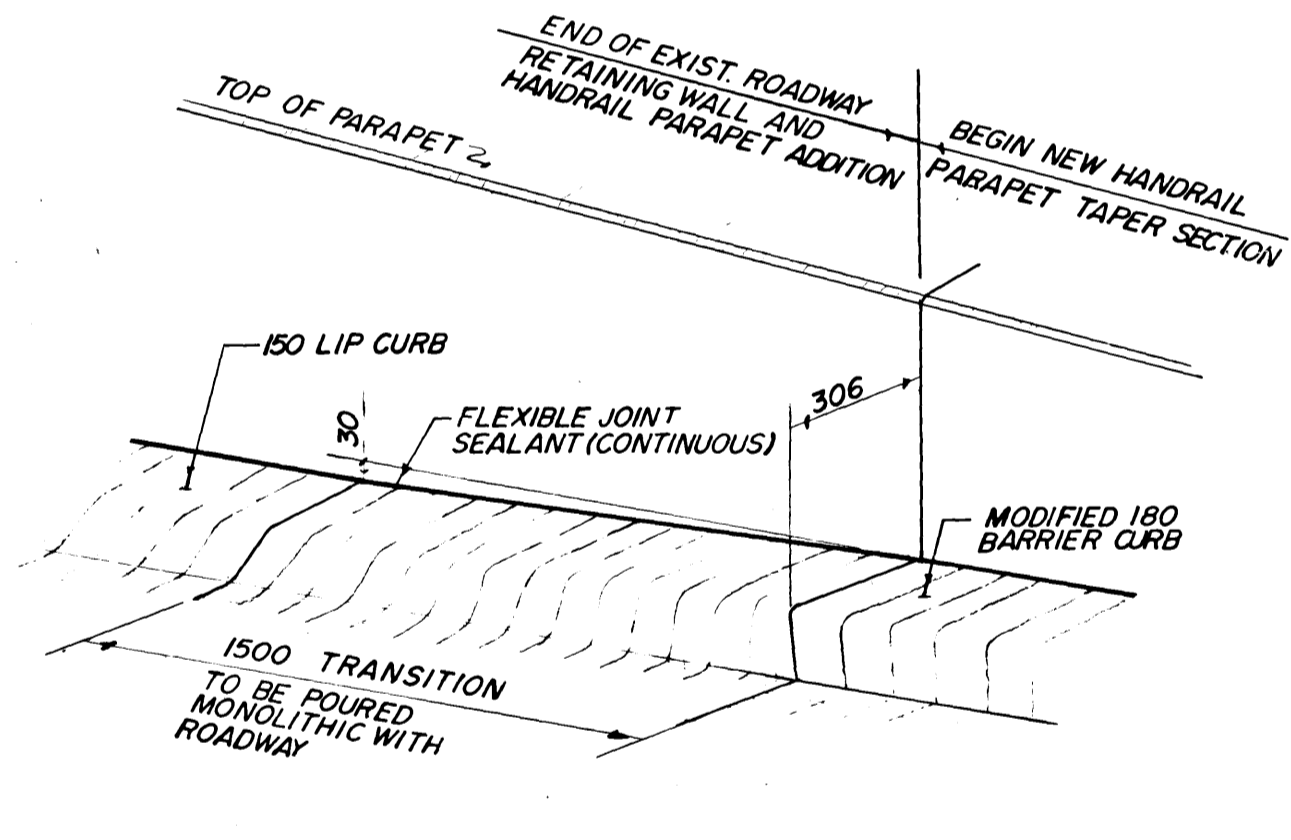


2-16 X-SECTION AT STA. 2+00  
04

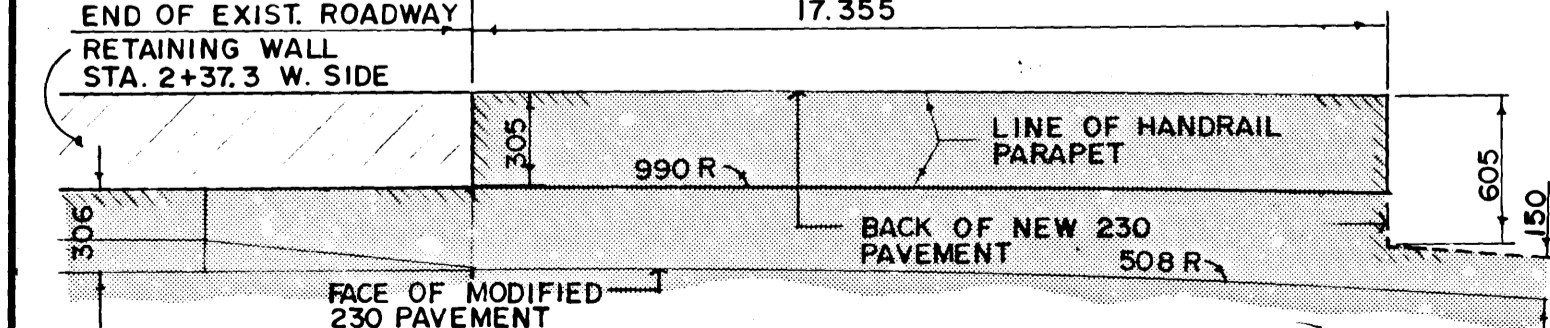
REID, CROWTHER & PARTNERS LIMITED  
WINNIPEG  
**AS CONSTRUCTED**  
SIG. *[Signature]* DATE: 85-12-18



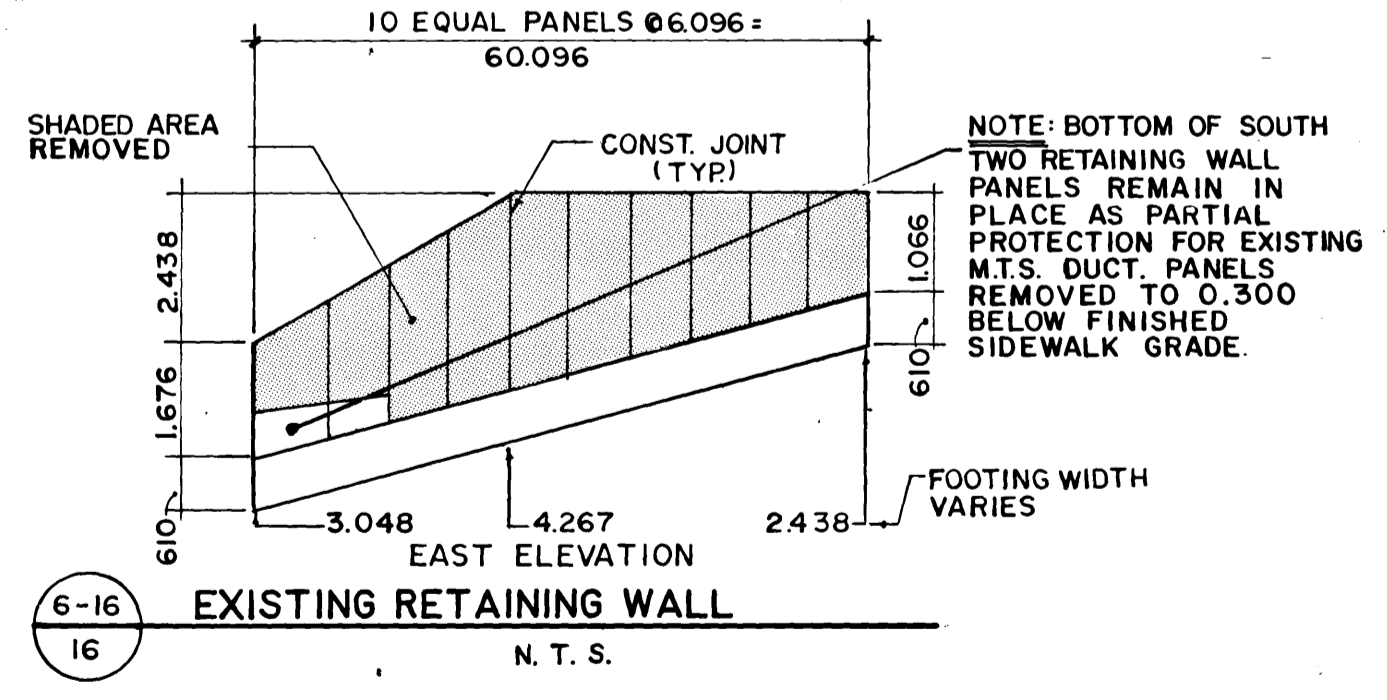
3-16 X-SECTION AT STA. 2+70  
04



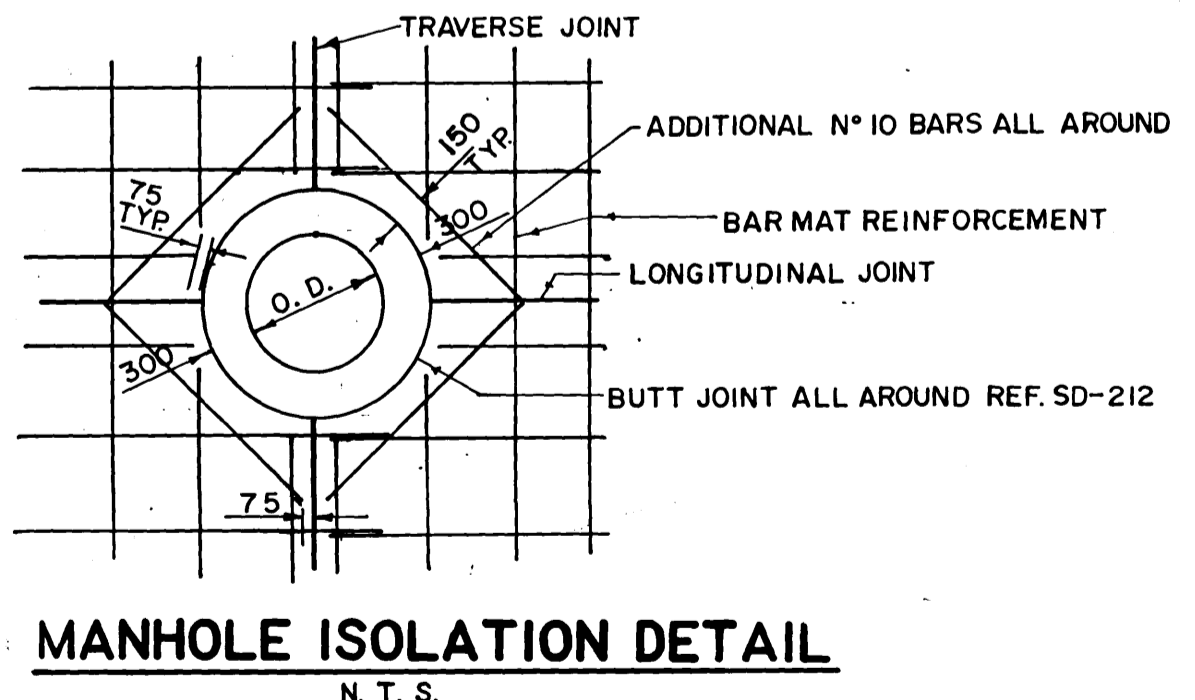
11-16 BARRIER CURB - LIP CURB  
16 TRANSITION DETAIL N.T.S.



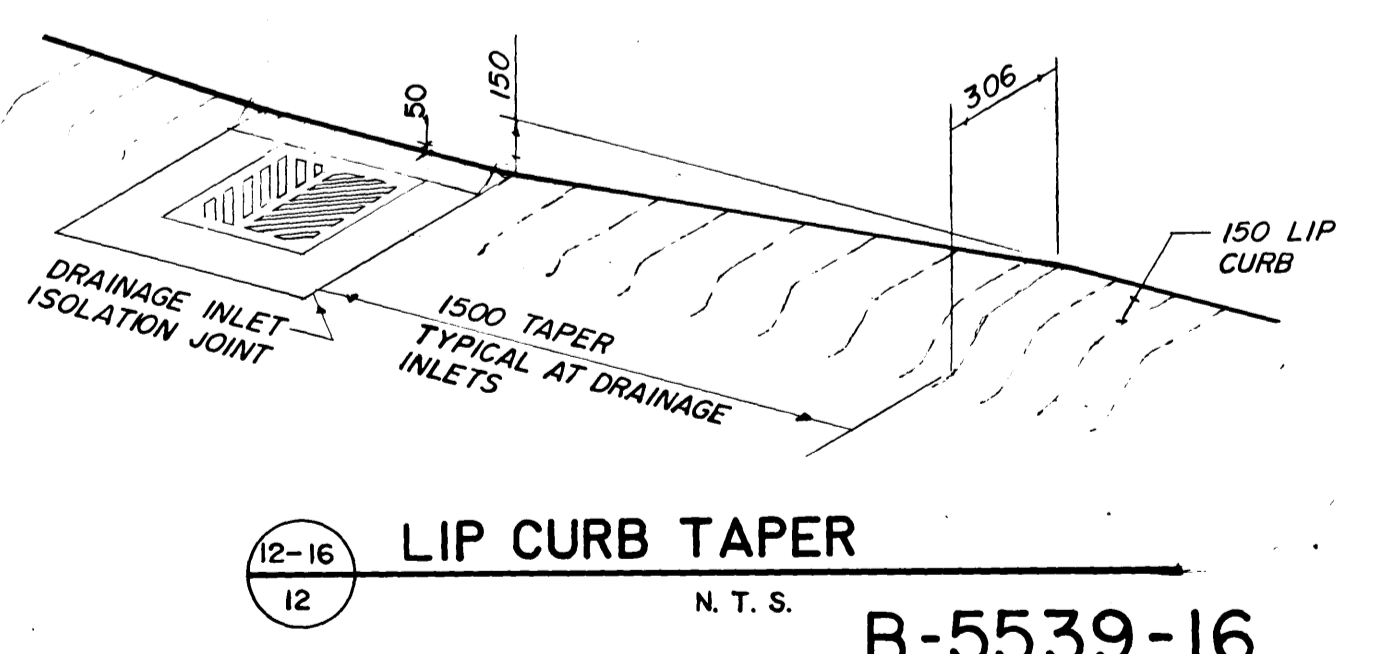
4-16 PAVEMENT WIDENING FOR HANDRAIL PARAPET  
06 N/E, S/E AND S/W LOCATIONS N.T.S.



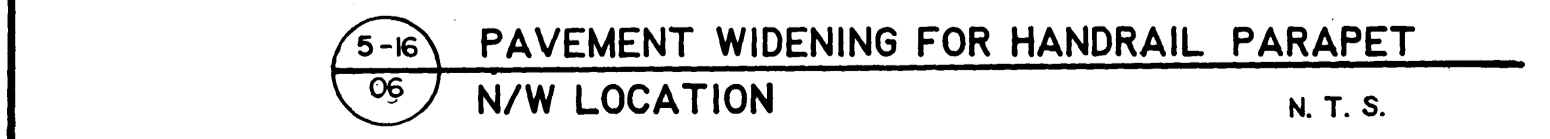
6-16 EXISTING RETAINING WALL  
16 N.T.S.



MANHOLE ISOLATION DETAIL  
N.T.S.



12-16 LIP CURB TAPER  
12 N.T.S.



5-16 PAVEMENT WIDENING FOR HANDRAIL PARAPET  
06 N/W LOCATION N.T.S.

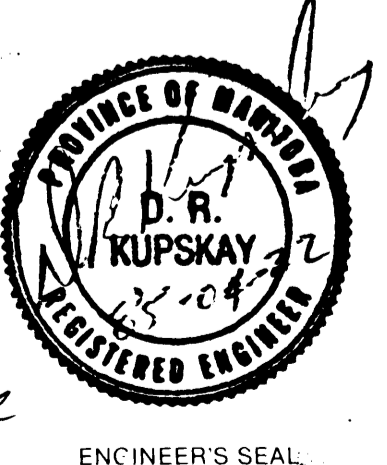
LOCATIONS OF UNDERGROUND STRUCTURES AS SHOWN ARE BASED ON THE BEST INFORMATION AVAILABLE, BUT NO GUARANTEE IS GIVEN THAT ALL EXISTING UTILITIES ARE SHOWN OR THAT THE GIVEN LOCATIONS ARE EXACT. CONFIRMATION OF EXISTENCE AND EXACT LOCATION OF ALL SERVICES MUST BE OBTAINED FROM THE INDIVIDUAL UTILITIES BEFORE PROCEEDING WITH CONSTRUCTION.

LOCATION APPROVED  
UNDERGROUND STRUCTURES  
DATE: *11/23/85* SUPERVISOR: *[Signature]*

A. DETAIL NO.  
B. DRAWING WHERE DETAIL SHOWN  
C. DRAWING WHERE DETAIL TAKEN

METRIC  
WHOLE NUMBERS INDICATE MILLIMETRES  
DECIMALIZED NUMBERS INDICATE METRES

NO.	AS CONSTRUCTED	DATE	APP.
1	AS CONSTRUCTED	NOV 25 1985	<i>[Signature]</i>



Reid Crowther  
DESIGNED BY: R.T.P.  
DRAWN BY: R.T.P.  
CHECKED BY: D.R.K.  
DATE: 85 04 15  
JOB NO: 60709-17  
APPROVED BY: *[Signature]*  
DATE: 85/04/22

THE CITY OF WINNIPEG  
WORKS & OPERATIONS DIVISION  
STREETS & TRANSPORTATION DEPARTMENT

RUE ARCHIBALD UNDERPASS  
C.P.R. KEEWATIN SUBDIVISION  
PAVEMENT RECONSTRUCTION AND RELATED WORKS

PAVEMENT DETAILS  
AUTHORIZED BY: *[Signature]* 1985-04-30  
STREETS & BRIDGES ENGINEER  
ACCEPTED BY: *[Signature]* 1985-04-30  
ENGINEER  
SCALE: AS SHOWN  
DRAWING NO: U205-85-16