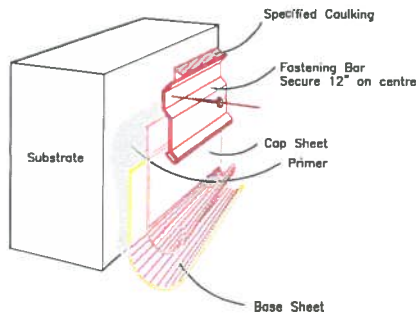
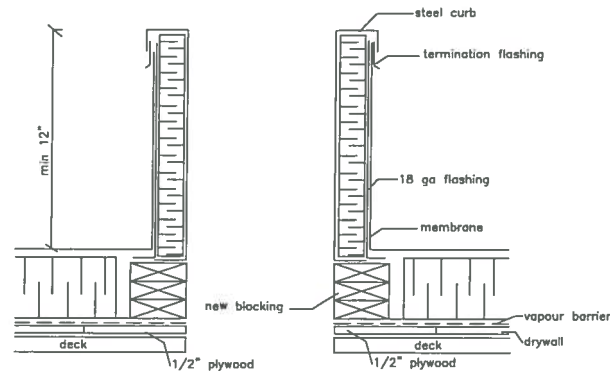


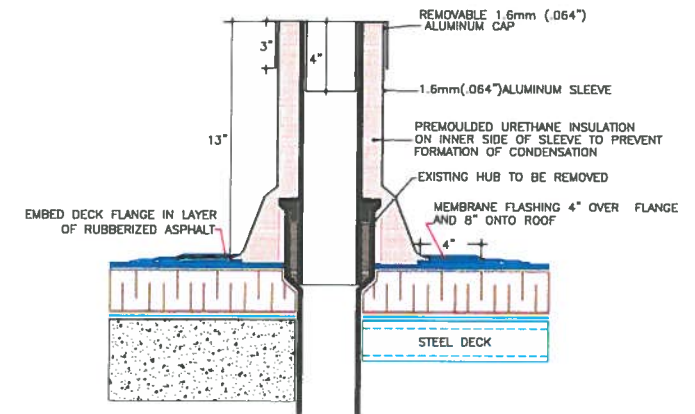
Typical Fastening Bar



Steel Curb Construction

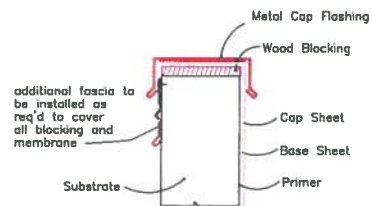
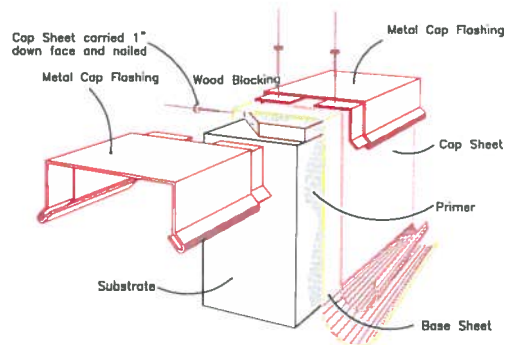


Plumbing Vent Flashing

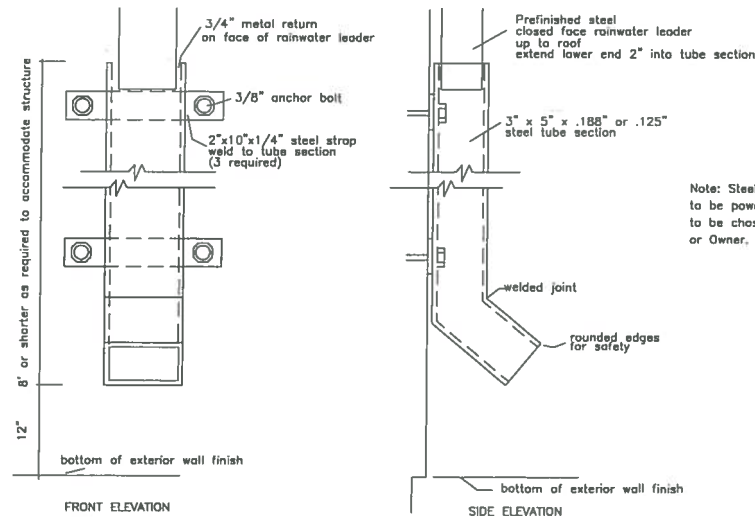


SJ-20 ALUMINUM STACK JACK (13") HIGH

Parapet / Divider



Structural Down Pipes



Note: Steel down pipes are to be powder coated. Color to be chosen by the Consultant or Owner.

Agassiz Consulting Group Ltd. Box 41, Warren, Manitoba R0C 3E0 Office Phone: (204) 383-5538	
Project: Melrose Park CC 480 Kimberley Street Winnipeg, MB	
Date: August 30, 2015	
Drawing No. D-1	
File no:	3579-15
Scale:	1:100

ROOF DETAILS