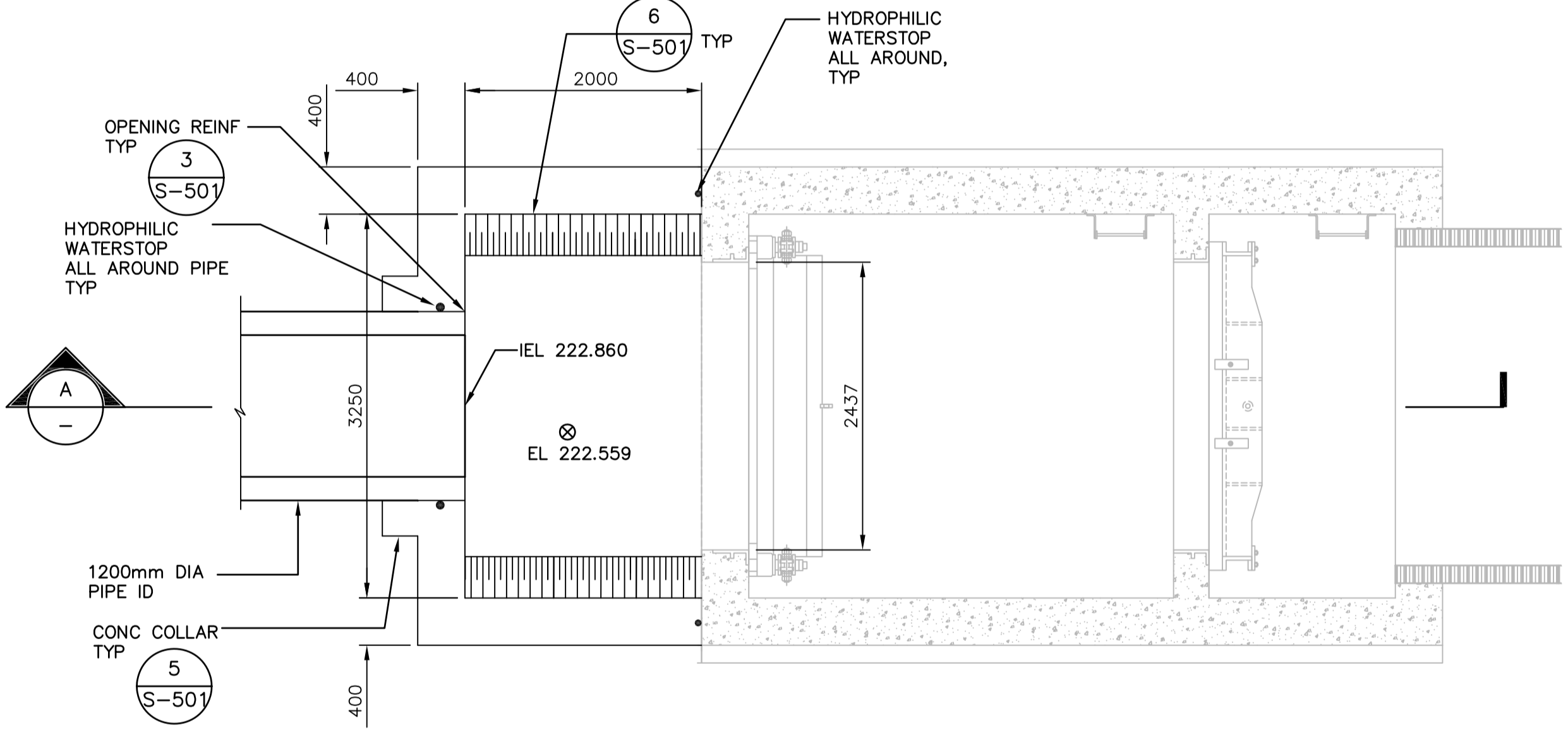
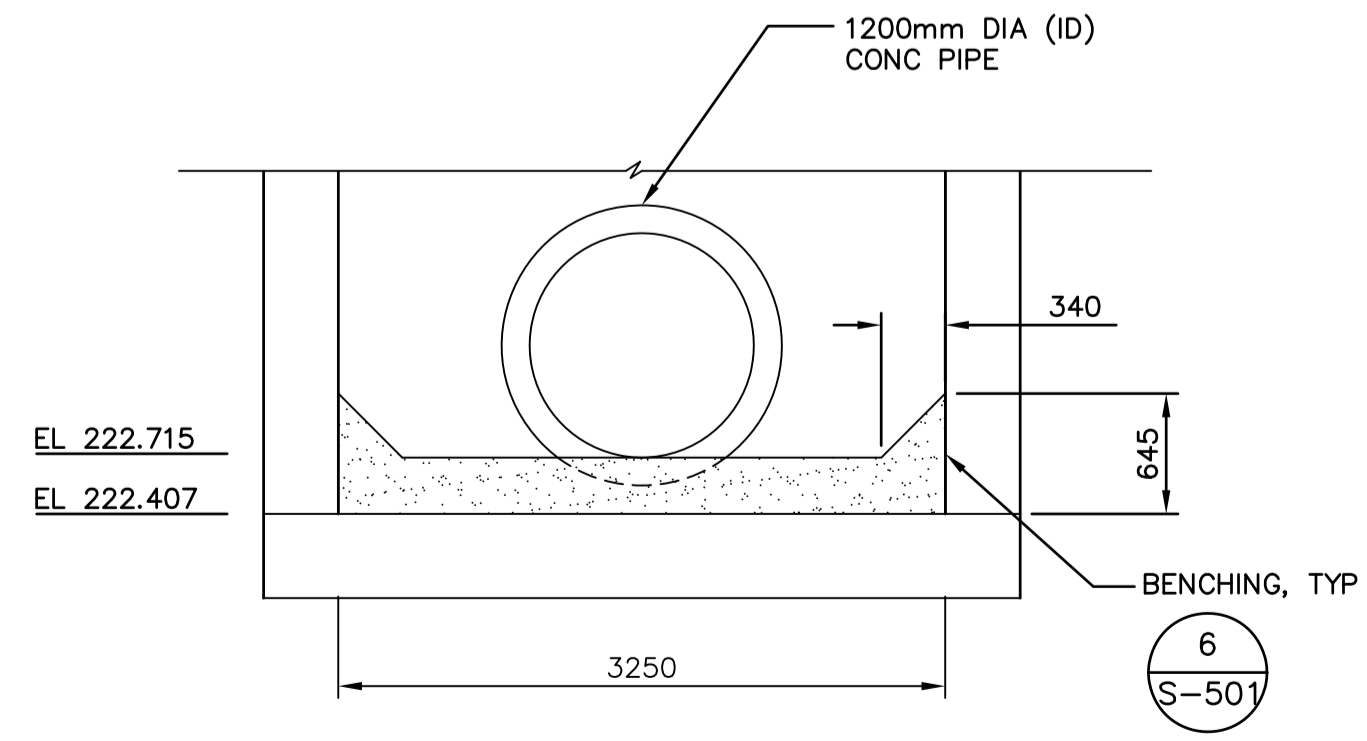


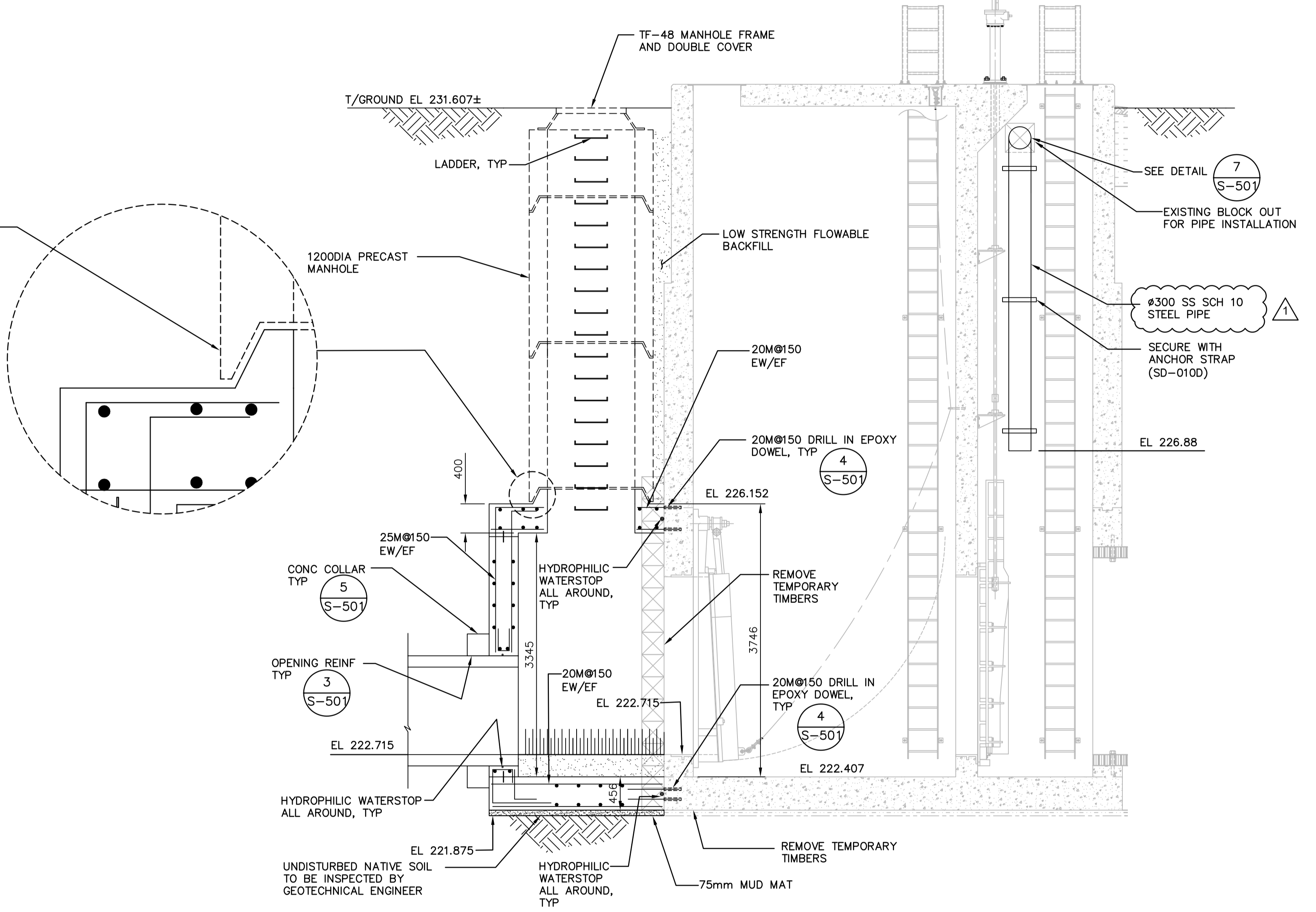
PLAN - EL 229.180
1:40



PLAN - EL 222.712
1:40



BENCHING ELEVATION
1:40



SECTION A
1:40

NOTES:

- DESIGN LIVE LOAD AT GRADE ELEVATION = 12KPa.
- DESIGN GROUND WATER ELEVATION = 233.15m
- CONCRETE $F_c = 32MPa$
REINFORCING $F_y = 400MPa$
- FOR UPLIFT CALCULATIONS SOIL AT TOP OF CHAMBER HAS BEEN TAKEN INTO ACCOUNT. DO NOT REMOVE SOIL COVER WHEN GROUND WATER LEVEL IS HIGH.
- MAINTAIN BACKFILL AROUND EXISTING STRUCTURES.

APEGM
Certificate of Authorization
CH2M HILL Canada Ltd.
No. 1441 Date: _____

B.M. ELEV.		ch2m		ENGINEER'S SEAL		THE CITY OF WINNIPEG WATER AND WASTE DEPARTMENT ENGINEERING DIVISION	
CONSTRUCTION COMPLETION DATE: YYYY MM DD				ORIGINAL SIGNED BY S.L.E. LUI 26/02/2016			
DESIGNED BY	EL	CHECKED BY	MD	CONSULTANT DRAWING NUMBER		GATE CHAMBER CONNECTION	
DRAWN BY	DB	APPROVED BY		S-101		COCKBURN AND CALROSSIE COMBINED SEWER RELIEF WORKS	
SCALE: HORIZONTAL AS NOTED		RELEASED FOR CONSTRUCTION					
1 ISSUED FOR ADDENDUM NO. 2 03/2016 JBC		DATE					
0 ISSUED FOR TENDER 02/2016		DATE					
NO.	REVISIONS	DATE	BY	PLOT DATE: 2016 03 16		FILE PATH: C:\pwworkdir\ch2mhill_wbg\jcoritez1\0204820\ S-101.dwg	