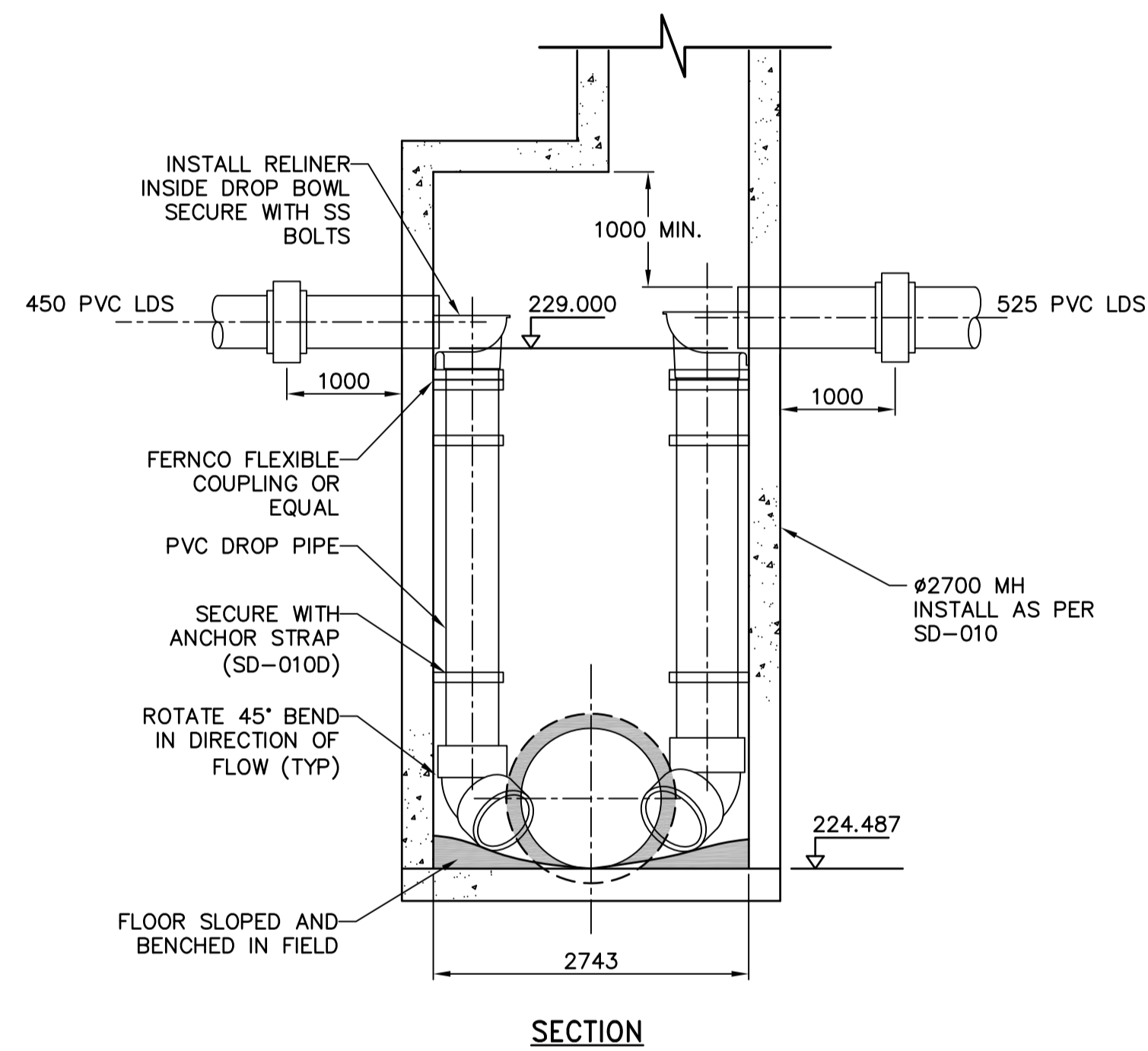
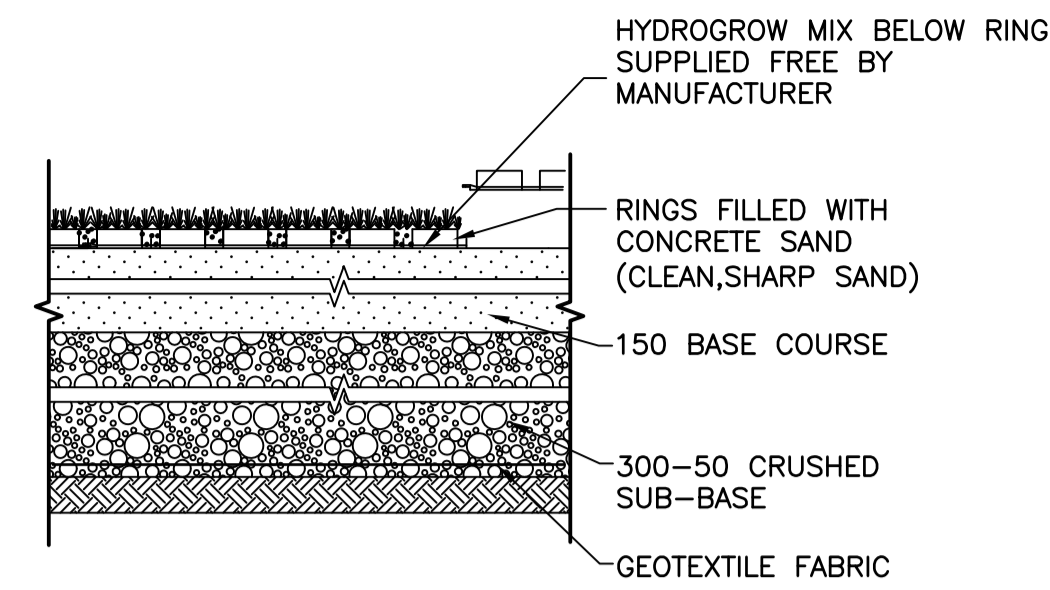


PLAN

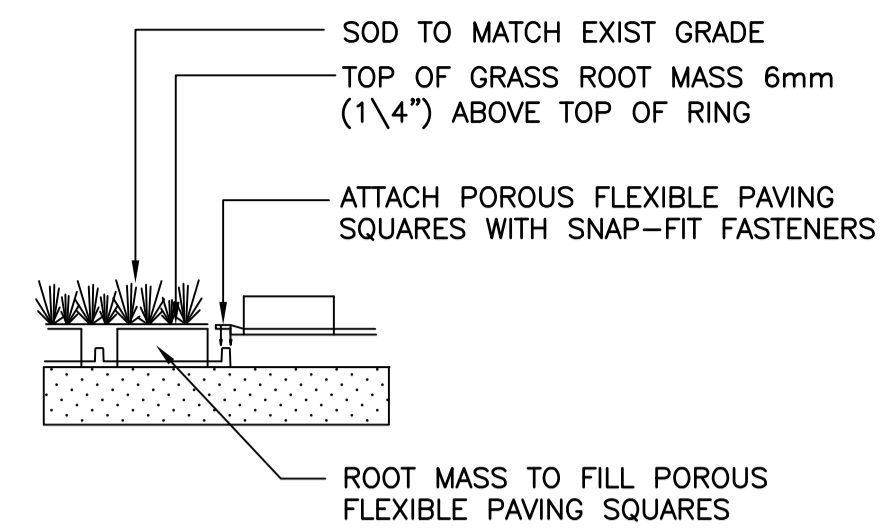


SECTION

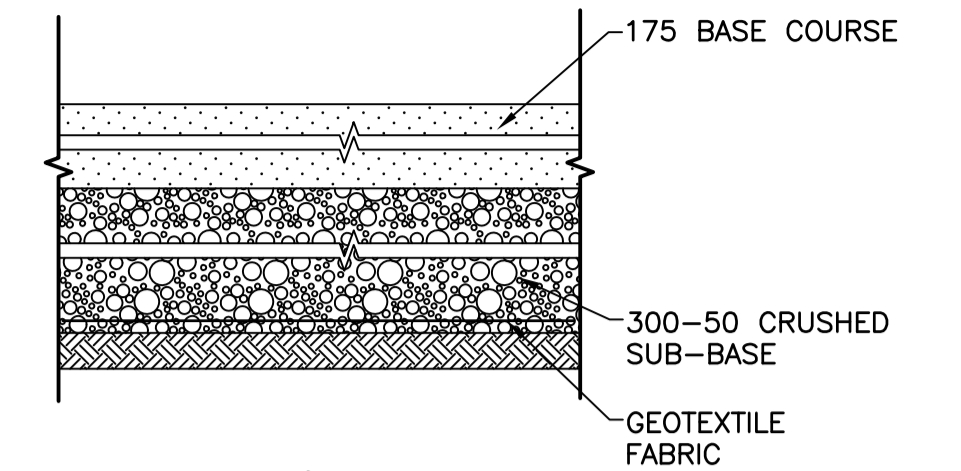
1 DROP MANHOLE  
- NTS



SECTION

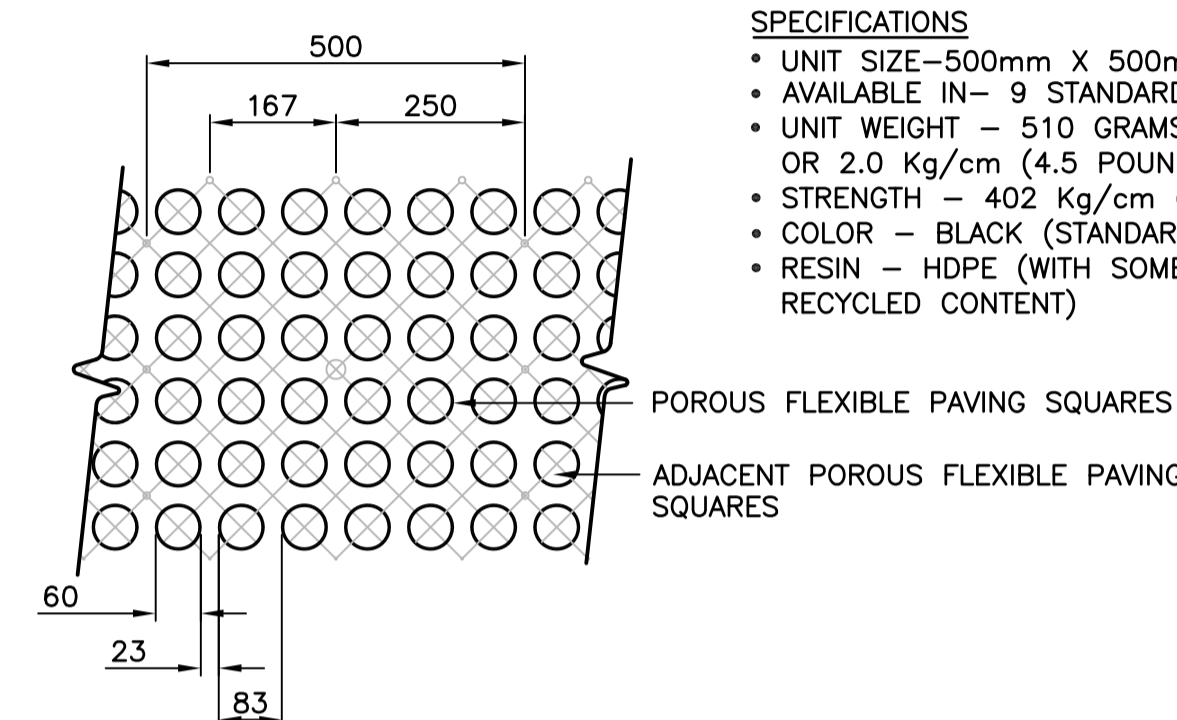


DETAIL



SECTION

3 EXISTING GRAVEL ACCESS ROAD  
- NTS



2 POROUS FLEXIBLE PAVING  
- NTS

SPECIFICATIONS

- UNIT SIZE - 500mm X 500mm X 25mm
- AVAILABLE IN - 9 STANDARD ROLL SIZE
- UNIT WEIGHT - 510 GRAMS (18 OZ.) OR 2.0 Kg/cm (4.5 POUNDS)
- STRENGTH - 402 Kg/cm (5720 PSI)
- COLOR - BLACK (STANDARD)
- RESIN - HDPE (WITH SOME POST-CONSUMER RECYCLED CONTENT)

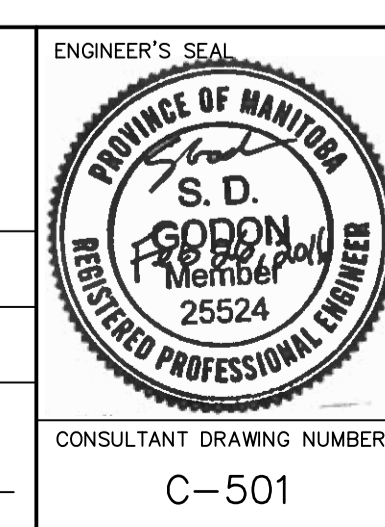
NOTES:

1. CONFIRM EXTENT OF AREA IDENTIFIED FOR POROUS PAVING SYSTEM WITH CONTRACT ADMINISTRATOR PRIOR TO BEGINNING OF CONSTRUCTION.
2. REMOVE 25 OF BASE COURSE MATERIAL FROM THE EXISTING GRAVEL ACCESS ROAD AREA.
3. INSTALL POROUS PAVING UNITS ACCORDING TO THE TECHNICAL SPECIFICATIONS OR AS DIRECTED BY THE CONTRACT ADMINISTRATOR.



B.M. ELEV.			
CONSTRUCTION COMPLETION DATE: YYYY MM DD			
DESIGNED BY	SDG	CHECKED BY	MAF
DRAWN BY	JBC	APPROVED BY	ES
SCALE:	HORIZONTAL NTS		
	VERTICAL		
0 ISSUED FOR TENDER	02/2016	JBC	
NO.	REVISIONS	DATE	BY

<b>ch2m</b>	
ENGINEER'S SEAL	
DESIGNED BY	SDG
DRAWN BY	JBC
SCALE:	HORIZONTAL NTS
	VERTICAL
0 ISSUED FOR TENDER	02/2016
NO.	REVISIONS



**THE CITY OF WINNIPEG**  
WATER AND WASTE DEPARTMENT  
ENGINEERING DIVISION

COCKBURN AND CALROSSIE COMBINED  
SEWER RELIEF WORKS  
MISCELLANEOUS DETAILS

SHEET 23 OF 25  
CITY DRAWING NUMBER  
LD-7821

CONSULTANT DRAWING NUMBER  
C-501