

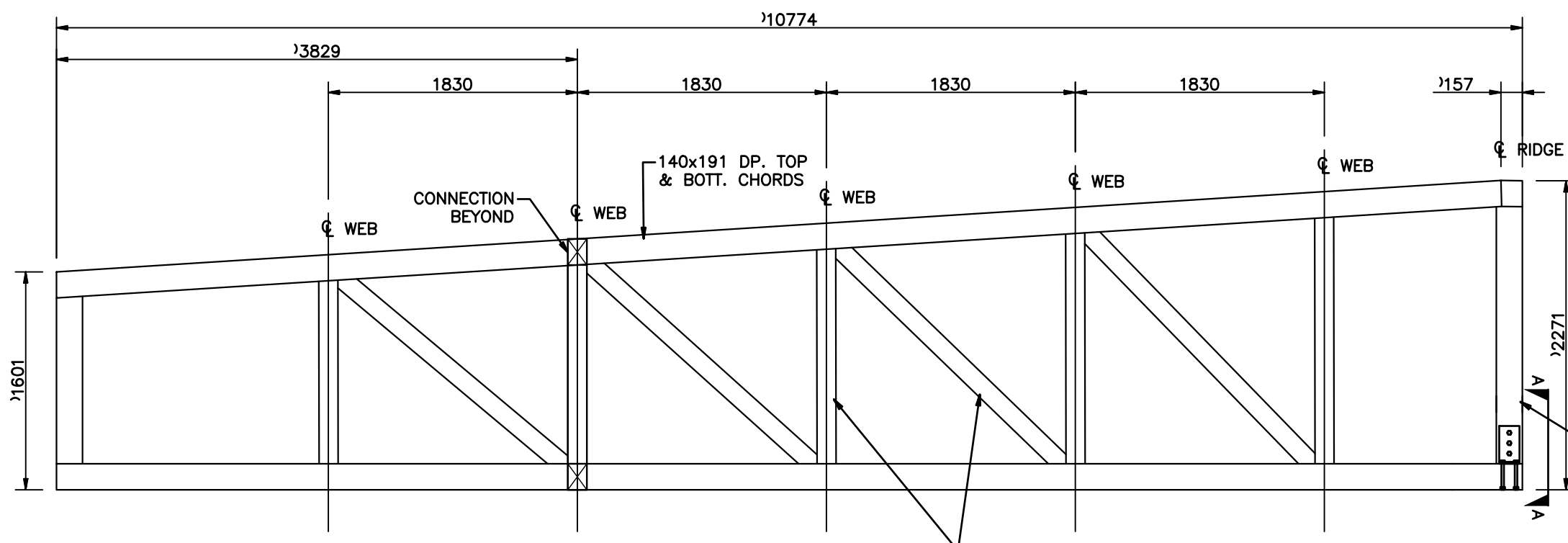
NOTE: COORD. ALL ROOF TOP OPENINGS W/ ARCH. & MECH.

ROOF FRAMING PLAN
1 : 60



DESIGN LOADS:

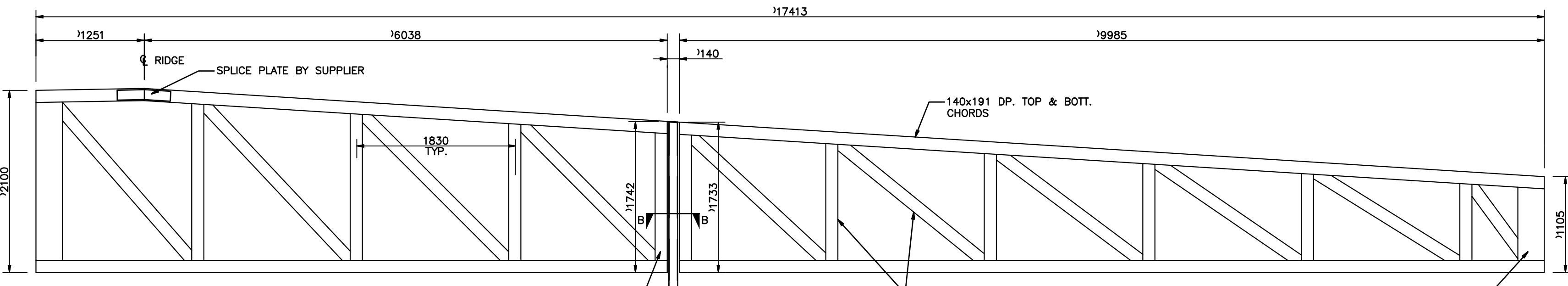
DEAD LOAD: 1.0 kPa
SNOW LOAD: 1.72 kPa
UPLIFT: 1.0 kPa
OPEN TERRAIN 0.45 kPa



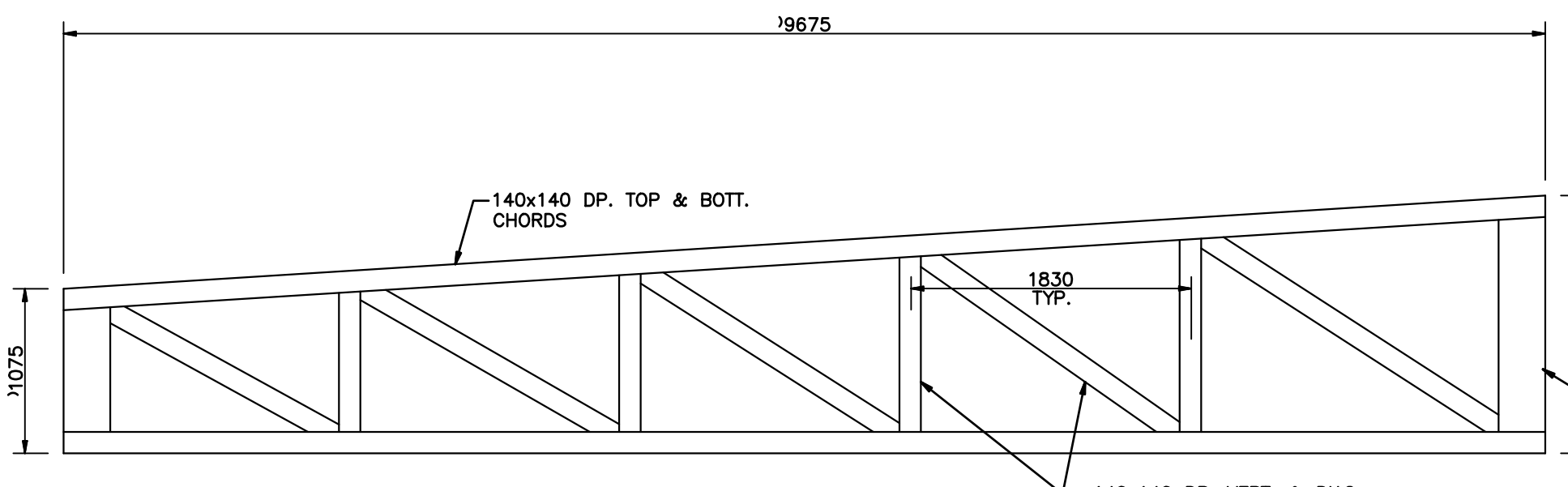
GIRDER TRUSS GT-1 DETAIL
1:40

NOTE:
ALL TRUSS MEMBERS MINIMUM
SELECT STRUCTURAL OR
SPF #1 GRADE OR DF-L #2

TYP. TRUSS SUPPLIER TO PROVIDE INTERNAL KNIFE PLATE CONNECTION DETAILS FOR ALL TRUSS CONNECTIONS BY ENGINEER REGISTERED IN MANITOBA. IF SPLICES ARE REQUIRED DUE TO MATERIAL AVAILABILITY, ENGINEER TO PROVIDE DETAIL INCORPORATING SUCH. ALL GIRDER MEMBER SIZES TO BE PROVIDED BY TRUSS SUPPLIER. SIZES SHOWN ARE MINIMUMS, DO NOT EXCEED 140 WIDTH.



GIRDER TRUSS GT-2 DETAIL
1:30



GIRDER TRUSS GT-3 DETAIL
1:30

STUD WALL SCHEDULE:

SW-1: 38x140 SPF #2 @ 610 O/C
C/W 9.5 PLYWOOD SHEATHING O.F.
SW-2: 38x140 SPF #2 @ 610 O/C

BEAM SCHEDULE:

B-1: 3 PLY 38x235 SPF #2
B-2: 2 PLY 38x184

LINTEL SCHEDULE:

L-1: 2 PLY 38x235 SPF #2

COLUMN SCHEDULE:

C-1: 3 PLY 38x140 SPF #2

STEEL COLUMN SCHEDULE:

SC-1: HSS 89# x6.4
C/W POCKETED BR 12x250x250

JOIST SCHEDULE:

J-1: 2 PLY 38x235 SPF #2 @ 610 O/C OR
ROUGH SAWN SPF #2 102x235 @ 610 O/C

NOTE: TYP. AT LINTEL & BEAM LOC'NS PROVIDE MATCHING # STUDS/PLY EA. END, C/W SINGLE KING STUD FULL HEIGHT. STUD WIDTH TO MATCH WALL TYPE WIDTH.

1	ISSUED FOR CLARIFICATION	2016.10.18	JR
0	ISSUED FOR CONSTRUCTION	2016.07.06	JR
No.	REVISION	DATE	BY

WOLFROM ENGINEERING LTD
CONSULTING ENGINEERS
3445 WARDLAW AVENUE
WINNIPEG, CANADA R3L 0L5
(204) 452-0041 FAX: 284-8680
E-Mail: info@wolfrofromeng.com

APEG
Certificate of Authorization
Wolfrom Engineering Ltd.
No. 1156 Expiry: April 30, 2017



JOB TITLE
**CRESCENT DRIVE
PARK PAVILION**
WINNIPEG, MB.

DRAWING TITLE
**ROOF FRAMING
PLAN &
GIRDER TRUSS DETAILS**

DRAWN BY AVP	SCALE AS NOTED	DRAWING NO. S-2R1
FILE NO. W15085	DATE 2016.07.06	REVISION NO. 1