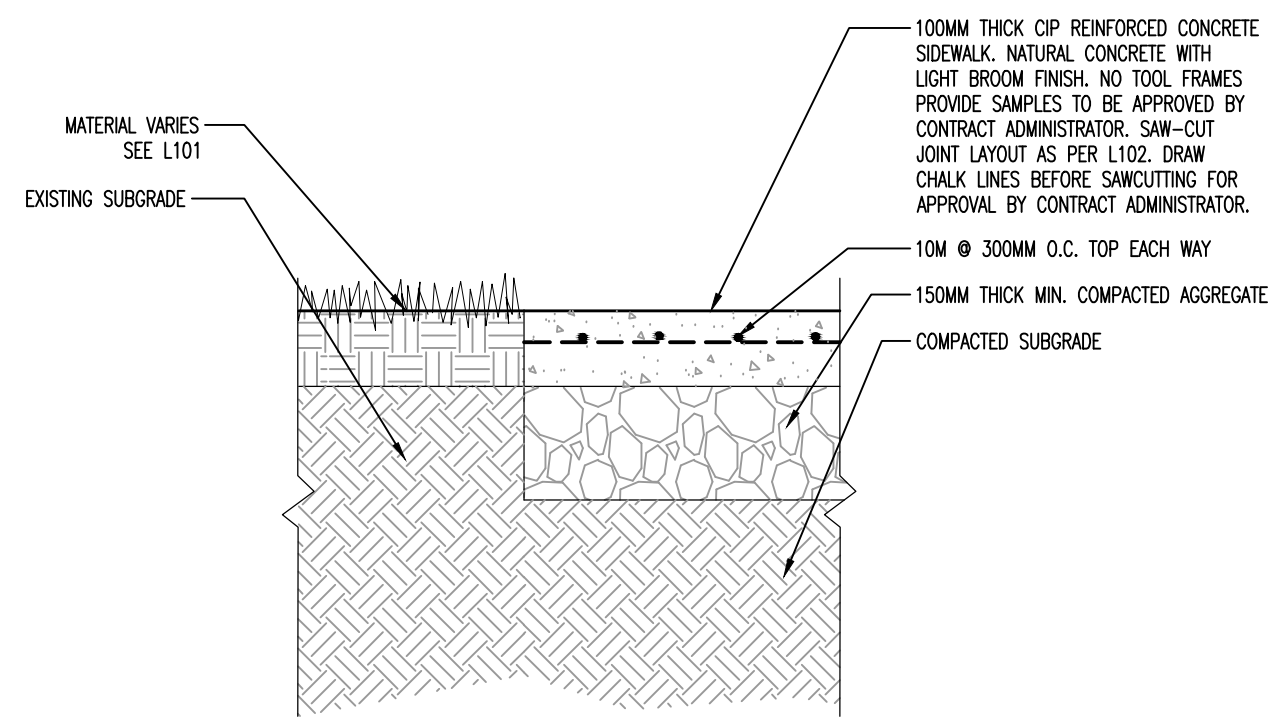


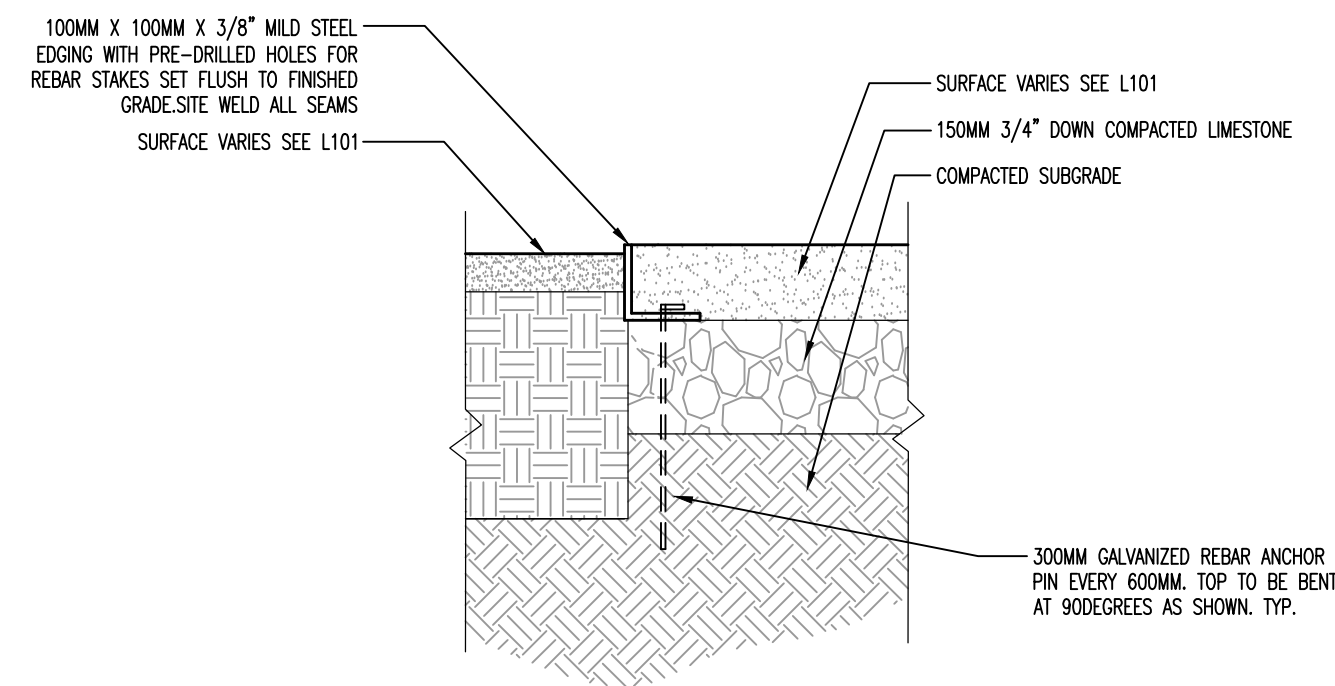
1 AGGREGATE SURFACING, TYP.

SCALE 1:10 (@24x36)



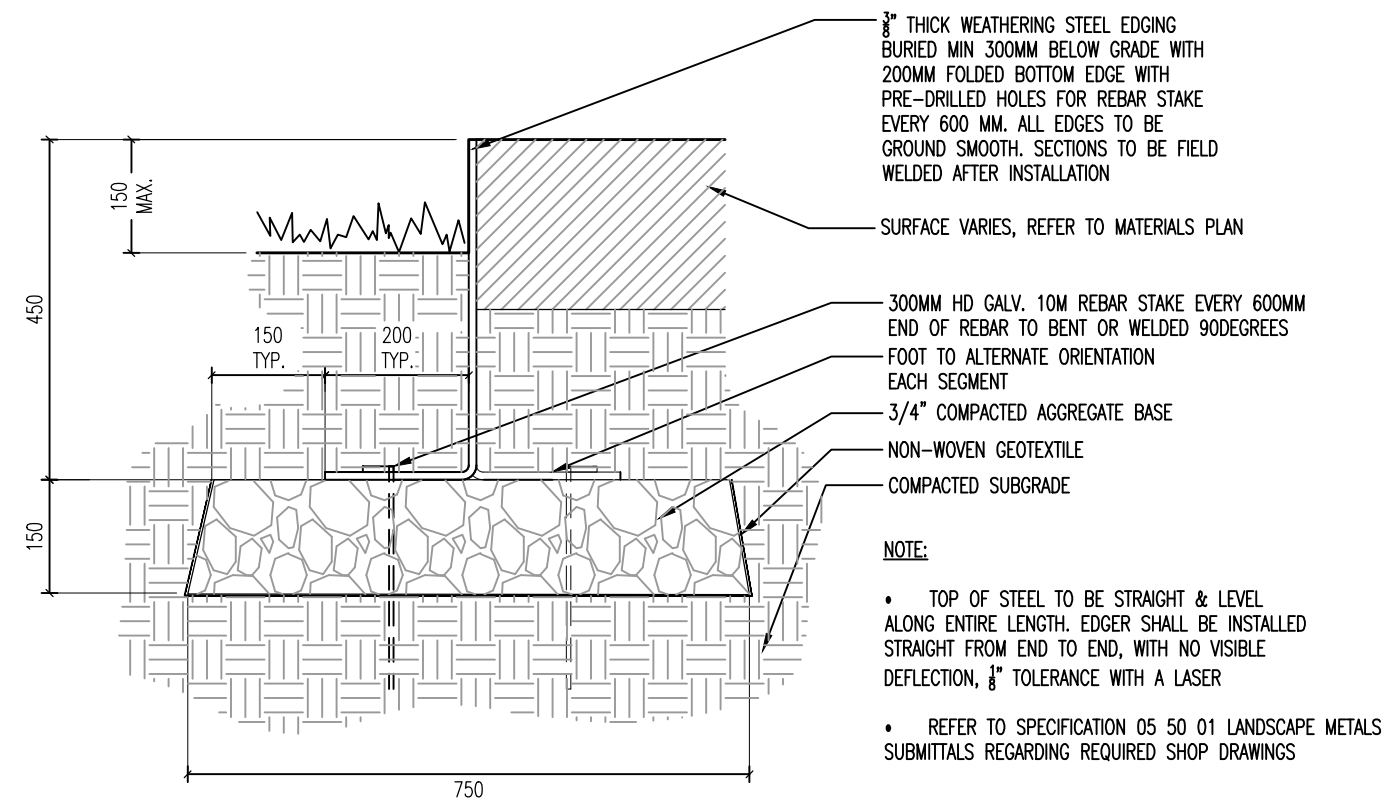
2 CONCRETE PAVEMENT, TYP.

SCALE 1:10 (@24x36)



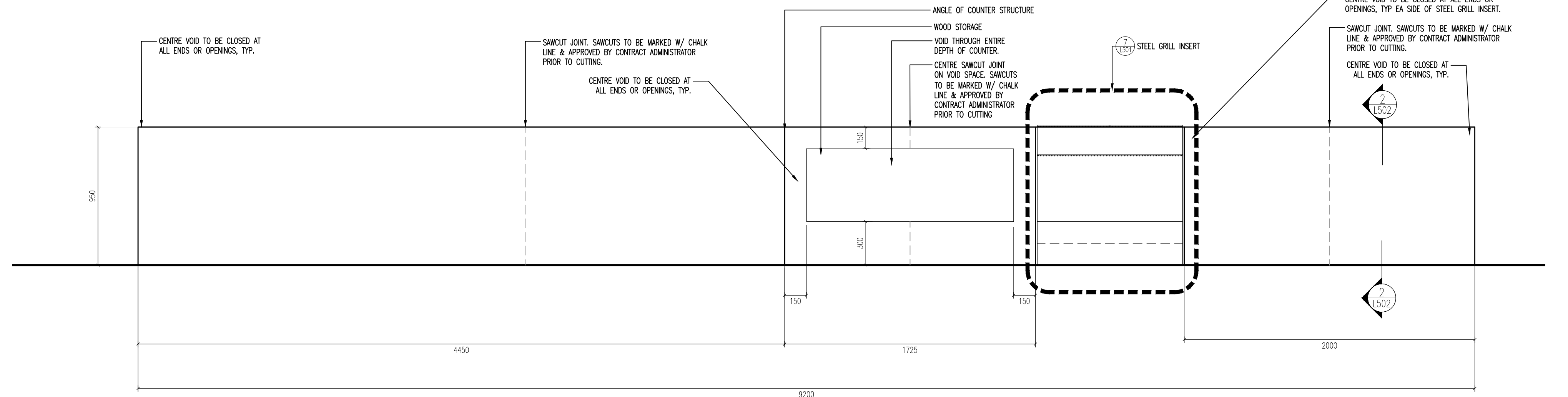
3 STEEL EDGER, TYP.

SCALE 1:10 (@24x36)



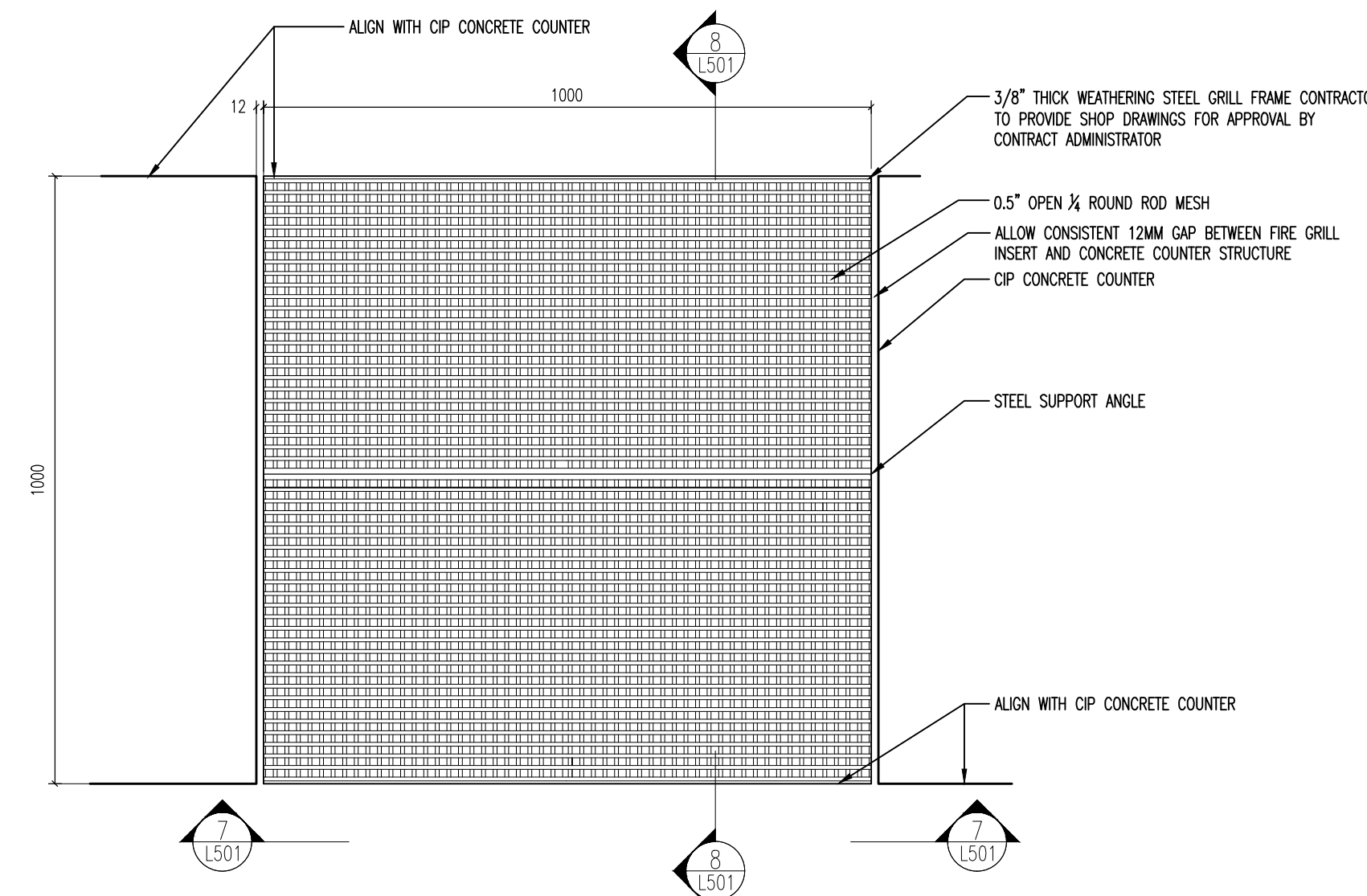
4 RETAINING STEEL EDGER, TYP.

SCALE 1:10 (@24x36)



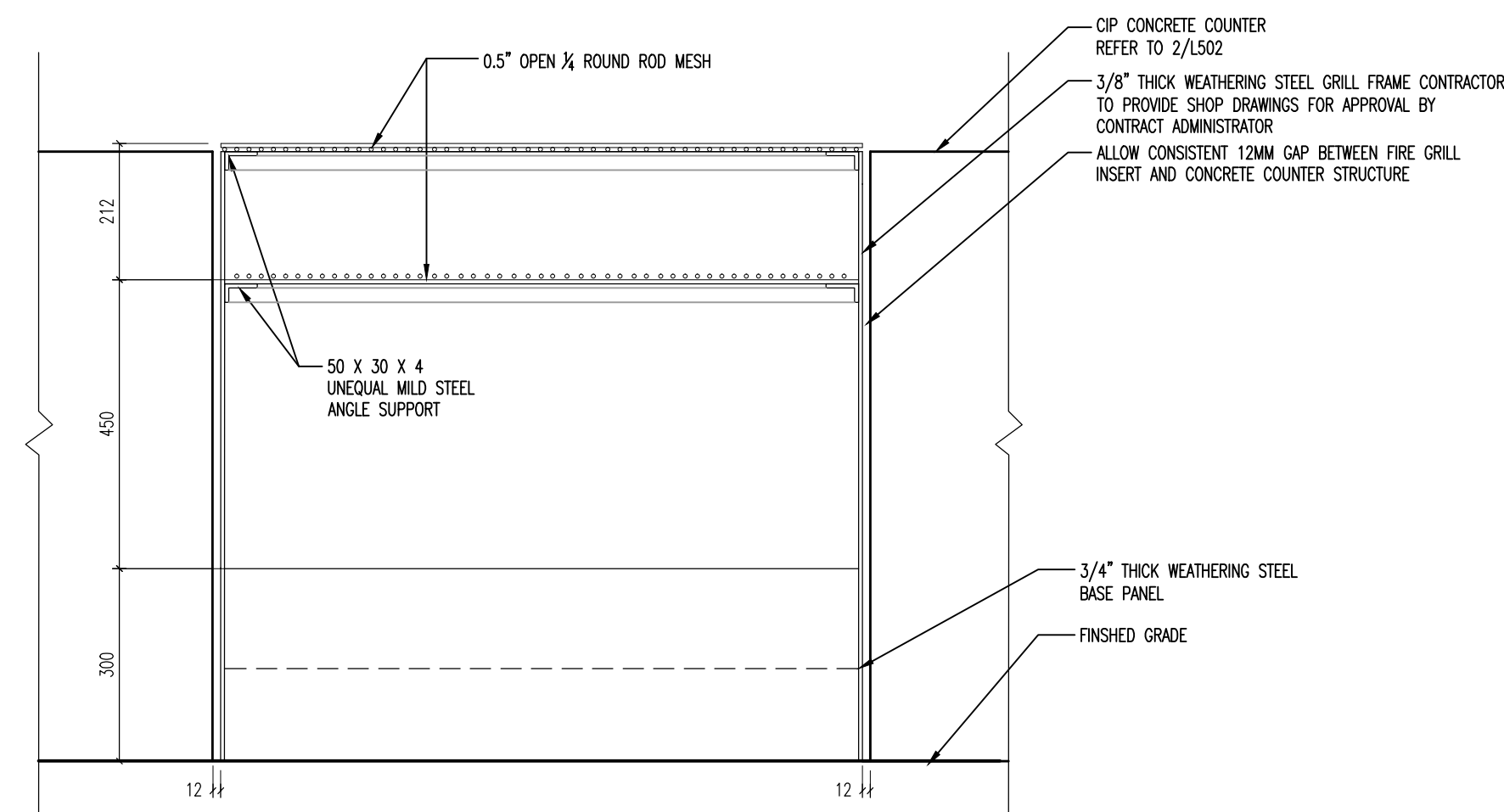
5 CIP CONCRETE COUNTER ELEVATION

SCALE 1:20 (@24x36)



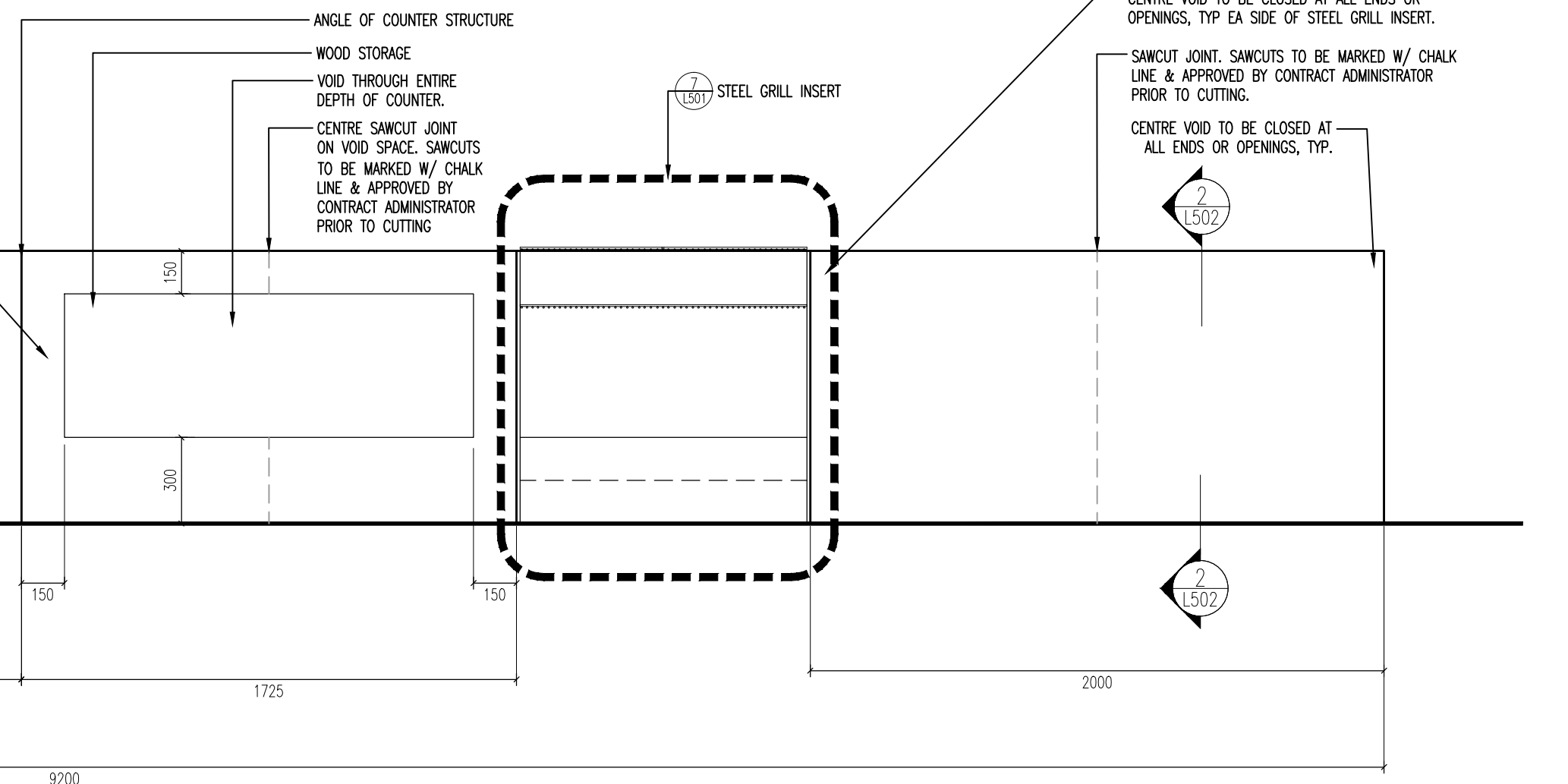
6 STEEL GRILL INSERT PLAN

SCALE 1:10 (@24x36)



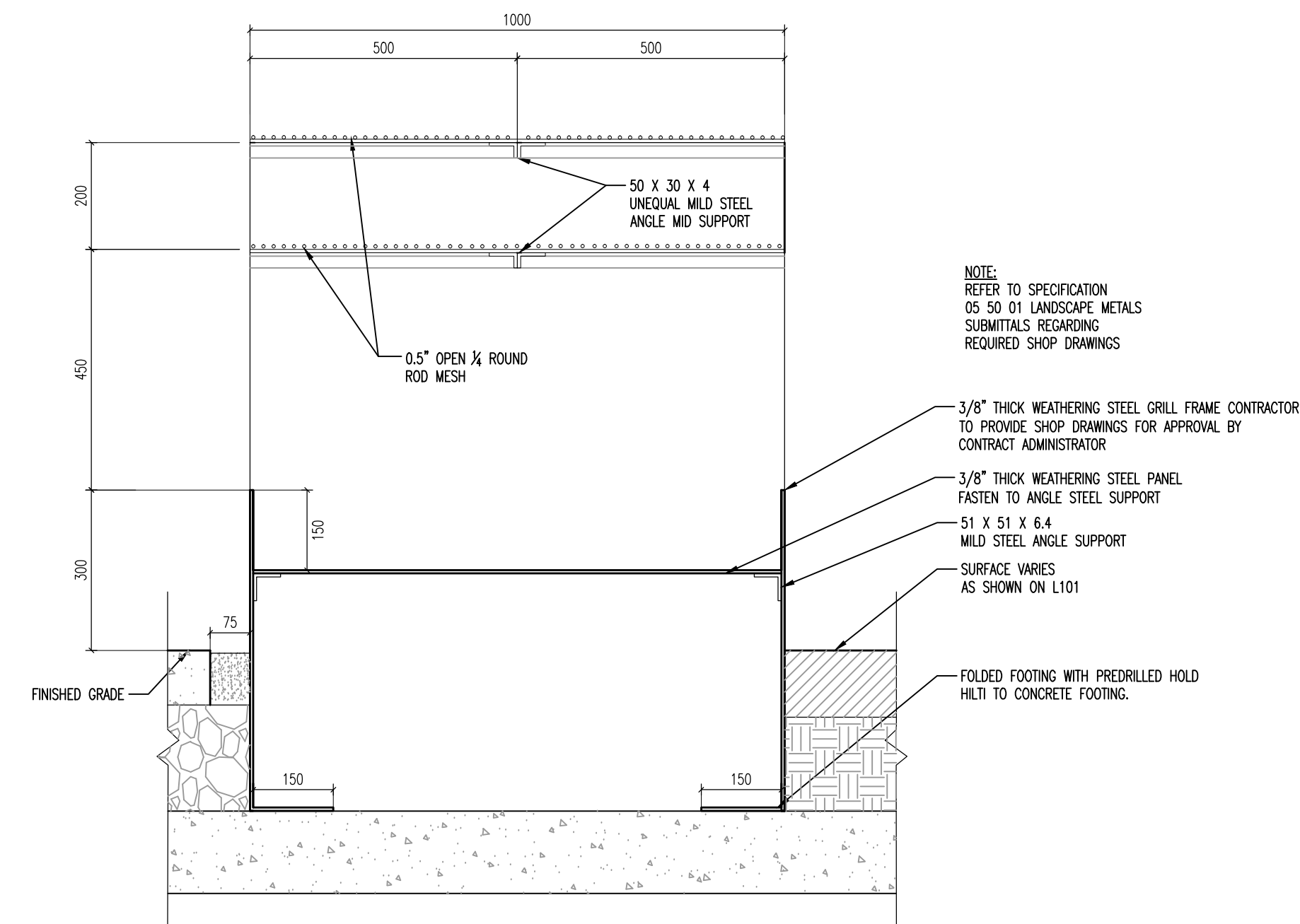
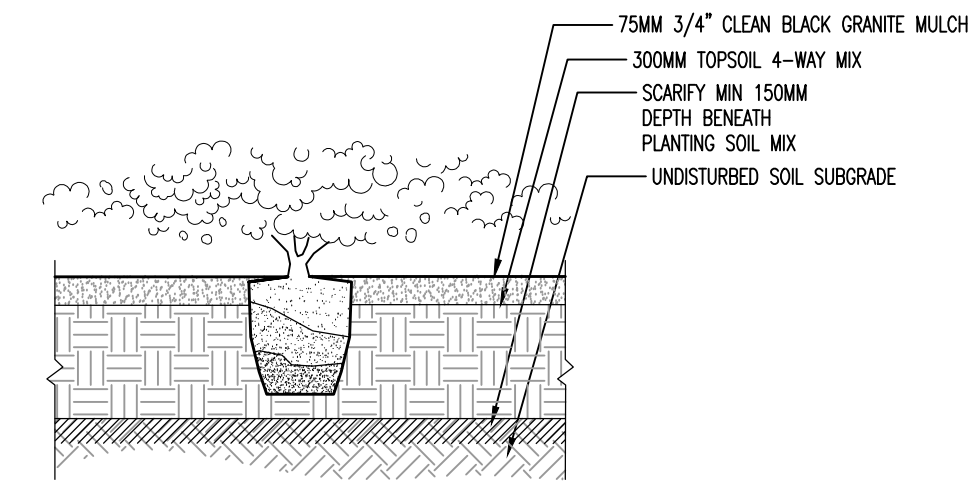
7 STEEL GRILL INSERT ELEVATION

SCALE 1:10 (@24x36)



9 PERENNIAL PLANTING, TYP.

SCALE 1:10 (@24x36)



8 STEEL GRILL INSERT SECTION

SCALE 1:10 (@24x36)

5	YY.MM.DD	-
4	YY.MM.DD	-
3	YY.MM.DD	-
2	YY.MM.DD	-
1	16.06.03	- ISSUED FOR CONSTRUCTION
No.	DATE	REVISION / ISSUANCE



Consultant
PLAIN PROJECTS LANDSCAPE ARCHITECTURE & ENVIRONMENTAL DESIGN
 562 Academy Road / Winnipeg, MB / R3N 0E3
 (204) 930 0272 / www.plainprojects.ca

Project
CRESCENT DRIVE PARK PAVILION

Sheet Title
DETAILS

Project No. _____ Sheet _____
 Date
 JUNE 2016

L501