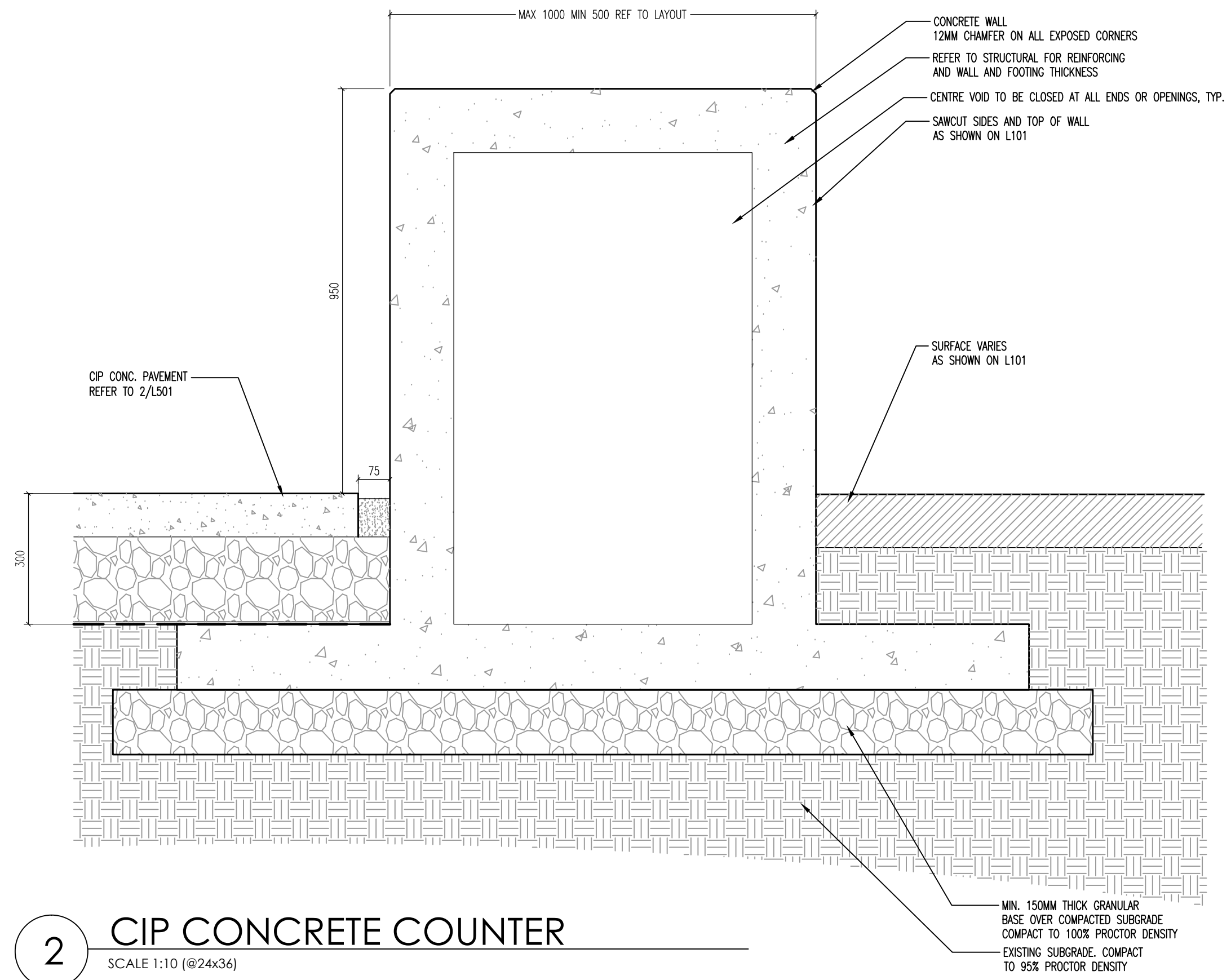
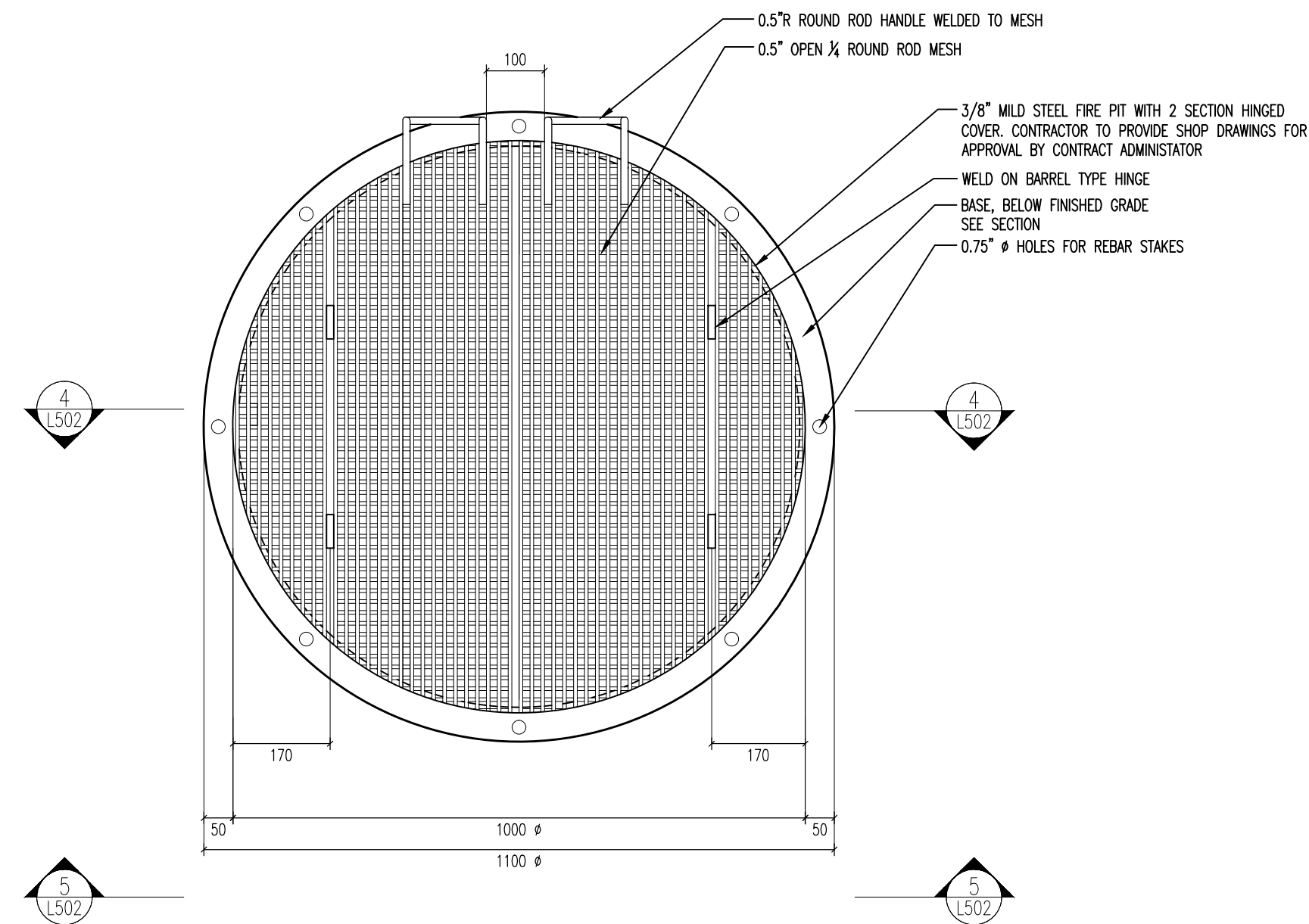


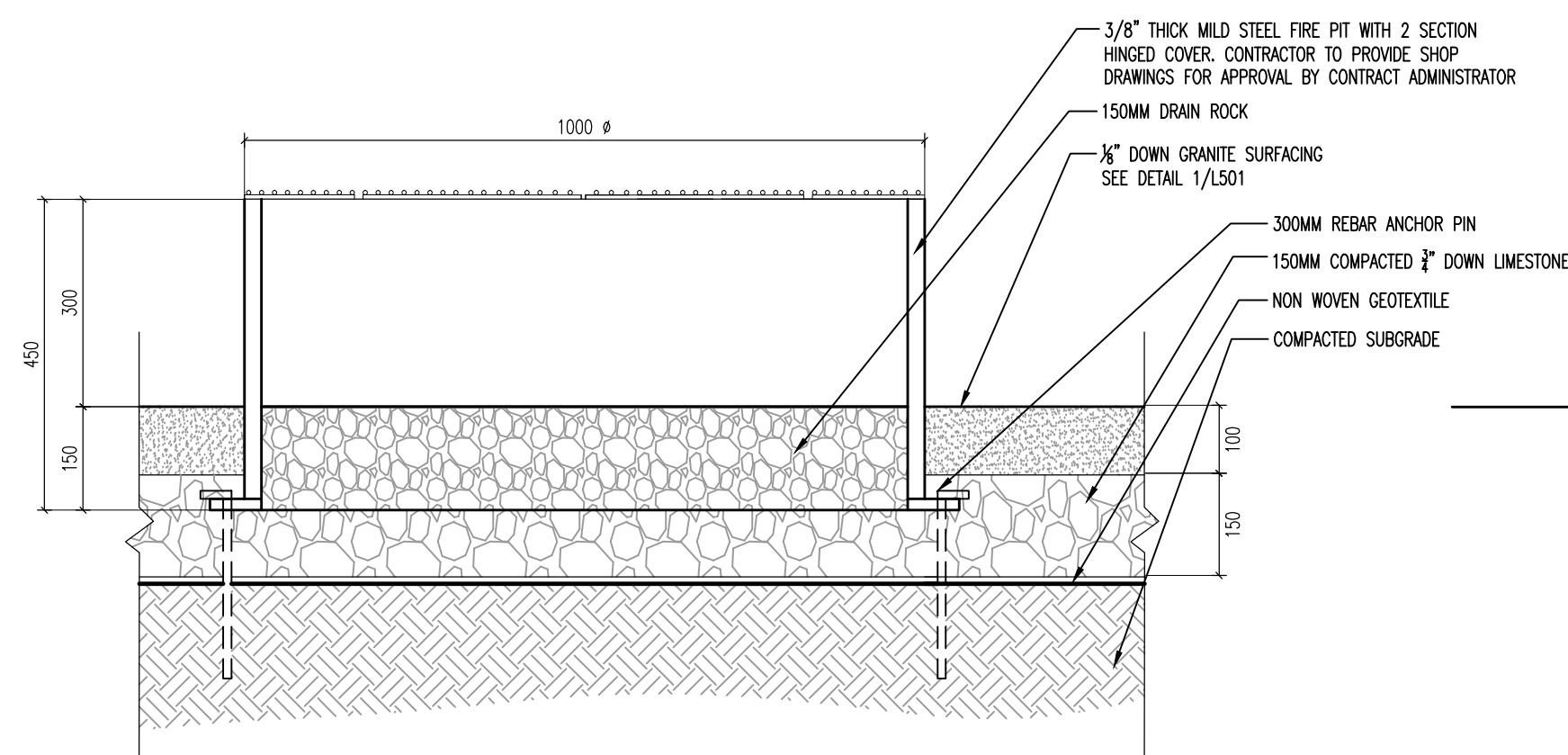
1 CIP CONCRETE SEAT WALL
SCALE 1:10 (@24x36)



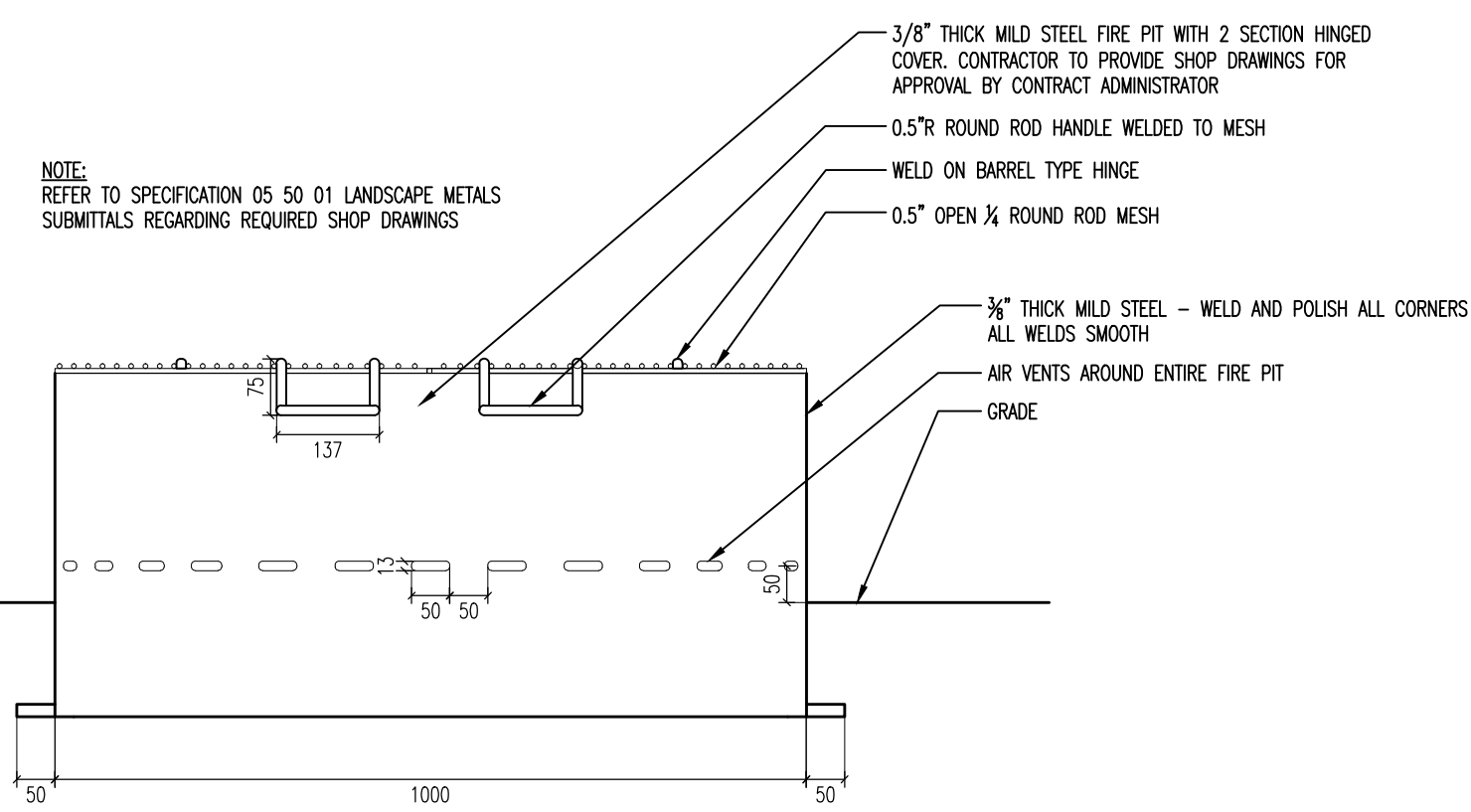
2 CIP CONCRETE COUNTER
SCALE 1:10 (@24x36)



3 CIRCULAR FIRE PIT PLAN
SCALE 1:10 (@24x36)



4 CIRCULAR FIRE PIT SECTION
SCALE 1:10 (@24x36)



5 CIRCULAR FIRE PIT ELEVATION
SCALE 1:10 (@24x36)

5	YY.MM.DD	-
4	YY.MM.DD	-
3	YY.MM.DD	-
2	YY.MM.DD	-
1	16.06.03	- ISSUED FOR CONSTRUCTION
No.	DATE	REVISION / ISSUANCE



Consultant
PLAIN PROJECTS
LANDSCAPE ARCHITECTURE & ENVIRONMENTAL DESIGN
562 Academy Road / Winnipeg, MB / R3N 0E3
(204) 930 0272 / www.plainprojects.ca

Project
CRESCENT DRIVE PARK PAVILION

Sheet Title
DETAILS

Project No. _____ Sheet _____
Date
JUNE 2016
L502