

CONCRETE WALL SCHEDULE:

CW-1: 200 x 1500 DP. CONC. WALL
 R/W 2-20M TOP & BOTT
 W/ 10M STRIRUPS @ 300 O/C
 W/ 3-15M HORIZ. MID EA. FACE

CW-2: 450 x 1500 DP. CONC. WALL
 R/W 3-20M TOP & BOTT
 W/ 10M STRIRUPS @ 300 O/C
 W/ 2-15M HORIZ. MID EA. FACE

CONC. SLAB SCHEDULE:

SL-1: 150 DP. THICKENED EDGE CONC. STRUCTURAL SLAB
 R/W 15M @ 12" O/C EA. WAY BOTT.
 W/ ADDN'L 2-20M TOP & BOTT. IN THICKENED EDGE

SL-2: 150 DP. CONC. STRUCTURAL SLAB
 R/W 15M @ 300 O/C EA. WAY BOTT.

SL-3: 175 DP. CONC. SLAB ON GRADE
 R/W 15M @ 12" O/C EA. WAY TOP
 W/ 600 x 150 DP. VOID FORM @ LEDGE ANGLE LOC'NS
 SEE PLAN FOR ALL LOC'NS

CONC. FOOTING SCHEDULE:

F-1: 760 x 300 DP. CONC. FOOTING
 R/W 4-15M CONT. L.D.
 W/ 15M @ 400 O/C S.D.
 W/ 10M HOOKED VERT. DOWELS @ 400 O/C
 ON MIN. 150 COMPACTED GRANULAR

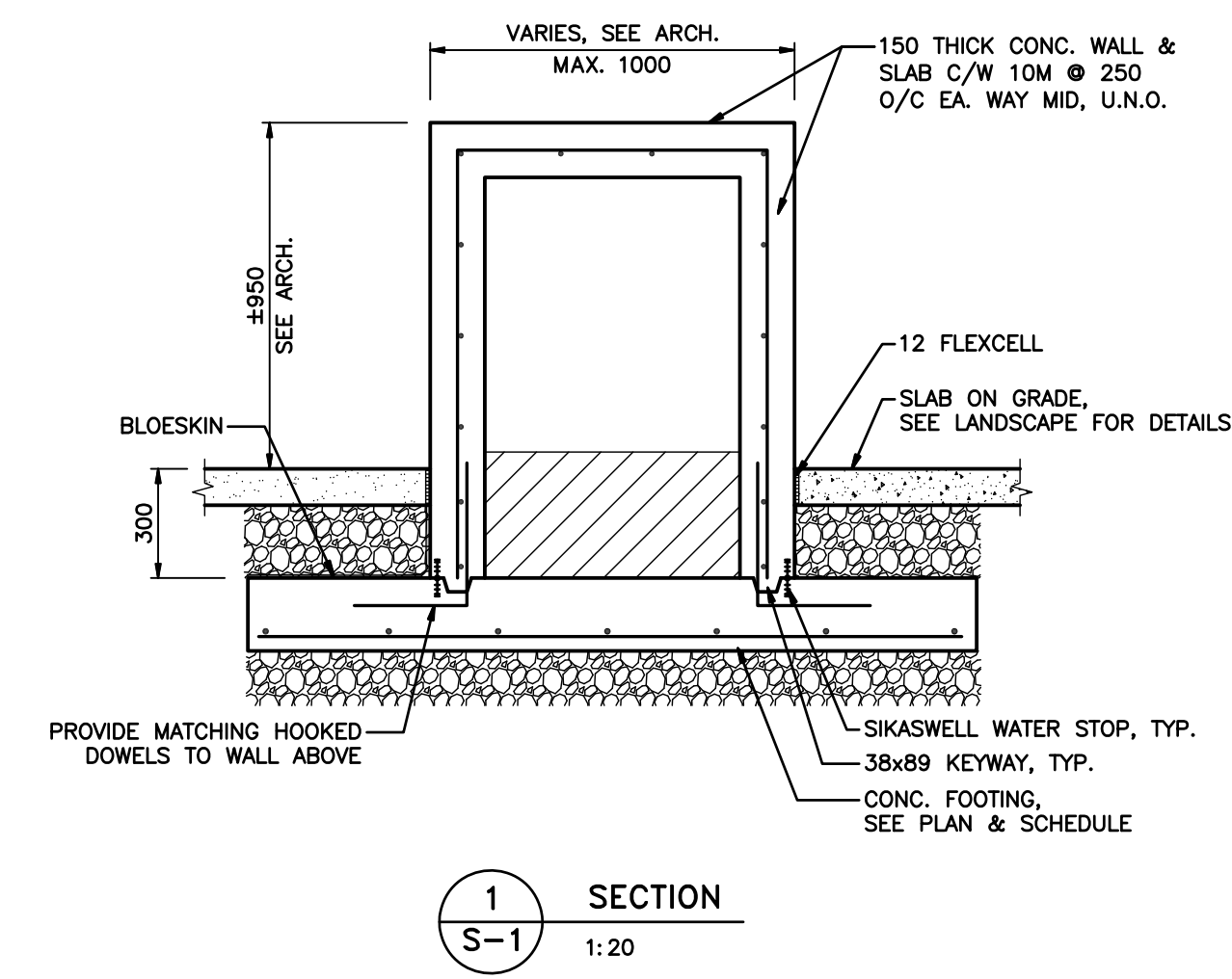
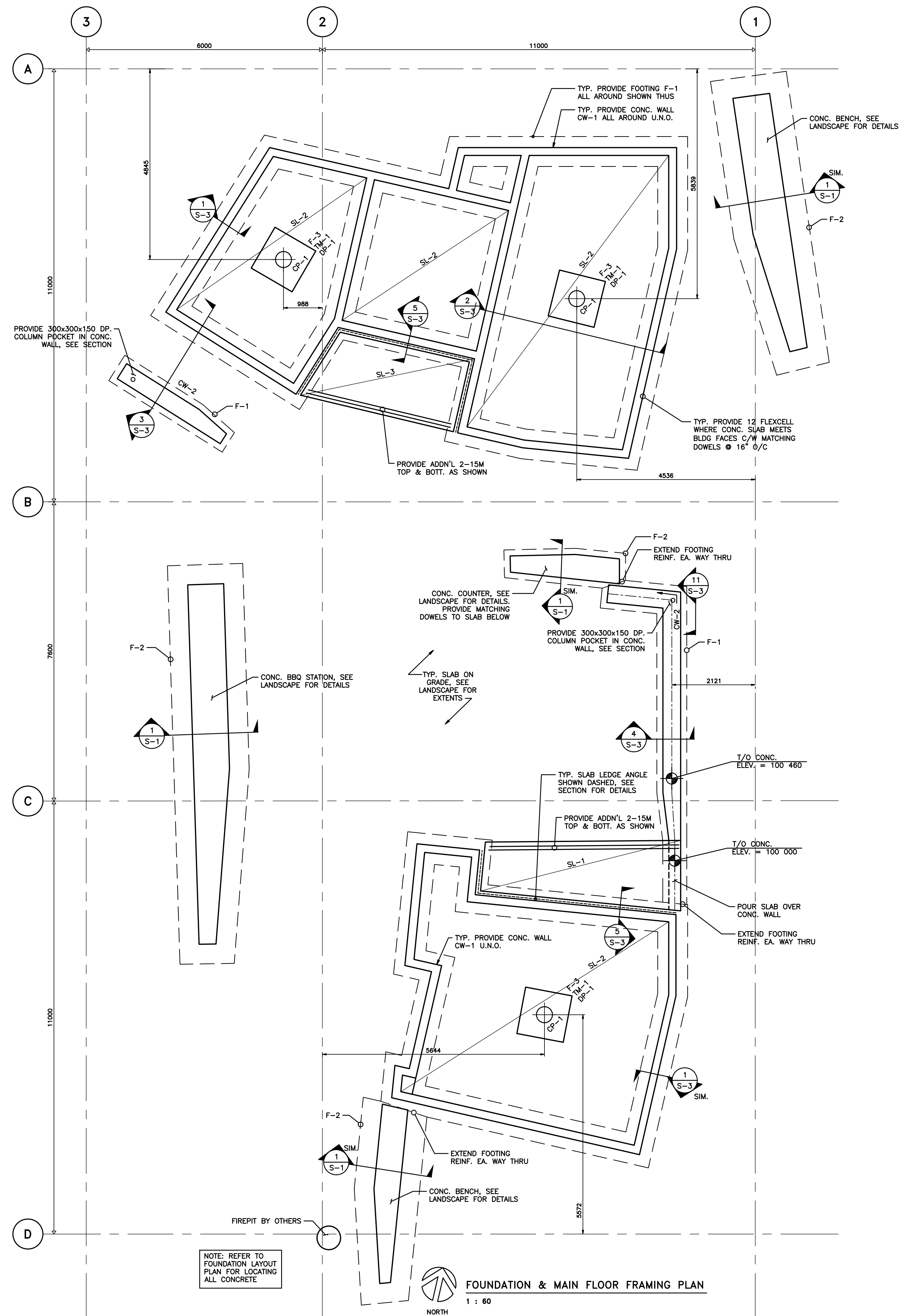
F-2: 2000 x 200 DP. CONC. FOOTING
 R/W 7-15M CONT. L.D.
 W/ 15M @ 400 O/C S.D.
 W/ 10M HOOKED VERT. DOWELS @ 400 O/C
 ON MIN. 150 COMPACTED GRANULAR

F-3: 1000x1000 x 300 DP. CONC. FOOTING
 R/W 6-15M HORIZ. EA. WAY BOTT.
 W/ 10M HOOKED VERT. DOWELS @ 400 O/C
 ON MIN. 150 COMPACTED GRANULAR

CONC. PIER SCHEDULE:

CP-1: 600# CONC. PIER
 R/W 5-15M VERT.
 W/ 10M RINGS @ 24" O/C
 TOP & BOTT. 2 RINGS @ 150 O/C
 W/ MATCHING DOWELS TOP & BOTT.

NOTE: ALL WOOD BEARING ON OR AGAINST
 CONCRETE TO BE PRESSURE TREATED.



No.	REVISION	DATE	BY
0	ISSUED FOR CONSTRUCTION	2016.07.06	JR

WOLFROM ENGINEERING LTD
 CONSULTING ENGINEERS
 3445 WARDLAW AVENUE
 WINNIPEG, CANADA R3L 0L5
 (204)452-0041 FAX: 284-8680
 E-Mail: info@wolfromeng.com

APECA
 Certificate of Authorization
 Wolfrom Engineering Ltd.
 No. 1156 Expiry: April 30, 2017



JOB TITLE
**CRESCENT DRIVE
 PARK PAVILION**
 WINNIPEG, MB.

DRAWING TITLE
**FOUNDATION &
 MAIN FLOOR
 FRAMING PLAN**

DRAWN BY	SCALE	DRAWING NO.
AVP	AS NOTED	S-1
FILE NO. W15085	DATE 2016.07.06	REVISION NO. 0