

SECTION 5
S-3
1:20

SECTION 6
S-3
1:20

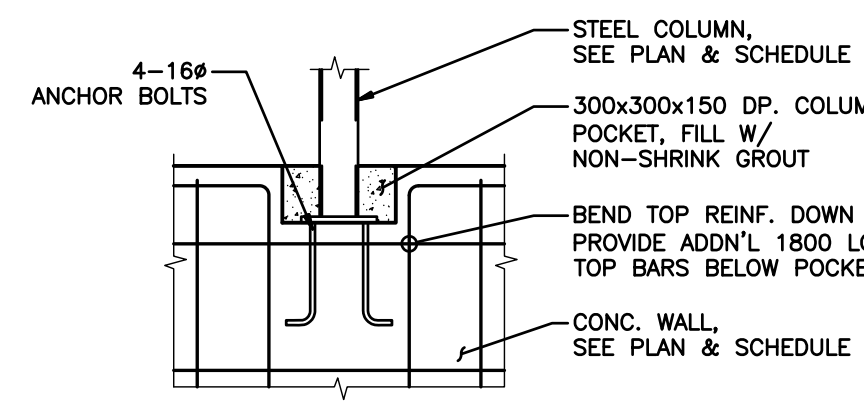
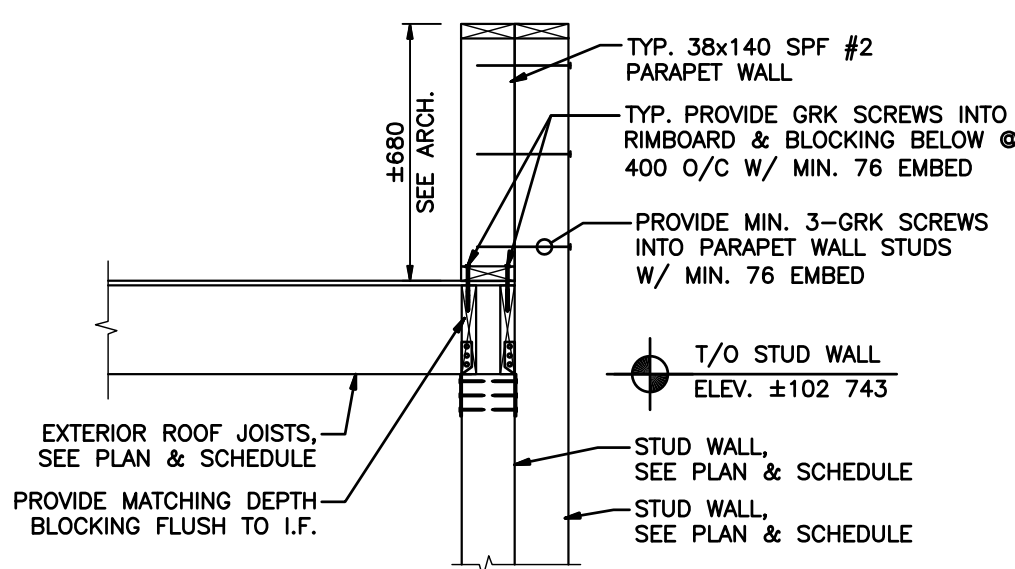
SECTION 7
S-3
1:20

SECTION 8
S-3
1:20

SECTION 9
S-3
1:20

No.	REVISION	DATE	BY
0	ISSUED FOR CONSTRUCTION	2016.07.06	JR

WOLFROM ENGINEERING LTD
CONSULTING ENGINEERS
3445 WARDLAW AVENUE
WINNIPEG, CANADA R3L 0L5
(204) 452-0041 FAX: 284-8680
E-Mail: info@wolfromeng.com



SECTION 10
S-3
1:20

SECTION 11
S-3
1:20

JOB TITLE
CRESCENT DRIVE PARK PAVILION
WINNIPEG, MB.

DRAWING TITLE
SECTIONS & DETAILS

DRAWN BY	SCALE	DRAWING NO.
AVP	AS NOTED	S-3
FILE NO.	DATE	REVISION NO. 0
W15085	2016.07.06	

