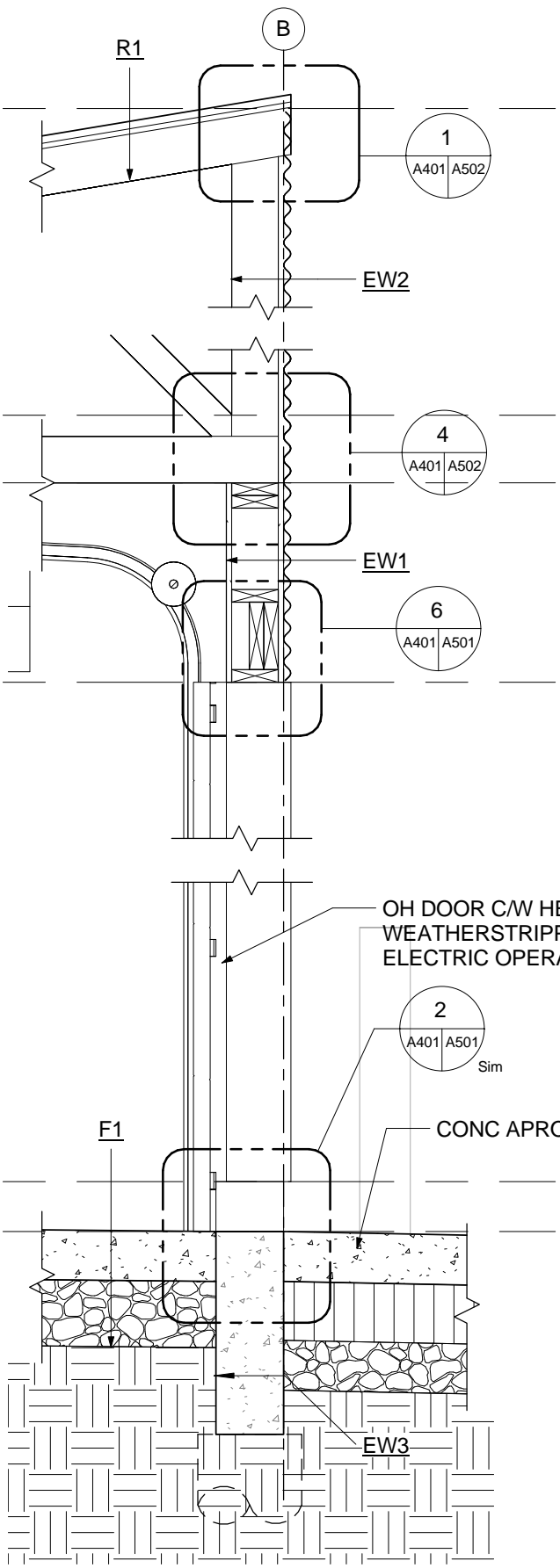
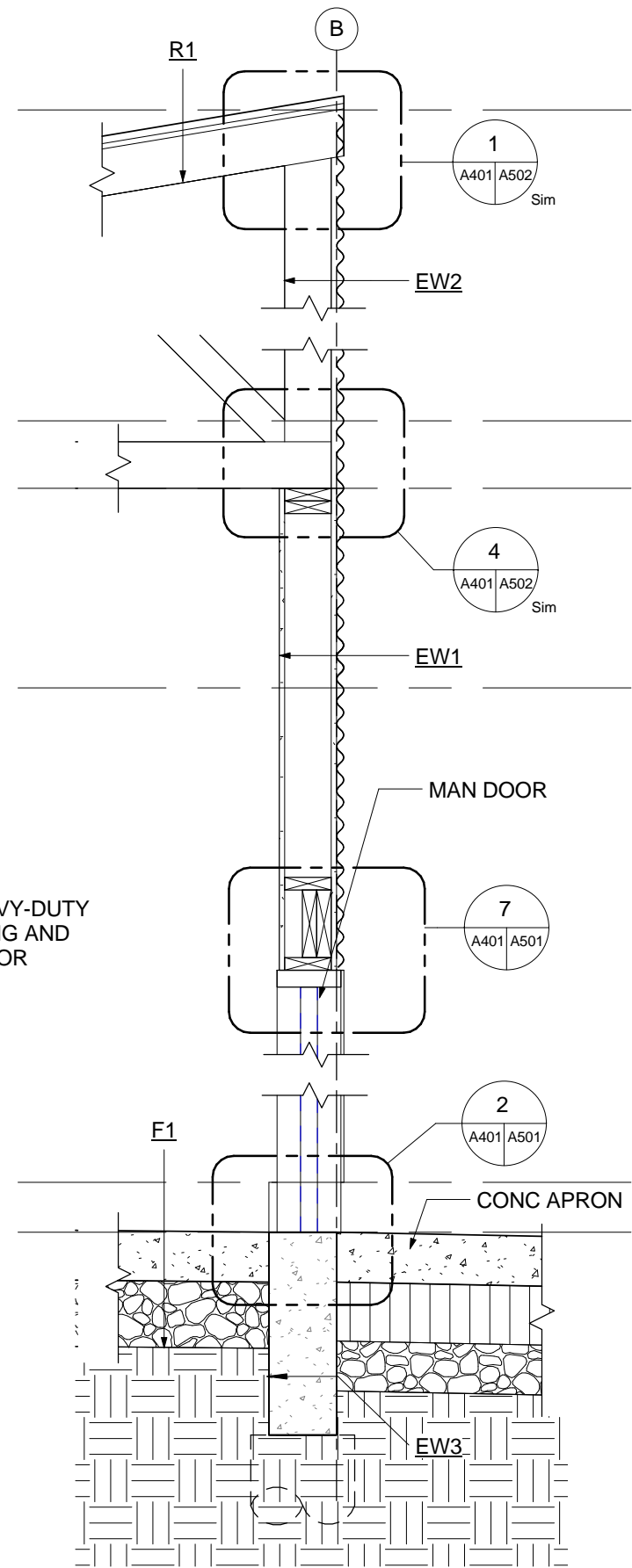


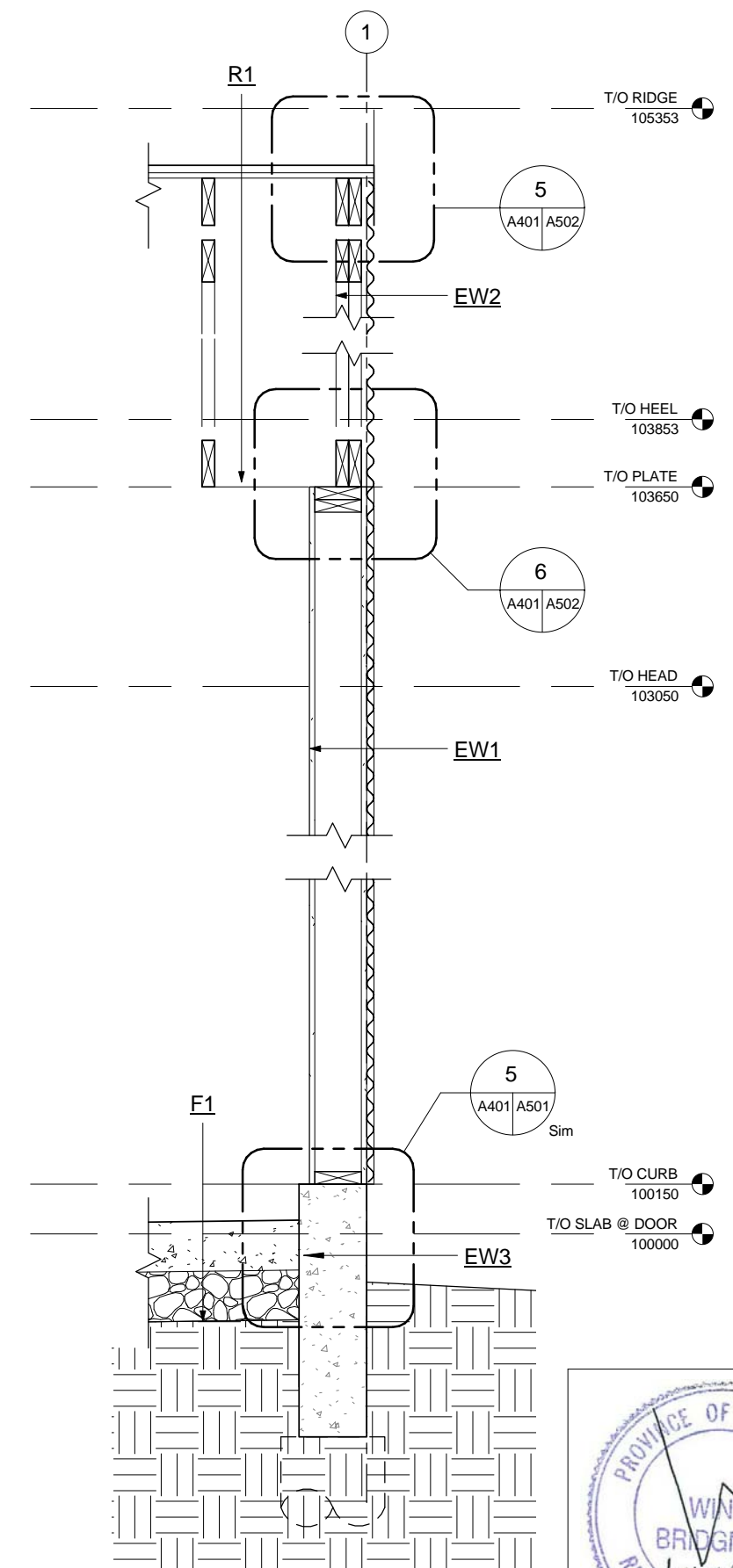
1 WALL SECTION AT EAVE (LOW)
1:20



2 WALL SECTION AT O/H DOOR
1:20



3 WALL SECTION AT MAN DOOR
1:20



4 WALL SECTION AT GABLE
1:20

T/O RIDGE
105353

T/O HEEL
103853

T/O PLATE
103650

T/O HEAD
103050

T/O CURB
100150

T/O SLAB @ DOOR
100000

