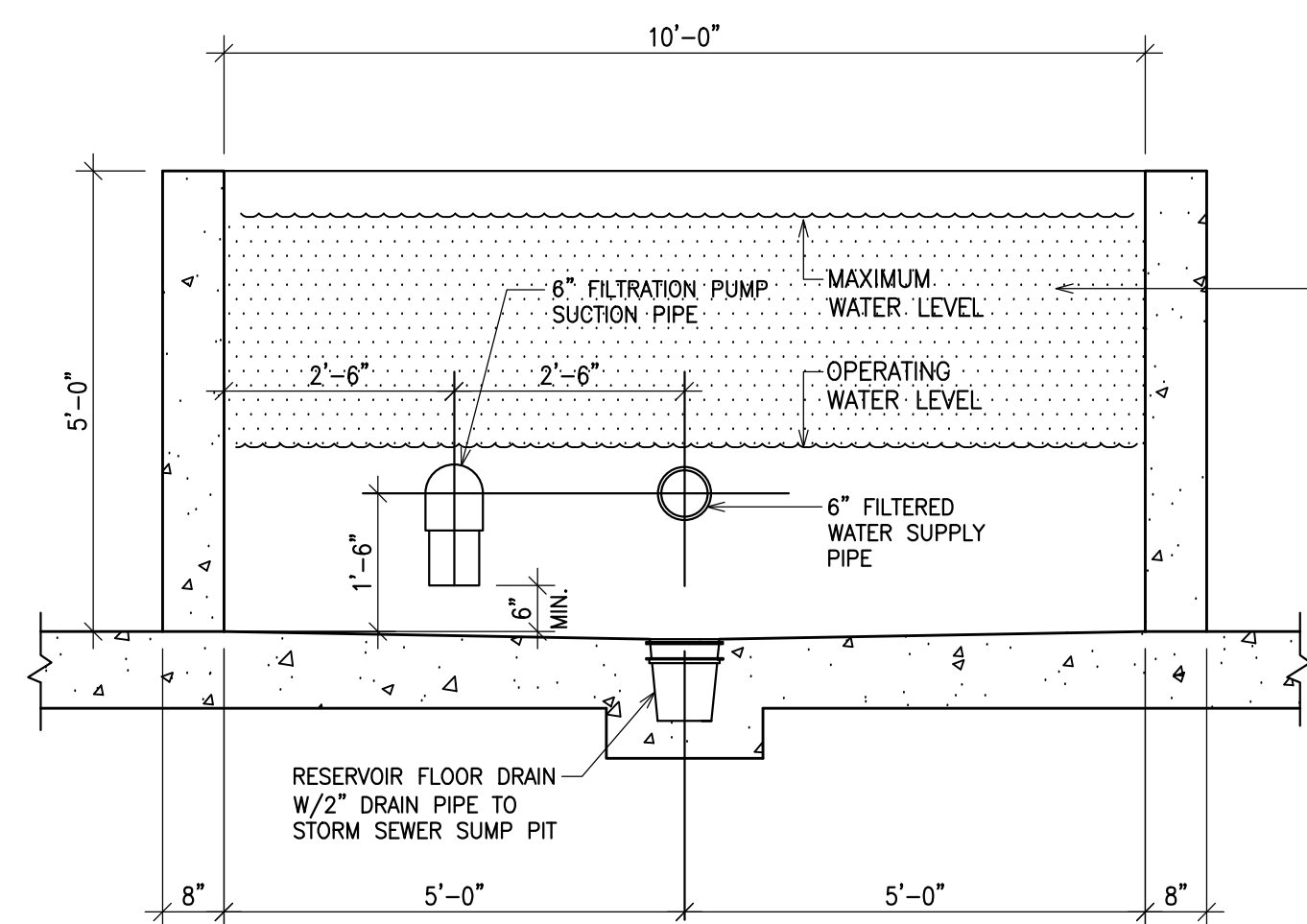


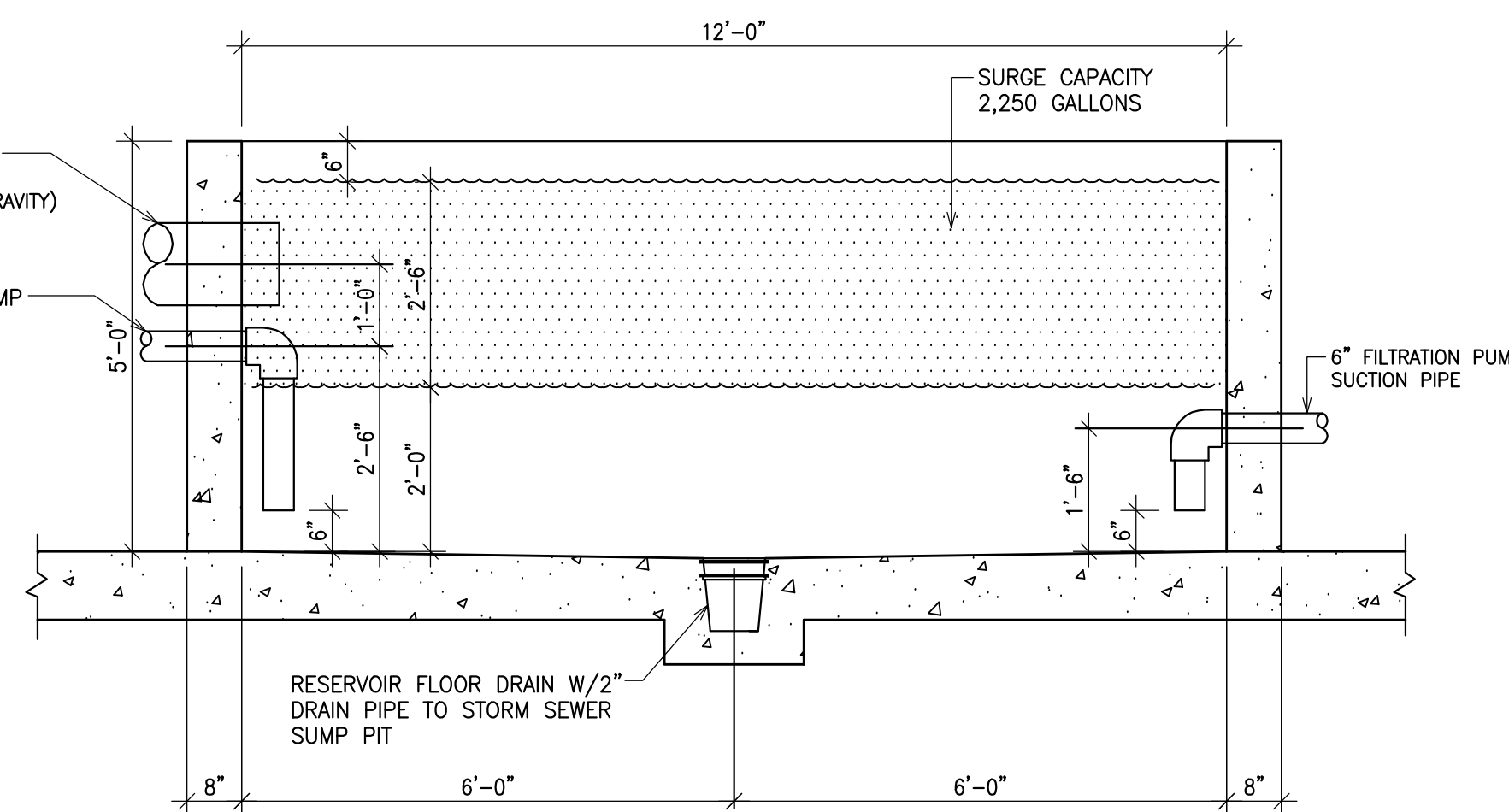
GENERAL NOTES

DRAWINGS AND SPECIFICATIONS AS INSTRUMENTS OF SERVICE ARE THE PROPERTY OF WESTERN RECREATION AND DEVELOPMENT INC. AND SHALL NOT BE USED, REPRODUCED, MODIFIED OR SOLD EITHER WHOLLY OR IN PART, WITHOUT THEIR PERMISSION. PATENT # CA2357509

SOME ITEMS DRAWN OR INDICATED ON THIS PLAN ARE NOT INCLUDED IN THE CONTRACT PRICE.



DATA		SPRAY PAD RESERVOIR
DIMENSIONS:	10'-0" x 12'-0"	
WATER DEPTH:	4'-6"	
CAPACITY:	4,050 GALLONS	
FLOW RATE:	405 GPM	
VOLUME TURN OVER RATE:	10 MINUTES	

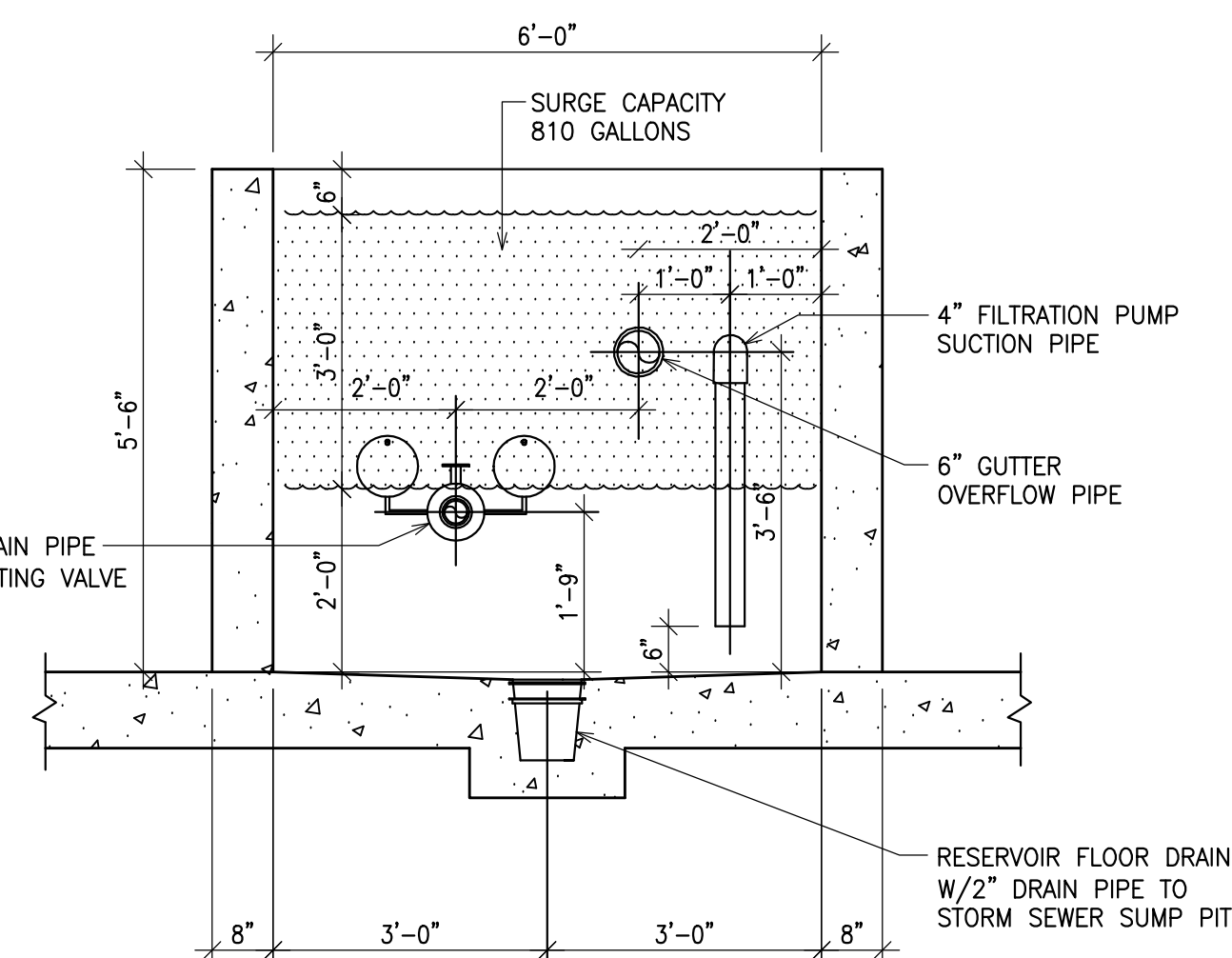


EQUIPMENT LIST - SPRAY PAD

ITEM	TYPE	QTY.	DESCRIPTION
(P1)	SPRAY PAD CIRC. PUMP W/ STRAINER LOCATION: MECH. ROOM	1	PENTAIR EQ 750, 7.5HP, 208V, 3 Phase, 400 USGPM @ 55ft. HD
(P2)	FEATURE PUMP W/ STRAINER - SPRAYS ON STRUCTURE	1	PENTAIR EQ 750, 7.5HP, 208V, 3 Phase, 420 USGPM @ 50ft. HD
(P3)	FEATURE PUMP W/ STRAINER - GROUND SPRAYS	1	PENTAIR EQ 500, 5.0HP, 208V, 3 Phase, 300 USGPM @ 50ft. HD
(P4)	FEATURE PUMP W/ STRAINER - TWISTER SLIDE	1	PENTAIR EQ 500, 5.0HP, 208V, 3 Phase, 250 USGPM @ 65ft. HD
(P5)	FEATURE PUMP W/ STRAINER - KMR SLIDE	1	PENTAIR MAX-E-PRO, 3.0HP, 208V, 3 Phase, 150 USGPM @ 55ft. HD
(F1)	SPRAY PAD FILTER	4	PENTAIR, HIGH RATE SAND FILTER, MODEL: TR 140, FILTRATION RATE: 14.28 GPM/SQ.FT.
(CAT1)	SPRAY PAD CHEMICAL CONTROLLER	1	HAYWARD CAT 2000, 110V 15 AMP PLUG
(C1)	SPRAY PAD CHLORINE CHEMICAL FEED PUMP	1	BLUE-WHITE, FLEXFLOW CHEMICAL FEED PUMP, 110V, 8 GPD CHLORINE, MODEL: A1N 20C-4T
(C2)	SPRAY PAD ACID CHEMICAL FEED PUMP	1	BLUE-WHITE, FLEXFLOW CHEMICAL FEED PUMP, 110V, 8 GPD ACID, MODEL: A1N 20C-4T
(CH1)	SPRAY PAD CHLORINE TANK	1	25 GALLONS ACID TANK
(PH1)	SPRAY PAD ACID TANK	1	25 GALLONS ACID TANK
(L1)	SPRAY PAD AUTO WATER LEVEL CONTROLLER	1	LEVELOR K1100, 115V/ 1 AMP PLUG
(WT1)	SPRAY PAD WATER RESERVOIR	1	10' X 12' X 4'-6" HIGH CONCRETE WATER RESERVOIR, CAPACITY: 4,050 US GALLONS
(UV1)	UV DESINFECTATION SYSTEM	1	HANOVA UV -1

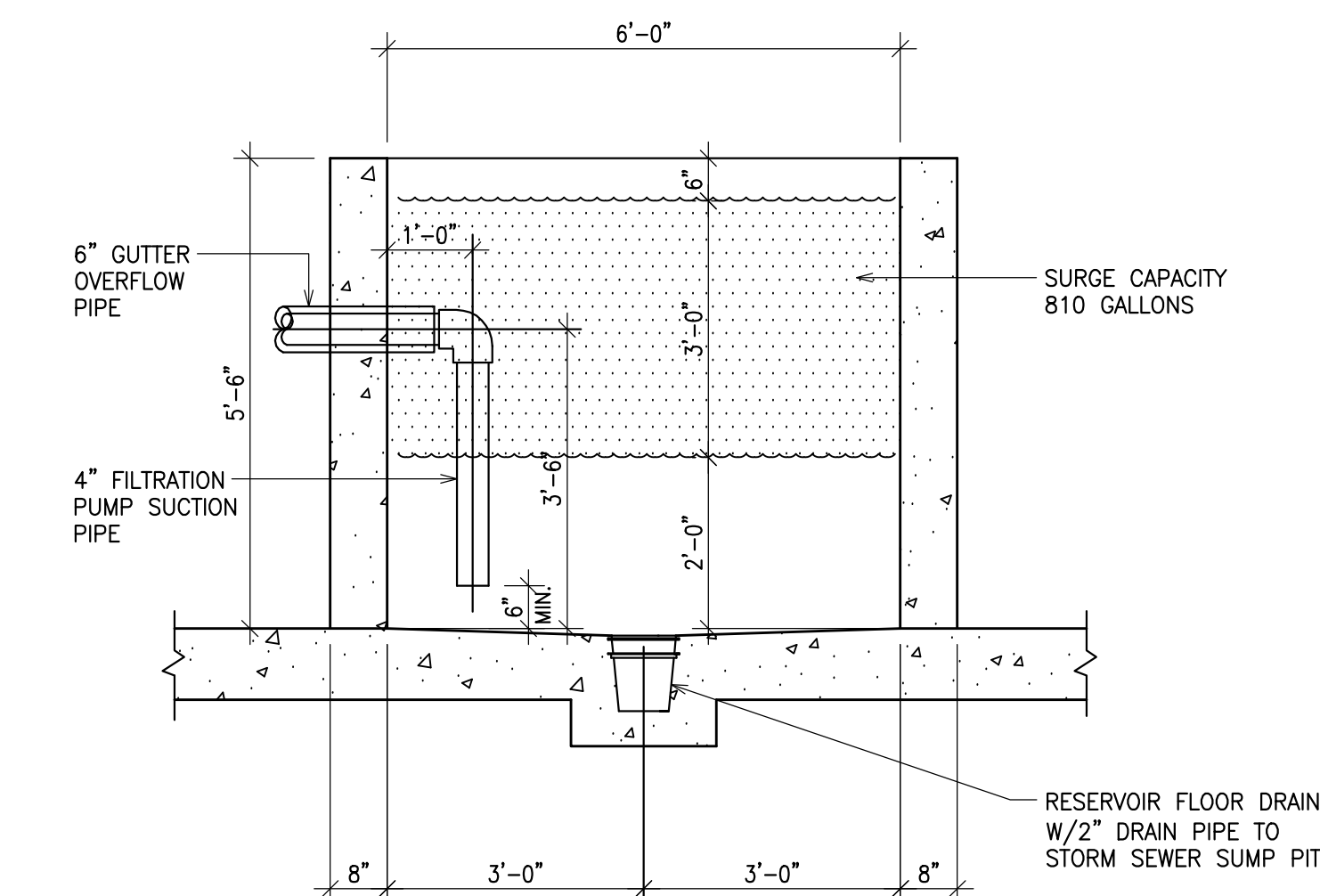
1 SPRAY PAD RESERVOIR CROSS SECTION
SP-2 1/2"=1'-0"

2 SPRAY PAD RESERVOIR LONGITUDINAL SECTION
SP-2 1/2"=1'-0"



DATA		POOL RESERVOIR
DIMENSIONS:	6'-0" x 6'-0"	
WATER DEPTH:	2'-6"	
CAPACITY:	1,350 GALLONS	
MINIMUM SURGE CAPACITY:	810 GALLONS	

DATA		POOL
SHAPE:	RECTANGLE	
DIMENSIONS:	21'-6" X 28'-0"	
PERIMETER:	99'	
WATER SURFACE AREA:	601 Sq.Ft.	
BATHER LOAD:	--	
WATER VOLUME:	10,500 GAL.	
WATER DEPTH:	2'-6"	
TURN OVER RATE:	60 MIN @ 175 USGPM	
FILTER RATE:	12.42 GPM /SQ.FT.	



EQUIPMENT LIST - POOL

ITEM	TYPE	QTY.	DESCRIPTION
(P6)	POOL CIRC. PUMP W/ STRAINER LOCATION: MECH. ROOM	1	PENTAIR MAX-E-PROFX, 3.0HP, 208V, 3 Phase, 175 USGPM @ 45ft. HD
(F2)	POOL FILTER	2	PENTAIR, HIGH RATE SAND FILTER, MODEL: TR 140, FILTRATION RATE: 12.42 GPM/SQ.FT.
(CAT2)	POOL CHEMICAL CONTROLLER	1	HAYWARD CAT 2000, 110V 15 AMP PLUG
(C3)	POOL CHLORINE CHEMICAL FEED PUMP	1	BLUE-WHITE, FLEXFLOW CHEMICAL FEED PUMP, 110V, 8 GPD CHLORINE, MODEL: A1N 20C-4T
(C4)	POOL ACID CHEMICAL FEED PUMP	1	BLUE-WHITE, FLEXFLOW CHEMICAL FEED PUMP, 110V, 8 GPD ACID, MODEL: A1N 20C-4T
(CH2)	POOL CHLORINE TANK	1	25 GALLONS ACID TANK
(PH2)	POOL ACID TANK	1	25 GALLONS ACID TANK
(L2)	POOL AUTO WATER LEVEL CONTROLLER	1	LEVELOR K1100, 115V/ 1 AMP PLUG
(WT2)	POOL WATER RESERVOIR	1	84" X 126", 42" HIGH WATER / SURGE TANK, CAPACITY: 1,325 US GALLONS
(UV2)	UV DESINFECTATION SYSTEM	1	HANOVA UV -1

3 POOL RESERVOIR SECTION
SP-2 1/2"=1'-0"

4 POOL RESERVOIR SECTION
SP-2 1/2"=1'-0"

2.	ADDENDUM 1	08.16.16
1.	ISSUED FOR CONSTRUCTION	07.15.16
No.	REVISION	DATE

FIRM NAME AND ADDRESS
Western Recreation & Development Inc.
191 Eagle Dr
Winnipeg, Manitoba R2R 1V4
Tel : 1-204-633-7209
Fax: 1-204-633-9293
E-mail: info@waterparks.ca
www.waterparks.ca



PROJECT NAME AND ADDRESS
SEVEN OAKS POOL RENOVATION AND ADDITION
WINNIPEG MANITOBA

DRAWING	SHEET
RESERVOIR SECTIONS & DATA	SP-2
DATE	CHECKED BY
AUGUST 16 /2016	B.D.
SCALE	DRAWN BY
AS SHOWN	A.C.