

Issue / rev.	date	issue notes
3	2016/08/24	RE-ISSUED FOR CONSTRUCTION
2	2016/08/18	RE-ISSUED FOR CONSTRUCTION
1	2016/07/27	RE-ISSUED FOR CONSTRUCTION
0	2016/07/15	ISSUED FOR CONSTRUCTION
#		date issue notes

professional seals



project information

SEVEN OAKS POOL
444 Adsum Drive
Winnipeg, MB
Canada

client

City of Winnipeg
4th Floor - 86 King Street
Winnipeg, MB

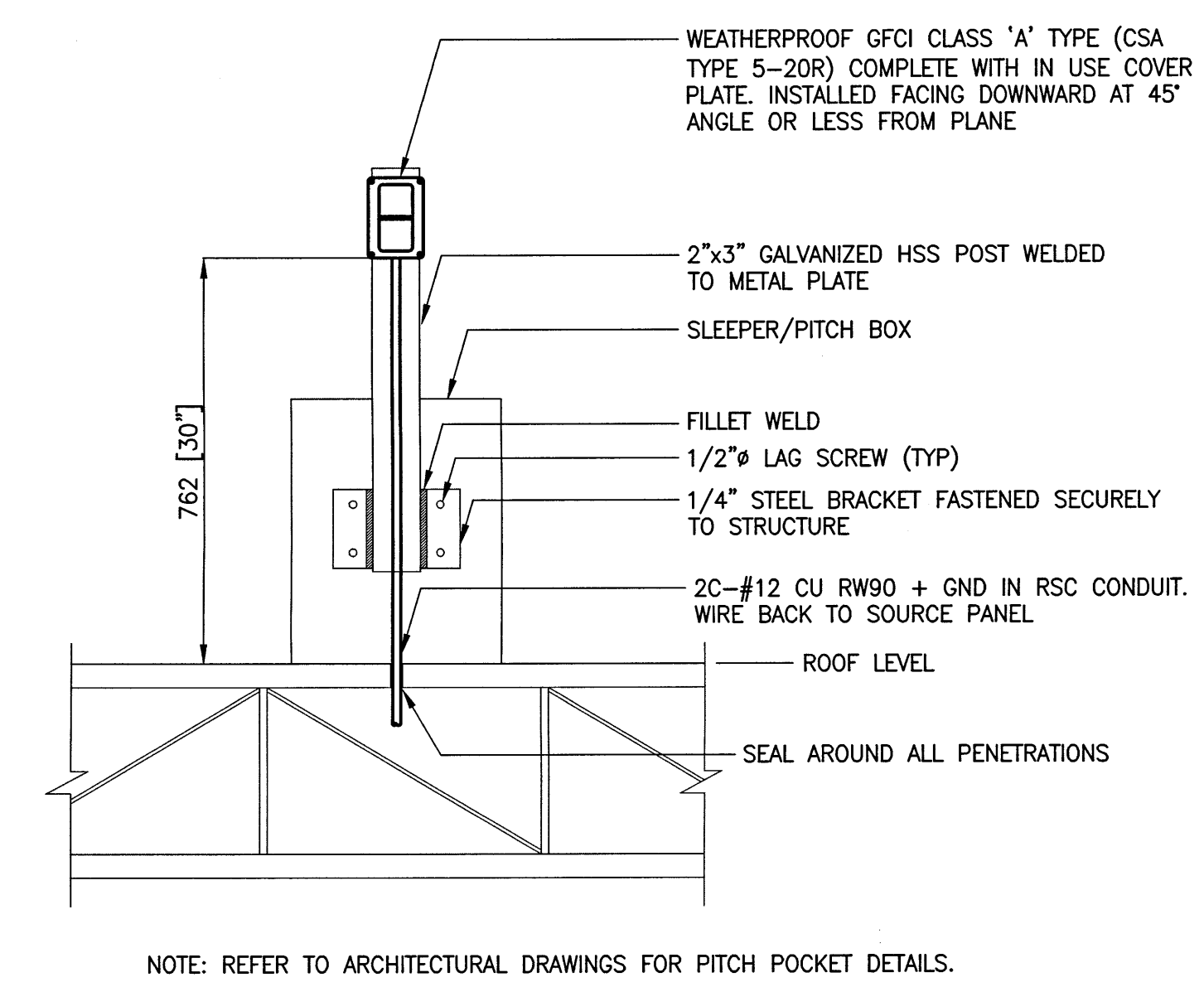
drawing information

ELECTRICAL SCHEMATIC DIAGRAMS AND DETAILS

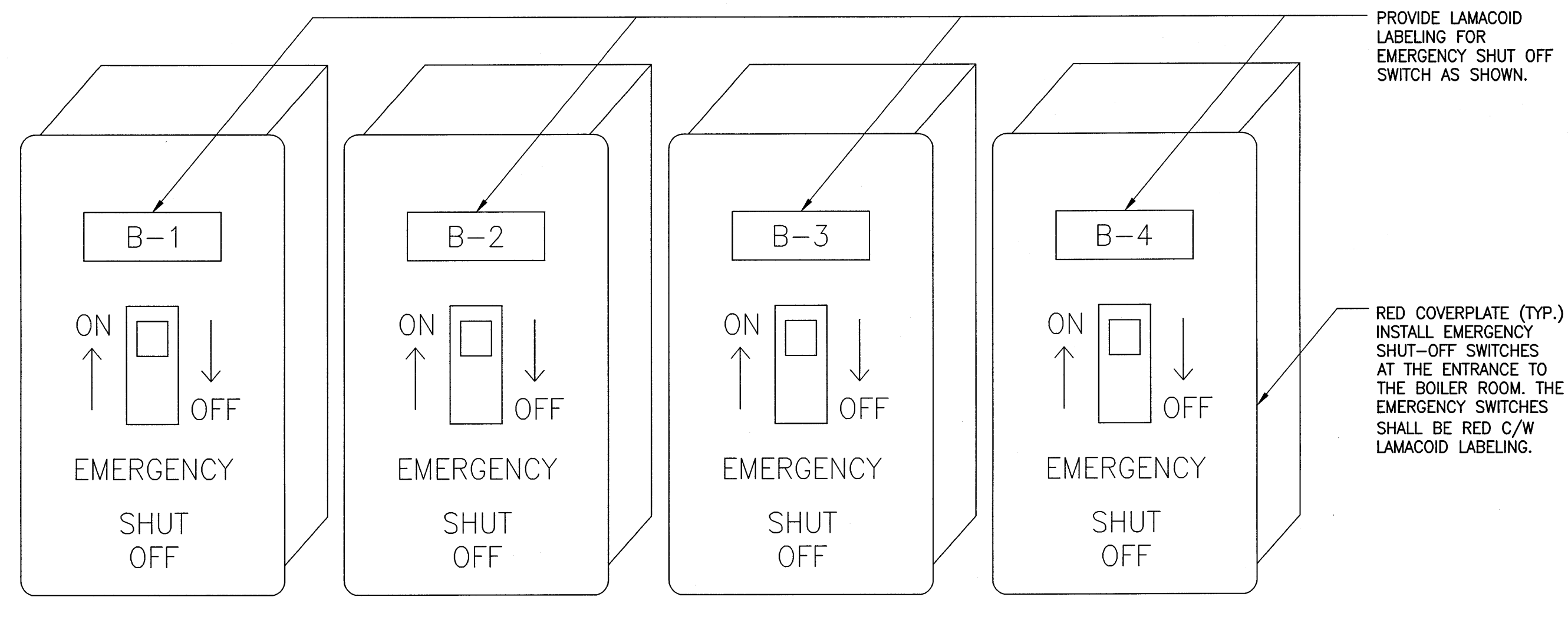
drawn by: GCN
approved by:

scale: AS NOTED
date issued: 2016.07.15
proj #: 14-1736-008
sheet: E6 01

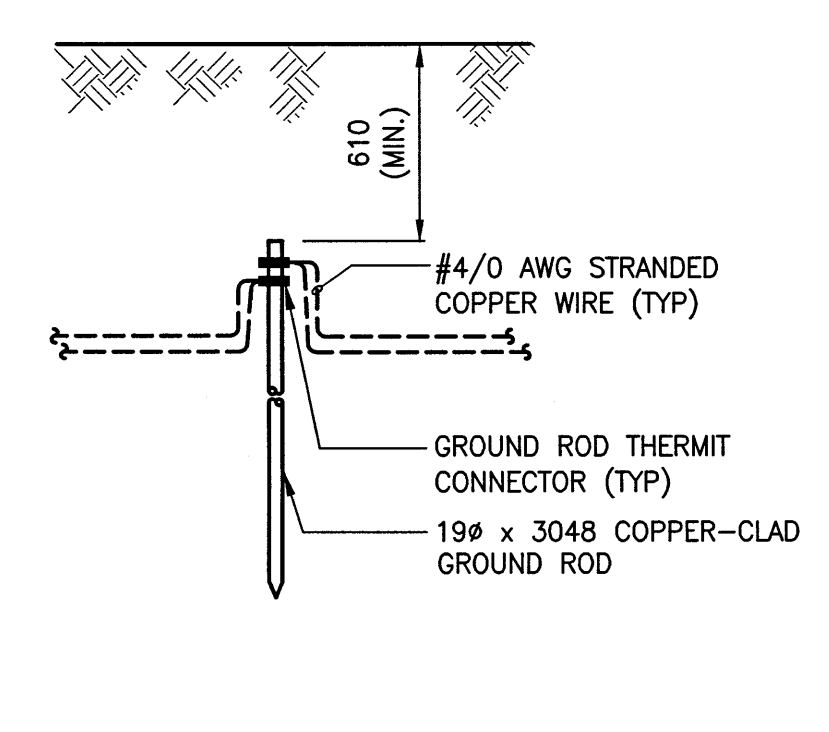
This drawing must not be scaled. The contractor shall verify all dimensions and other data on site prior to commencement of work. All discrepancies, errors, and omissions are to be reported to the architect. Drawing and specifications, as instruments of service, are the property of the architect. No reproduction may be made without the permission of the architect, and when made, must bear his name. All prints to be returned to the architect on request.



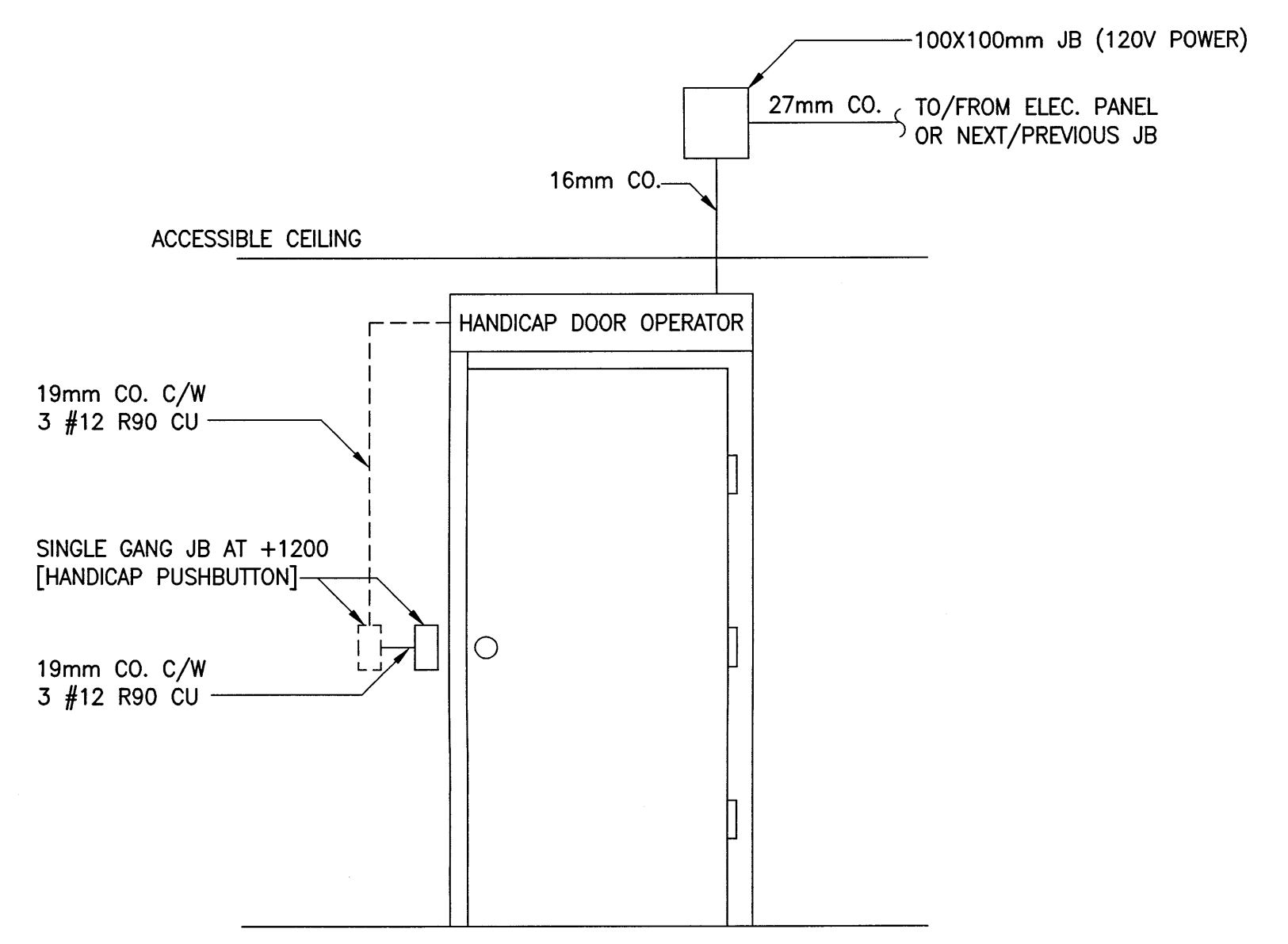
A MECHANICAL ROOF TOP EQUIPMENT RECEPTACLE
SCALE: 1:10mm (24"x36")



B BOILER GAS EMERGENCY SHUT OFF SWITCH
SCALE: N.T.S.

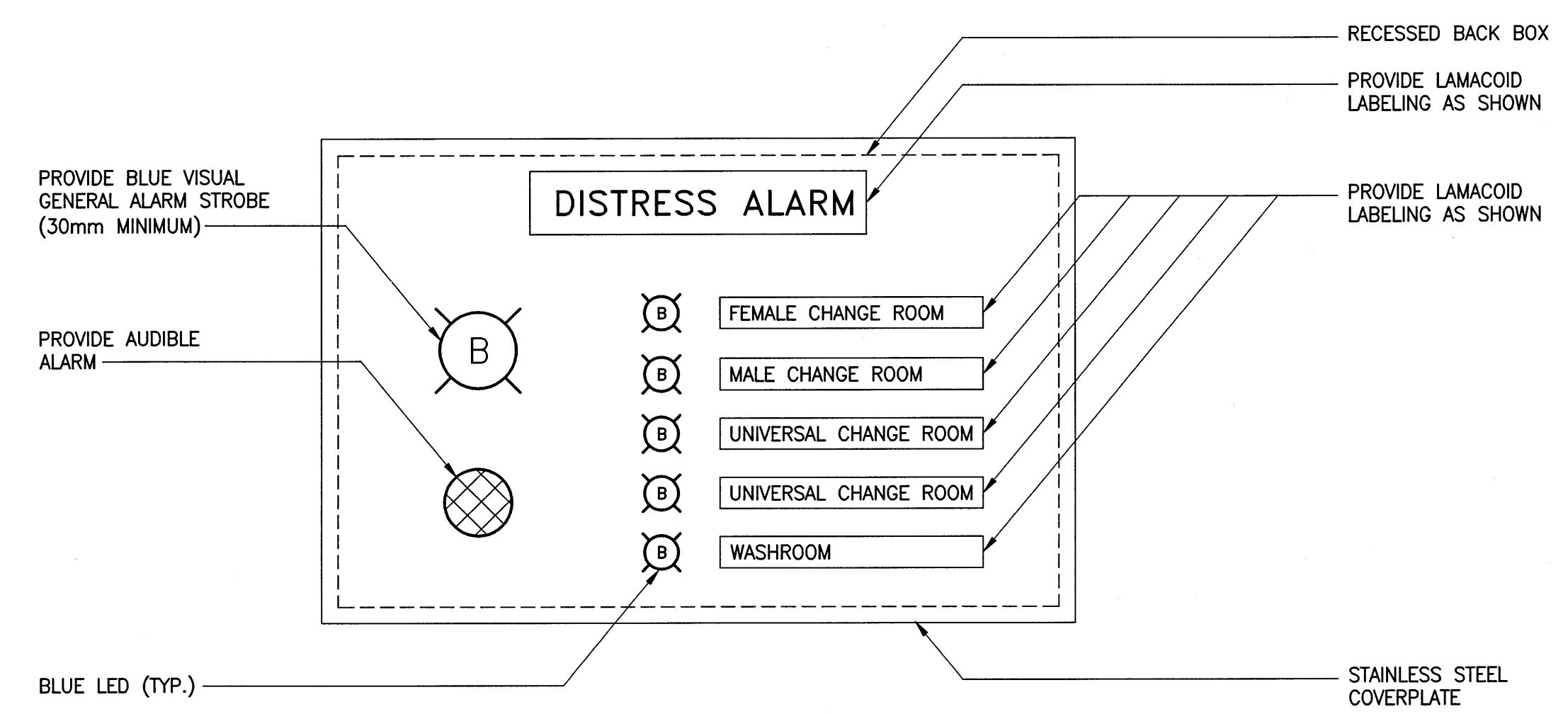


E GROUND ROD DETAIL
SCALE: N.T.S.



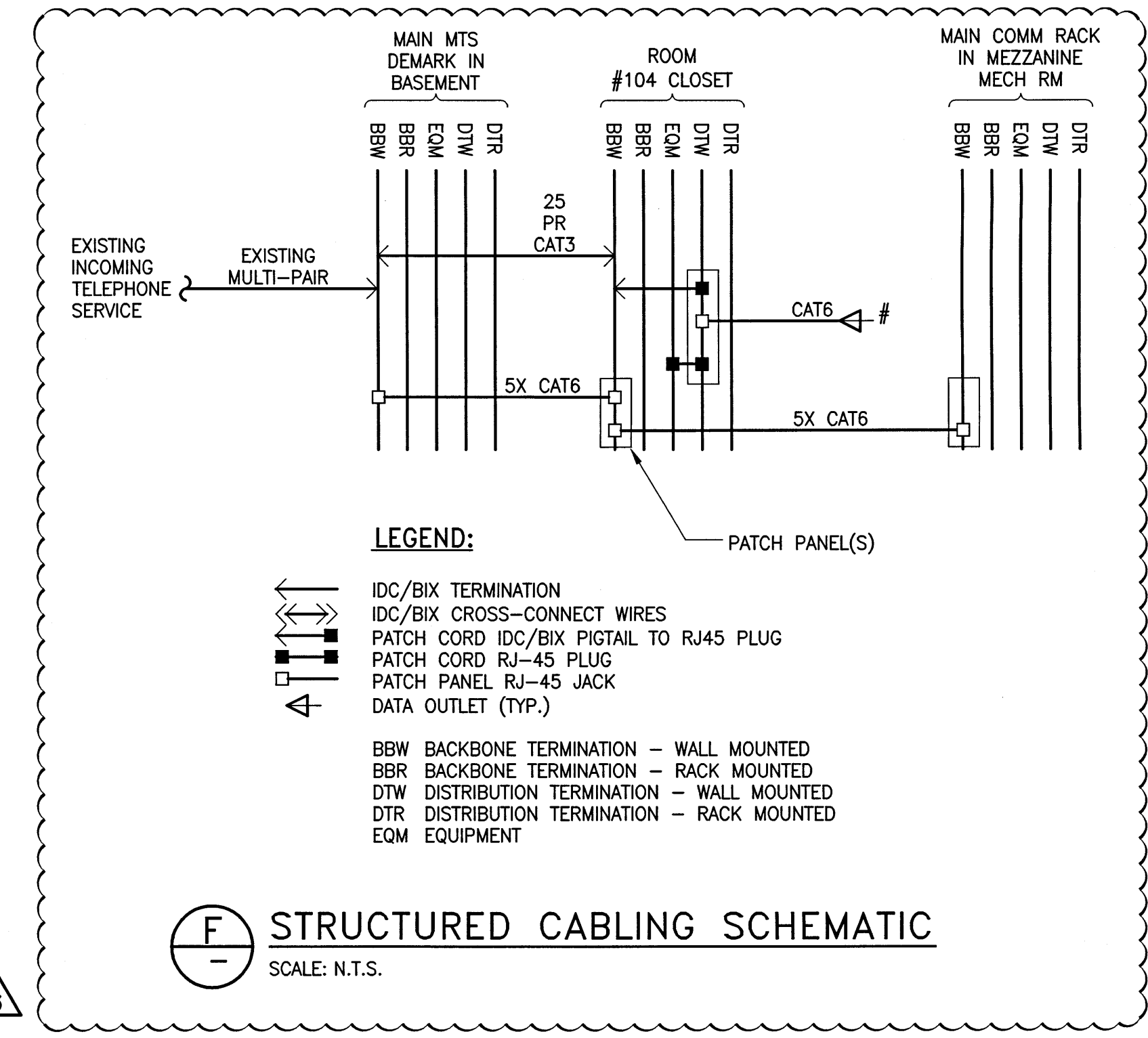
NOTES:
1. EC TO MAKE ALL CONNECTIONS AND INSTALL ALL DEVICES AS SUPPLIED BY THE HARDWARE CONTRACTOR. PROVIDE ALL LOW VOLTAGE WIRING AND REQUIRED POWER SUPPLIES. (INCLUDE WIRING AND POWER FOR ELECTRIC STRIKE AND LATCH BOLT MONITOR DEVICES WHERE APPLICABLE).

C HANDICAP DOOR DETAIL
SCALE: N.T.S.

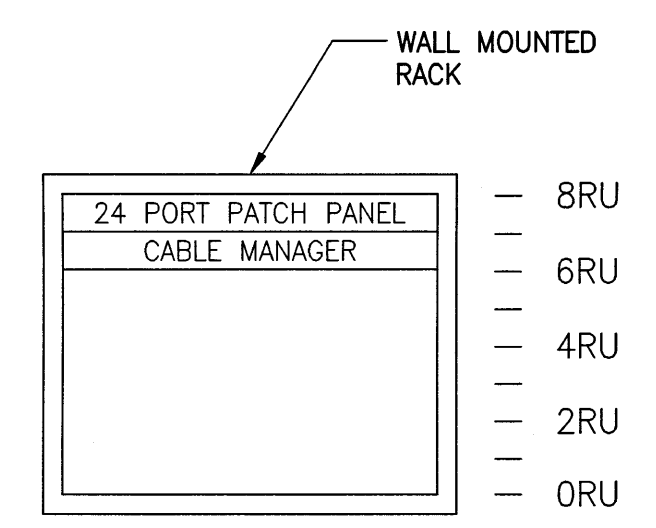


- NOTES:**
1. CONTRACTOR SHALL SUBMIT SHOP DRAWINGS INCLUDING WIRING DIAGRAM TO ENGINEER FOR REVIEW.
 2. PUSH BUTTONS IN WASHROOMS/CHANGE ROOMS SHALL TRIGGER THE GENERAL ALARM STROBE, THE AUDIBLE ALARM AND THE LED INDICATING THAT ROOM ON THE CONTROL PANEL.
 3. RESET OF ALARM IS ONLY BY THE SAME PUSHBUTTON IN THE WASHROOM/CHANGE ROOM.
 4. CONTRACTOR TO ENSURE CONTROL PANEL IS FULLY RECESSED AND FLUSH WITH NEW WALL FINISH. BACK BOX SHALL BE COORDINATED AT TIME OF SHOP DRAWING STAGE WITH GENERAL CONTRACTOR PRIOR TO WALL CONSTRUCTION.

D DISTRESS ALARM PANEL
SCALE: N.T.S.



F STRUCTURED CABLING SCHEMATIC
SCALE: N.T.S.



G PROPOSED TELECOM RACK LAYOUT
SCALE: N.T.S.

File Name: P:\Projects\2014\14-1736-008\Elec\14-1736-008_EE-01.dwg - Tab: EE-01 Plotted By: dderochs 16/08/25 [Thu 8:35am]