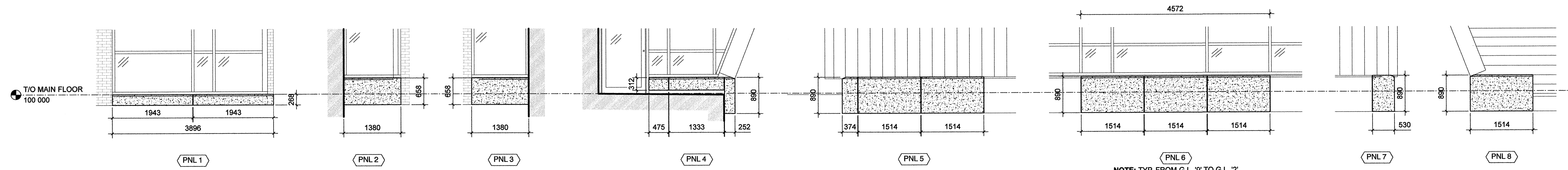


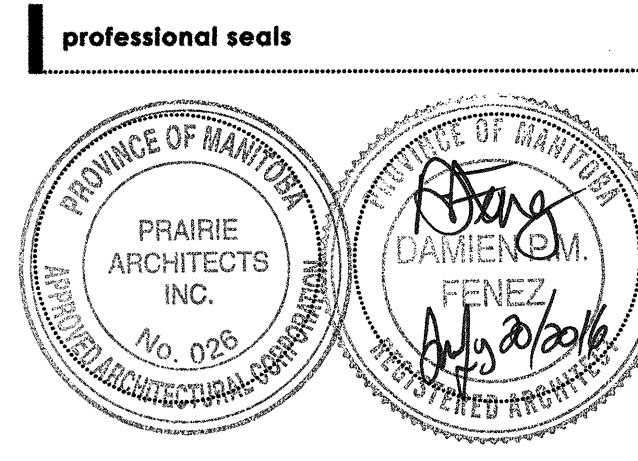
1 GLAZING SCHEDULE
1:50



2 CONCRETE PANEL SCHEDULE
1:50

NOTE: TYP. FROM G.L. '9' TO G.L. '2'

Issue / rev.	date	issue notes
4	2016.07.15	ISSUED FOR CONSTRUCTION
3	2016.06.13	99% REVIEW



project information

SEVEN OAKS POOL RENOVATION & ADDITION

444 ADSUM DRIVE
WINNIPEG, MB
CANADA

client

drawing information

CITY OF WINNIPEG
4TH FLOOR - 85 KING ST.
WINNIPEG, MB

GLAZING SCHEDULE

drawn by: **LW**
approved by: **DF**

scale: **1:50**
date issued: **2016.07.15**
proj. #: **2014.66**
rev. #: **R-0**

SEVEN OAKS POOL RENOVATION & ADDITION
BID OPPORTUNITY NO. 645-2016

A3 02

This drawing must not be sealed. The contractor shall verify all dimensions and other data on site prior to commencement of work. All discrepancies, errors, and omissions are to be reported to the architect. Drawing and specifications are instruments of service, and instruments of service are the property of the architect. No reproduction may be made without the permission of the architect, and when made, must bear the name of the architect on request.