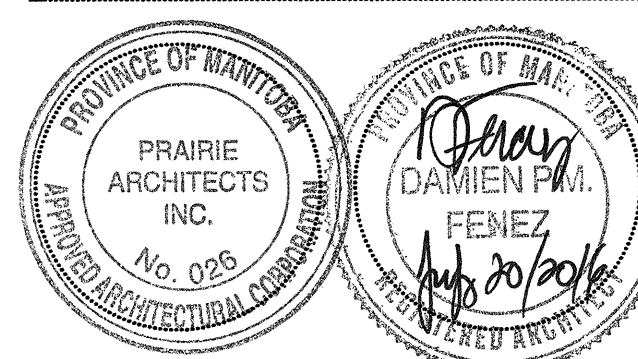


Issue / rev.	date	issue notes
4	2016.07.15	issued for construction
3	2016.06.13	issued for 99% review
2	2015.12.02	issued for class 1 pricing
#	date	issue notes

professional seals



project information

SEVEN OAKS POOL RENOVATION & ADDITION

444 ADSUM DRIVE
WINNIPEG, MB
CANADA

client

CITY OF WINNIPEG
4TH FLOOR - 85 KING ST.
WINNIPEG, MB

drawing information

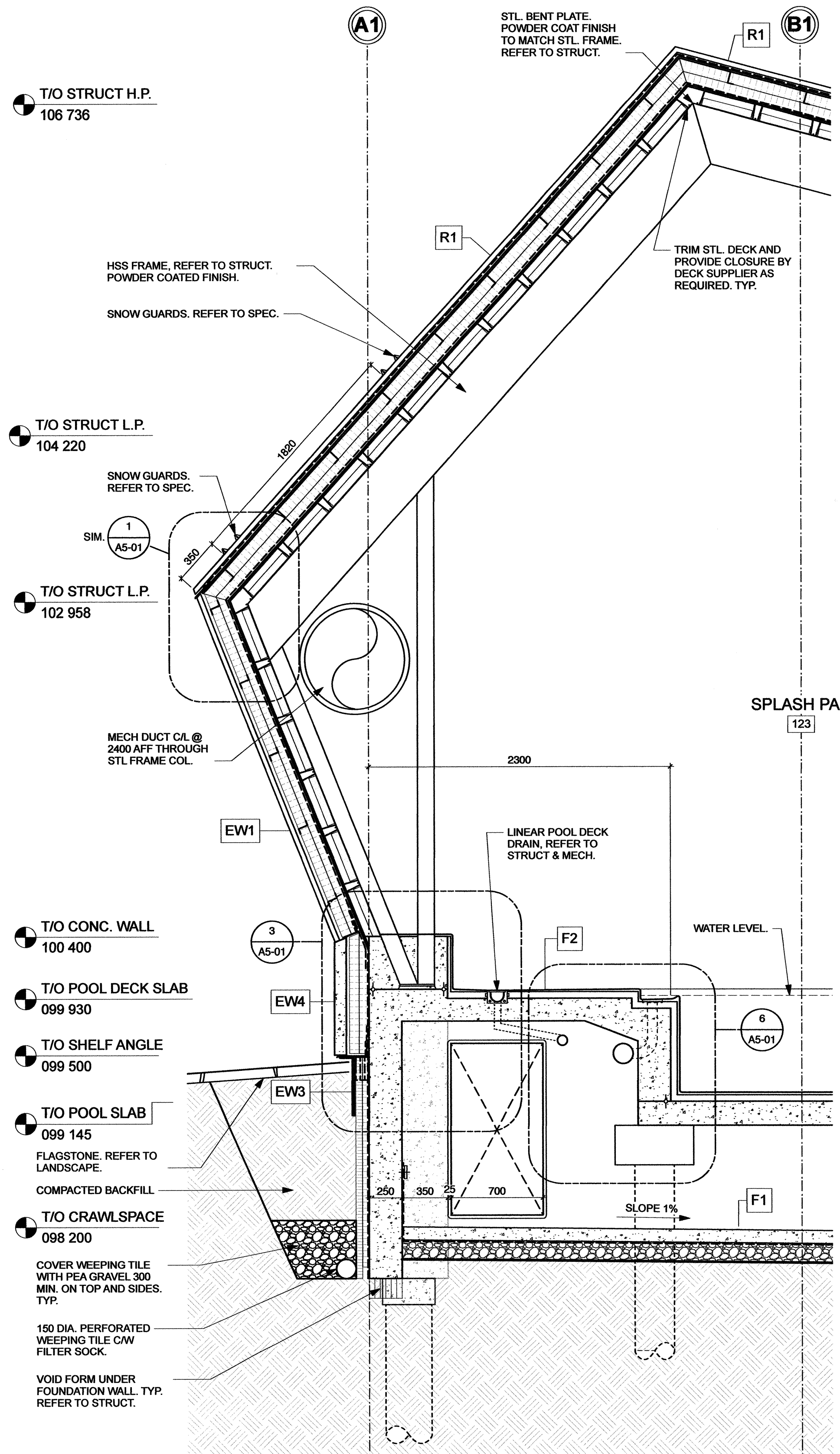
WALL SECTIONS

drawn by: **LW/JDB**
approved by: **DF**

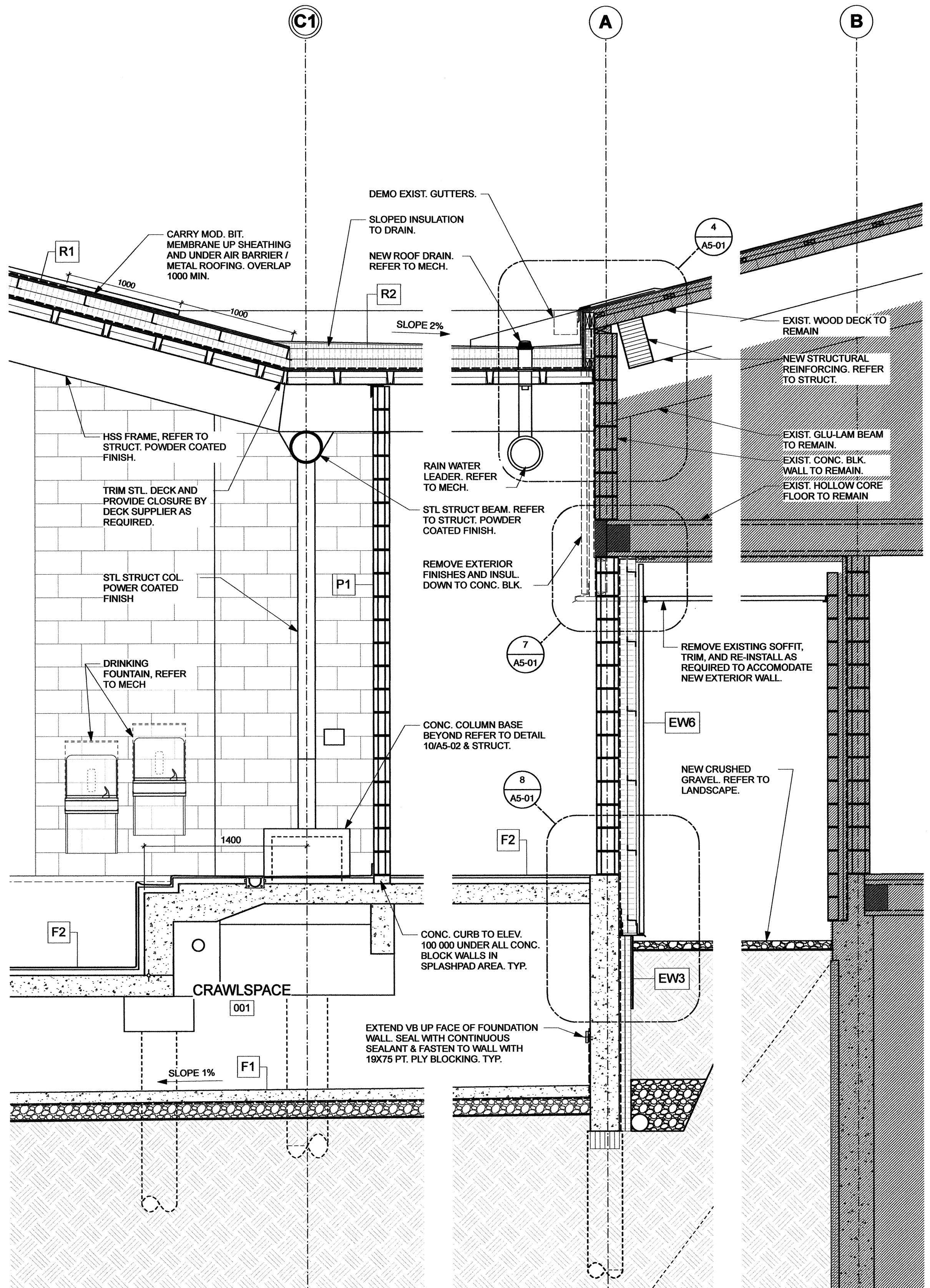
scale: **1:25**
date issued: **2016.07.15**
proj. #: **2014.66**
rev. #: **R-0**

A4
03

This drawing must not be scaled. The contractor shall verify all dimensions and other data on site prior to commencement of work. All discrepancies, errors, and omissions are to be reported to the architect. Drawing and specifications are the property of the architect. The copyright in the same being reserved to him. No reproduction may be made without the permission of the architect, and when made, must bear his name. All prints to be returned to the architect on request.



1 N EXT. WALL SECTION
1:25



2 POOL DECK EDGE SECTION
1:25

3 SECT @ JAN. ROOM EXT. WALL
1:25

4 SECT @ EXIST INTAKE GRILLE
1:25