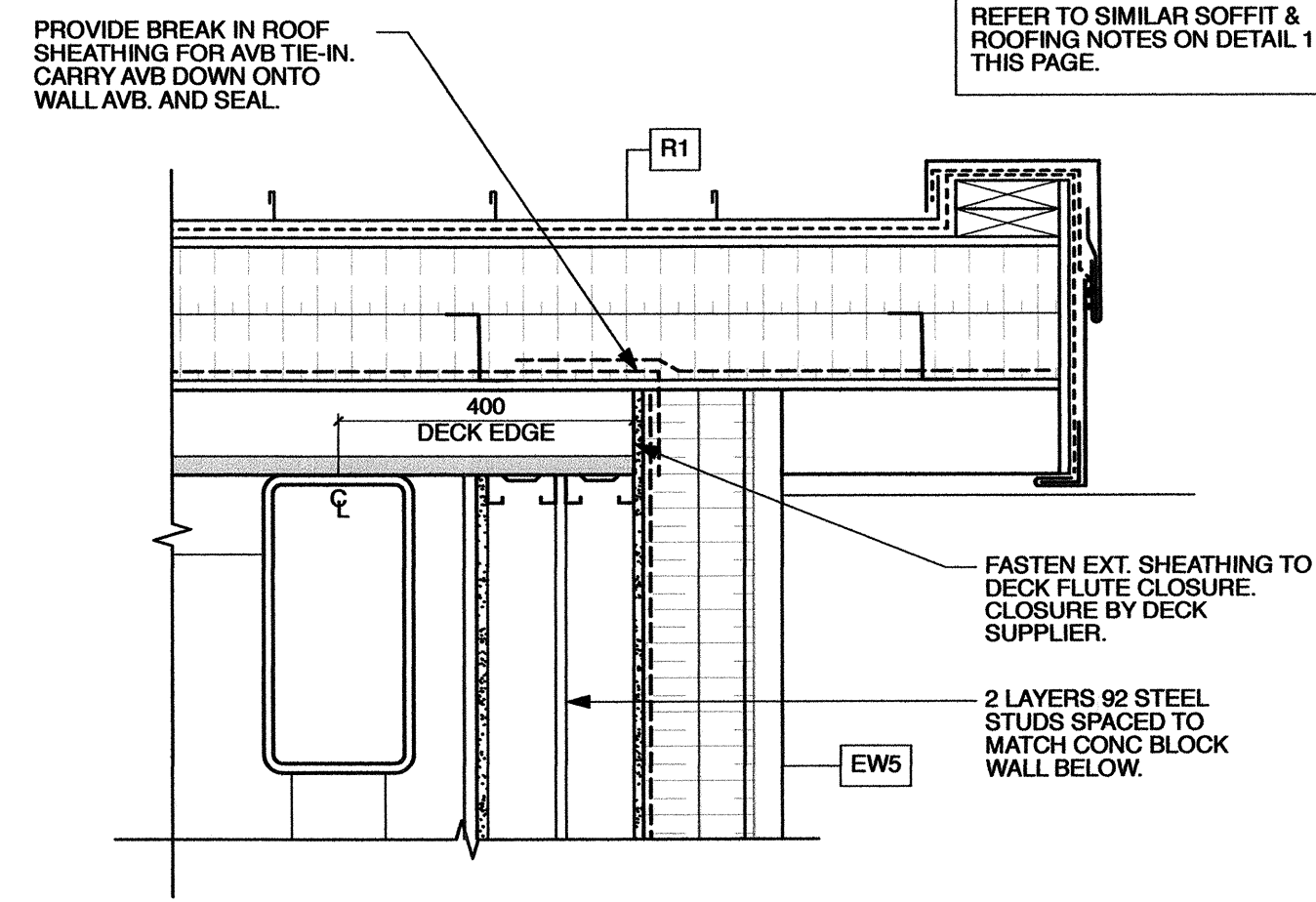
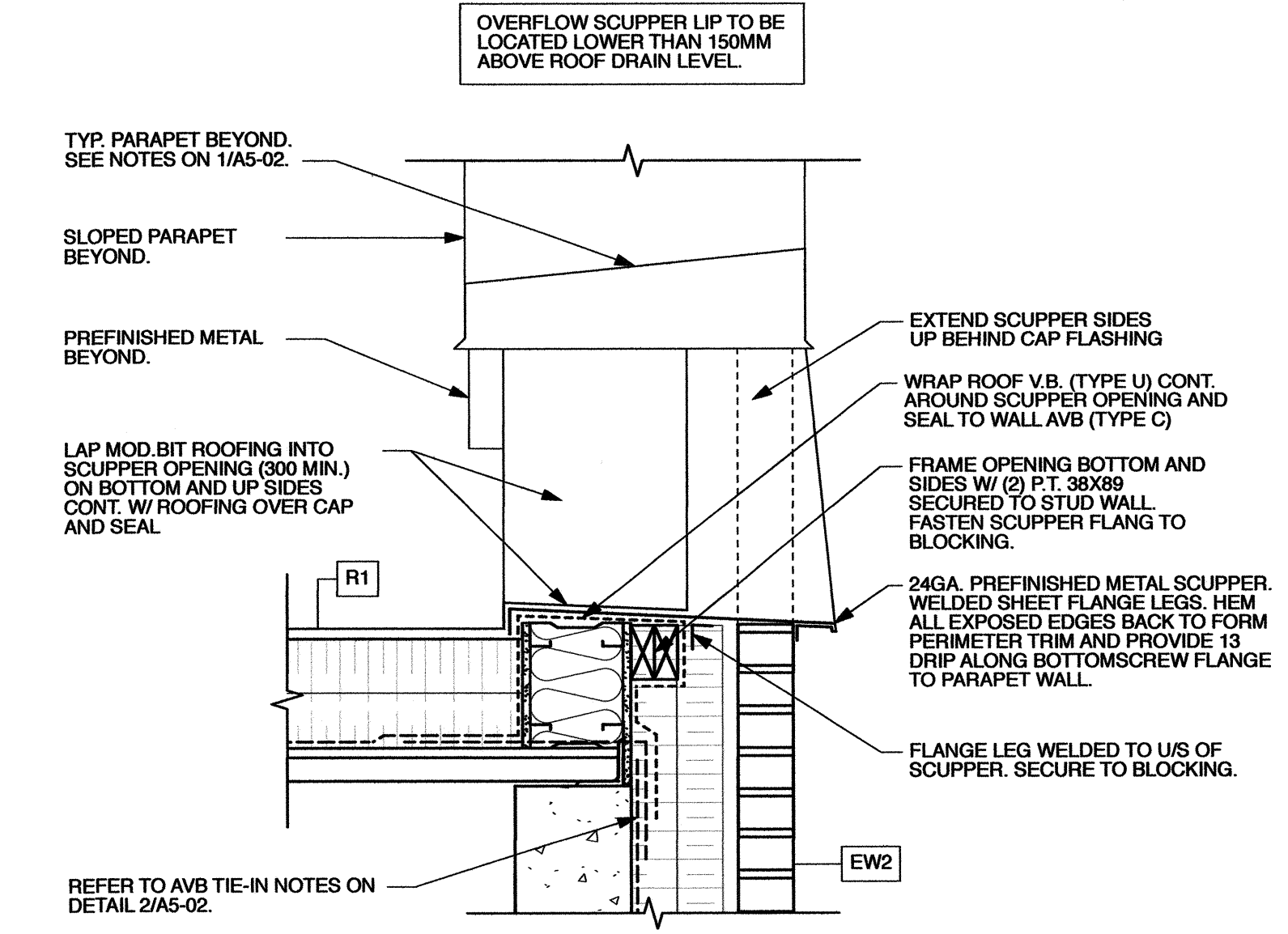


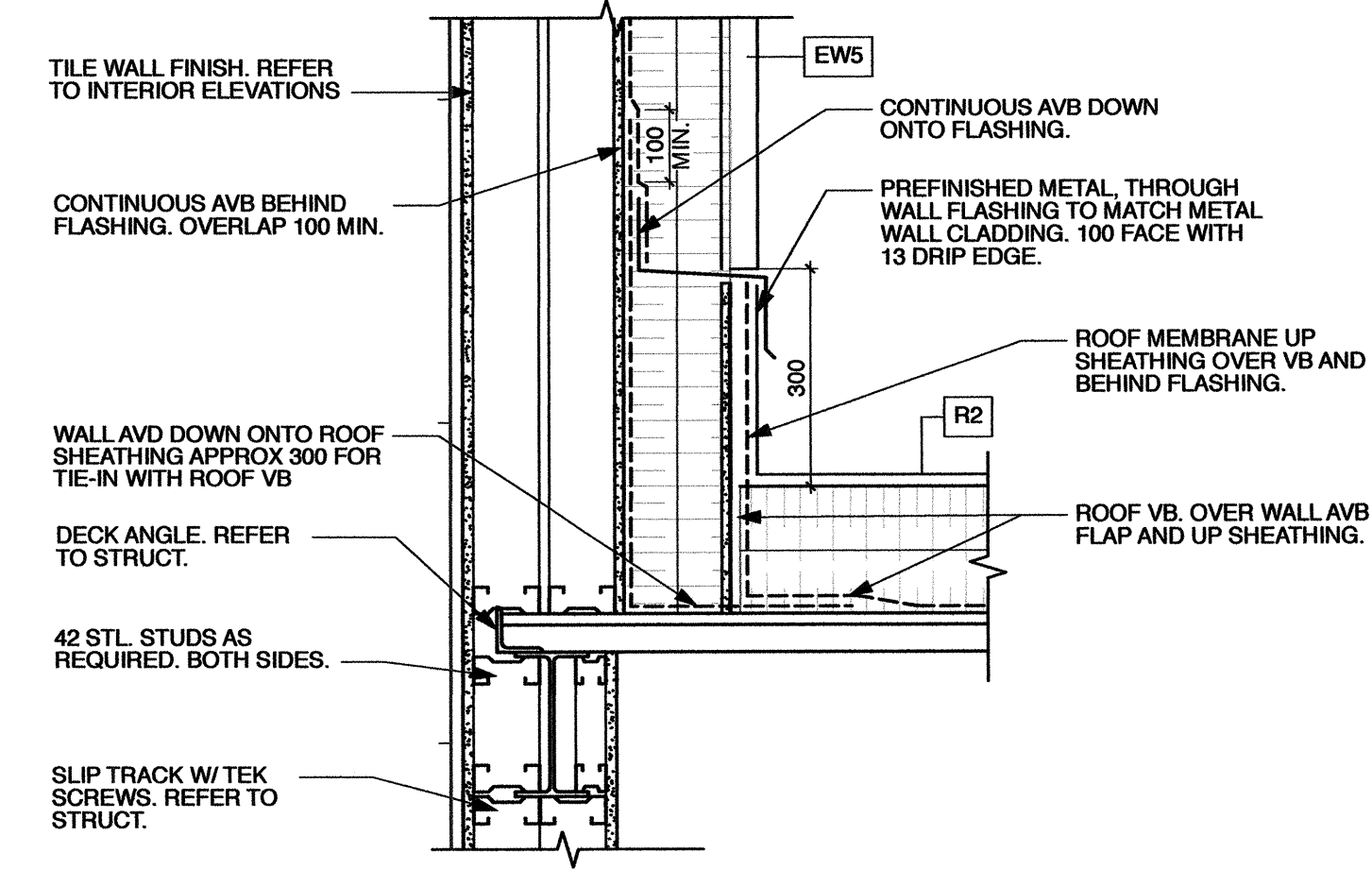
1 TYP. E/W WALL PARAPET DETAIL 1:10



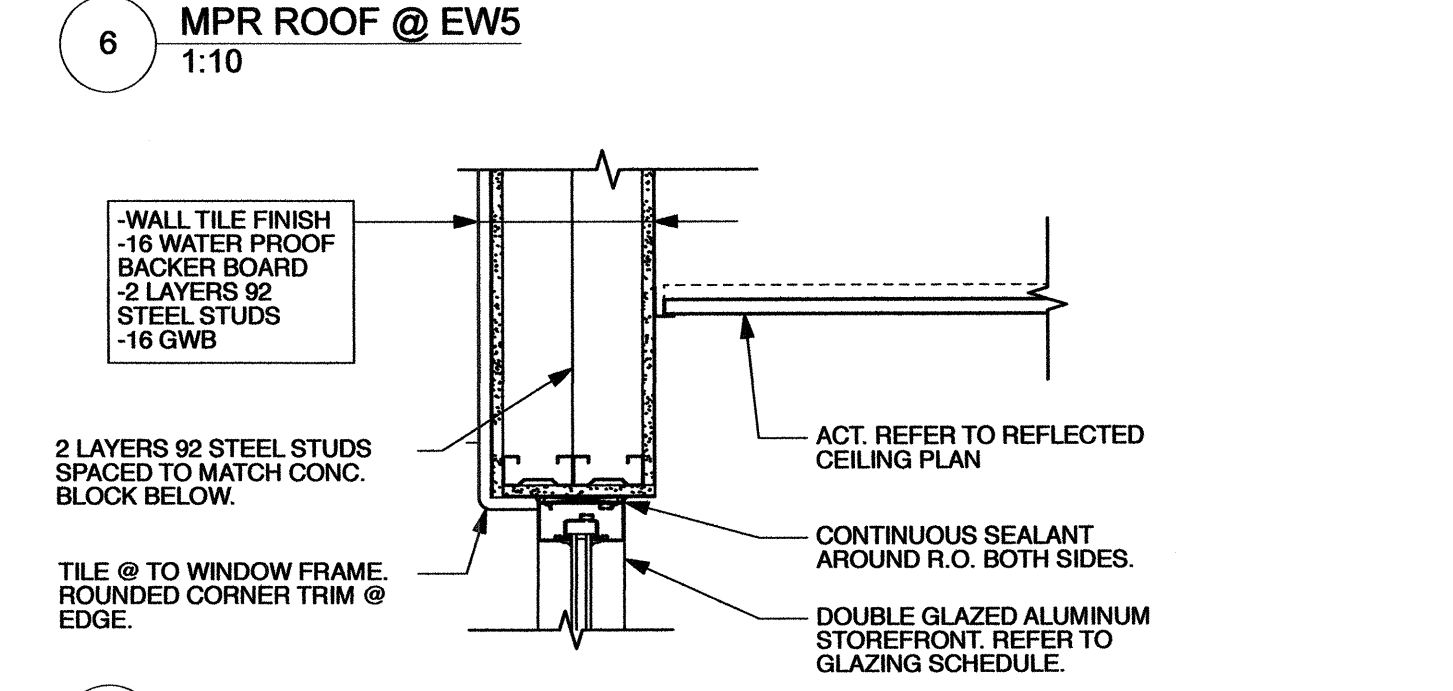
5 EAST SPLASHPAD WALL @ ROOF 1:10



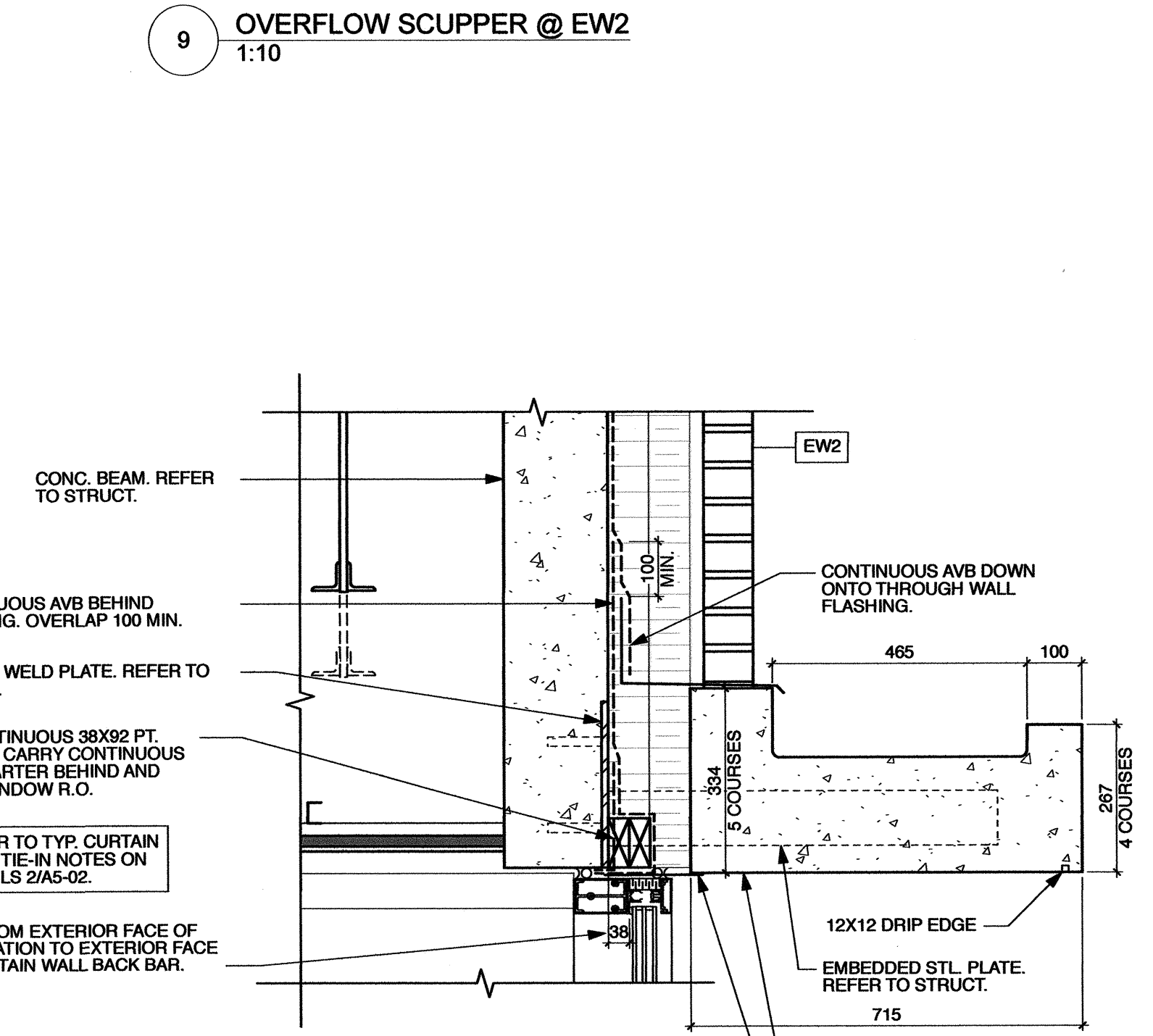
9 OVERFLOW SCUPPER @ EW2 1:10



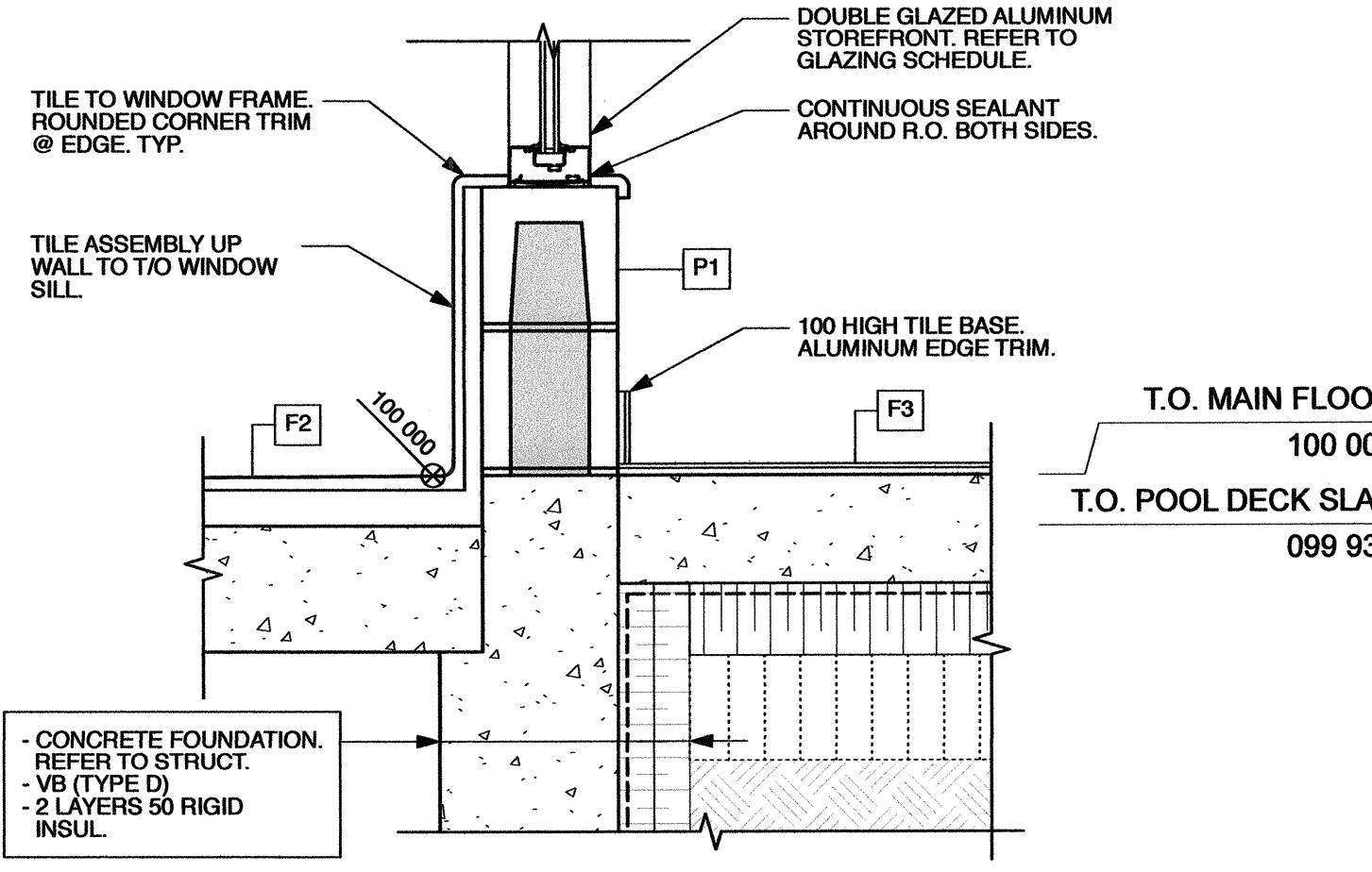
6 MPR ROOF @ EW5 1:10



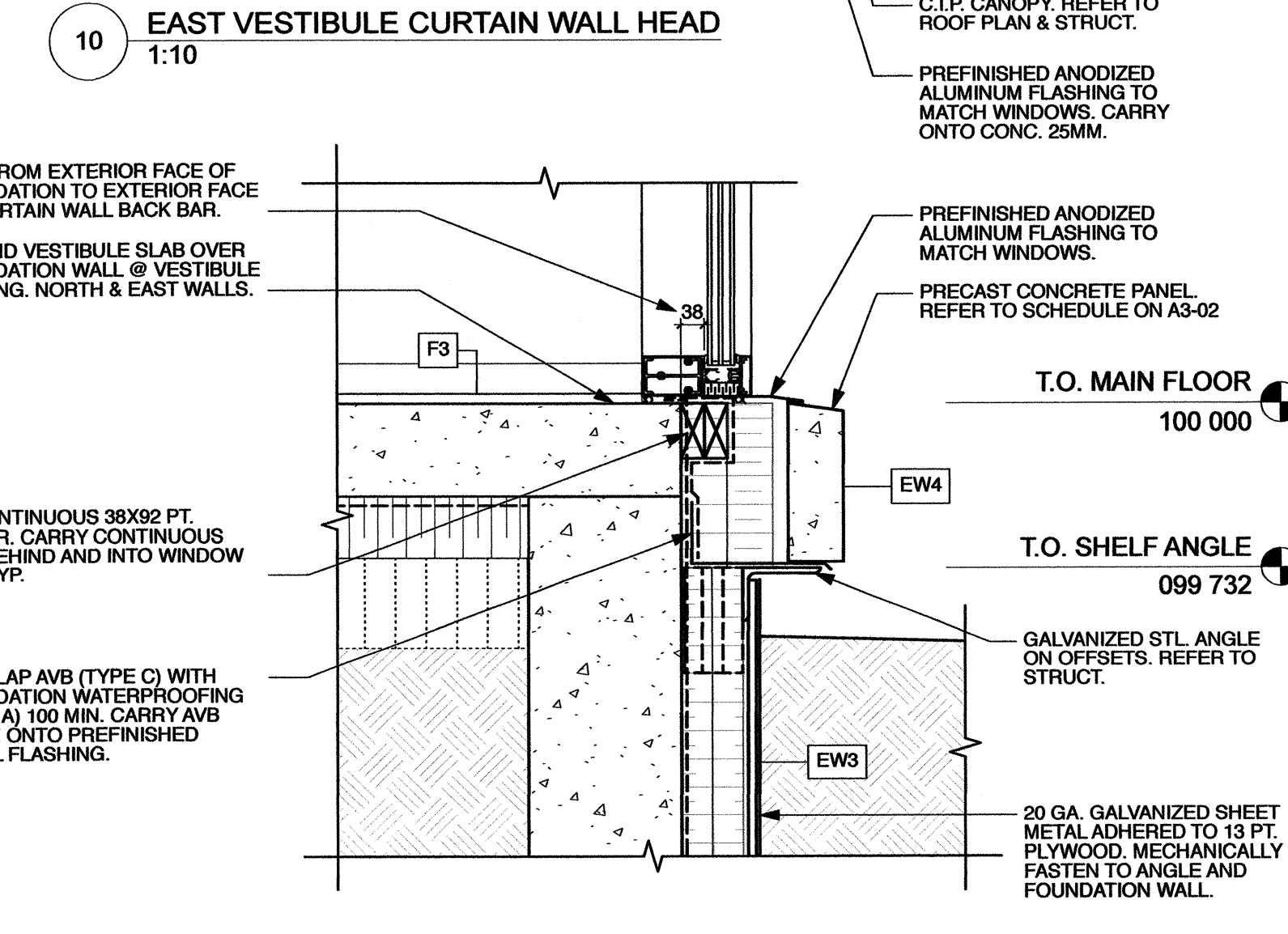
7 MPR WINDOW HEAD DETAIL 1:10



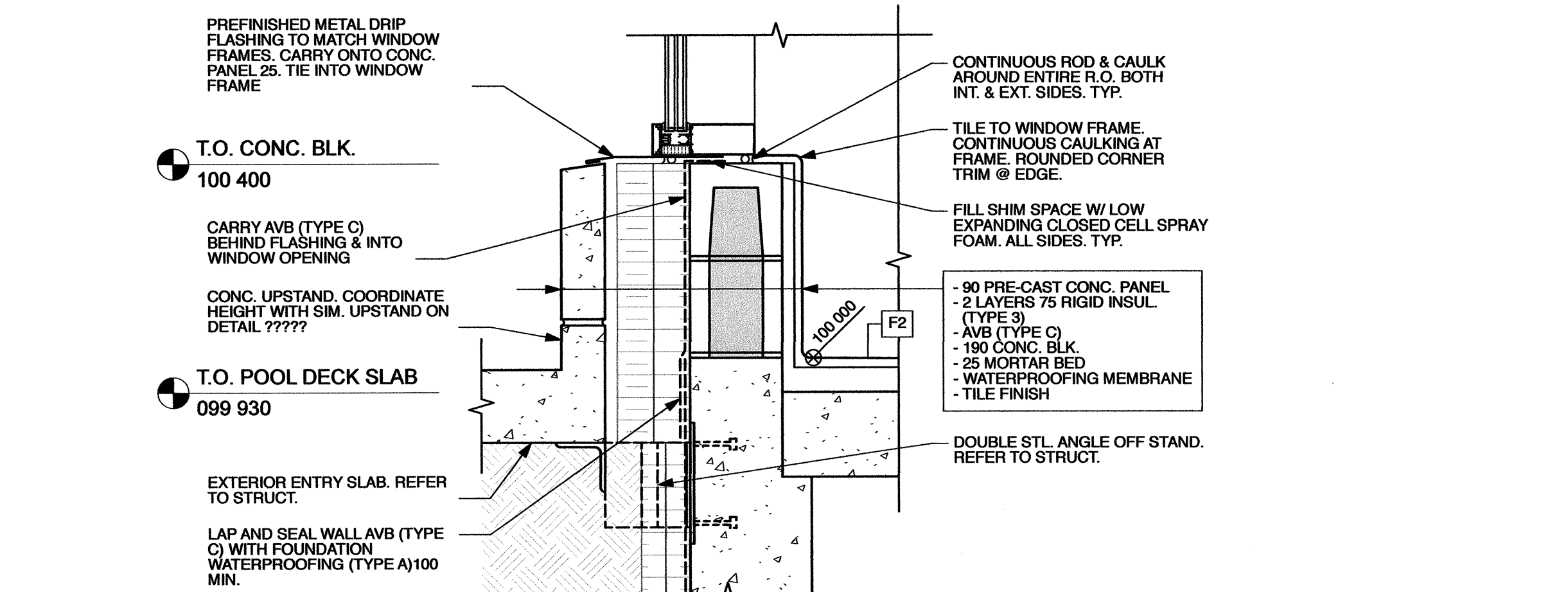
10 EAST VESTIBULE CURTAIN WALL HEAD 1:10



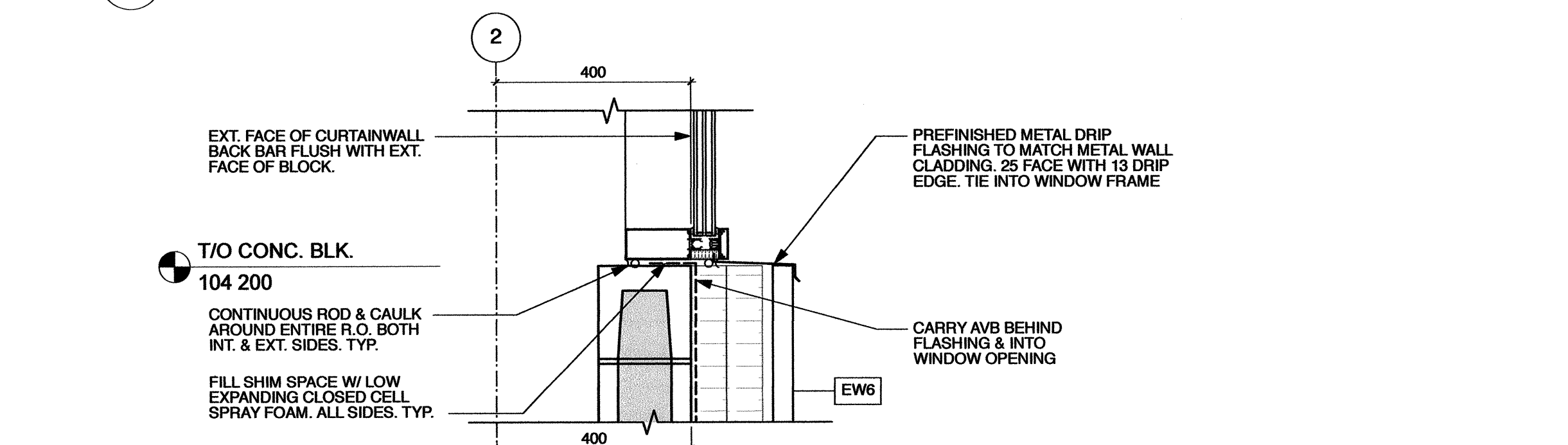
8 MPR WINDOW HEAD DETAIL 1:10



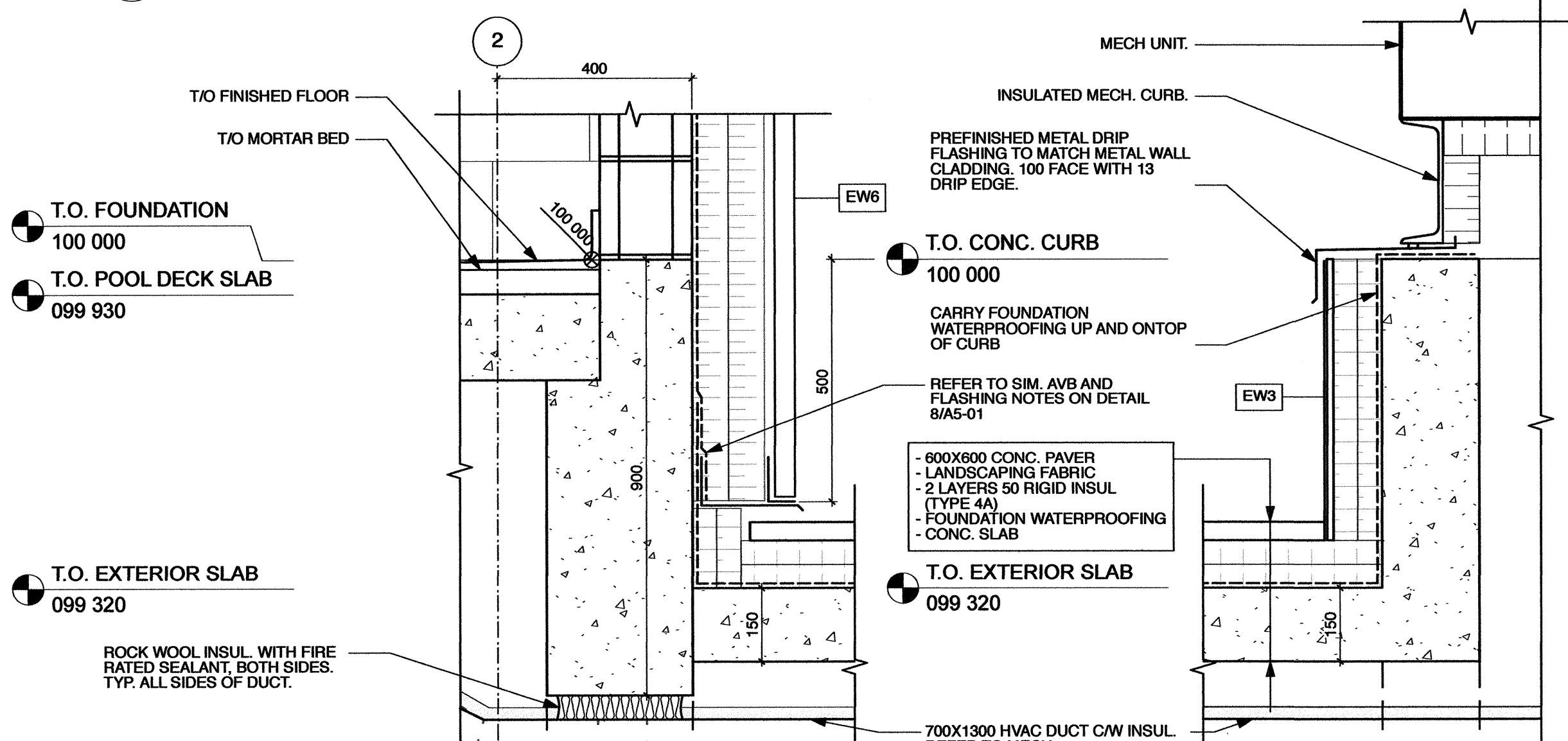
11 EAST VESTIBULE CURTAIN WALL SILL 1:10



2 CURTAIN WALL SILL DTL. @ EAST SPLASH PAD WALL 1:10

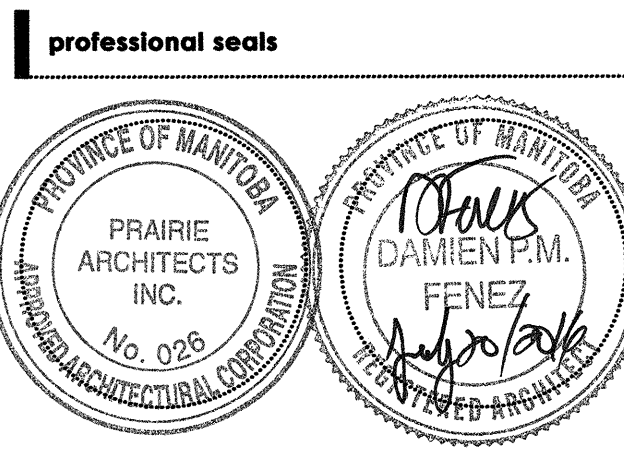


3 TYP. CURTAIN WALL SILL DTL. @ EW6 1:10



4 FOUNDATION DTL. @ MECH. UNIT 1:10

Issue / rev.	date	issue notes
3	2015.07.15	issued for construction
2	2016.06.13	issued for 99% review
#		



project information

SEVEN OAKS POOL RENOVATION & ADDITION
444 ADSUM DRIVE
WINNIPEG, MB
CANADA

client
CITY OF WINNIPEG
4TH FLOOR - 85 KING ST.
WINNIPEG, MB

drawing information

SECTION DETAILS
drawn by: JDB
approved by: DF

scale: 1:10
date issued: 2016.07.15
proj. #: 2014.66
rev. #: R-0

A5 03

This drawing must not be scaled. The contractor shall verify all dimensions and other data on site prior to commencement of work. All discrepancies, errors, and omissions are to be reported to the architect. Drawing and specifications, as instruments of service, are the property of the architect. No reproduction may be made without the permission of the architect, and when made, must bear the name. All rights reserved to the architect on request.