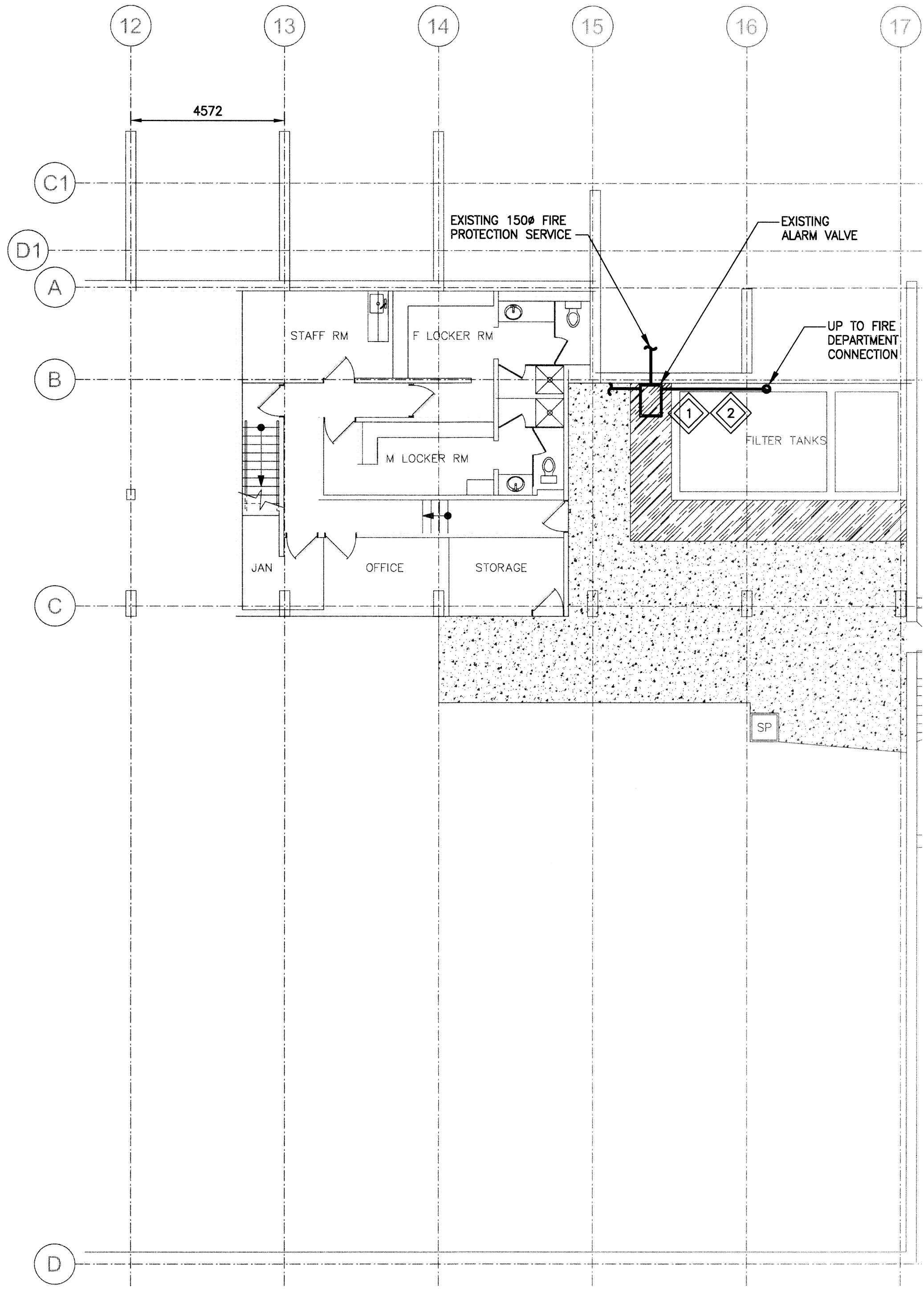


KEYNOTES: BASEMENT FLOOR PLAN DEMO

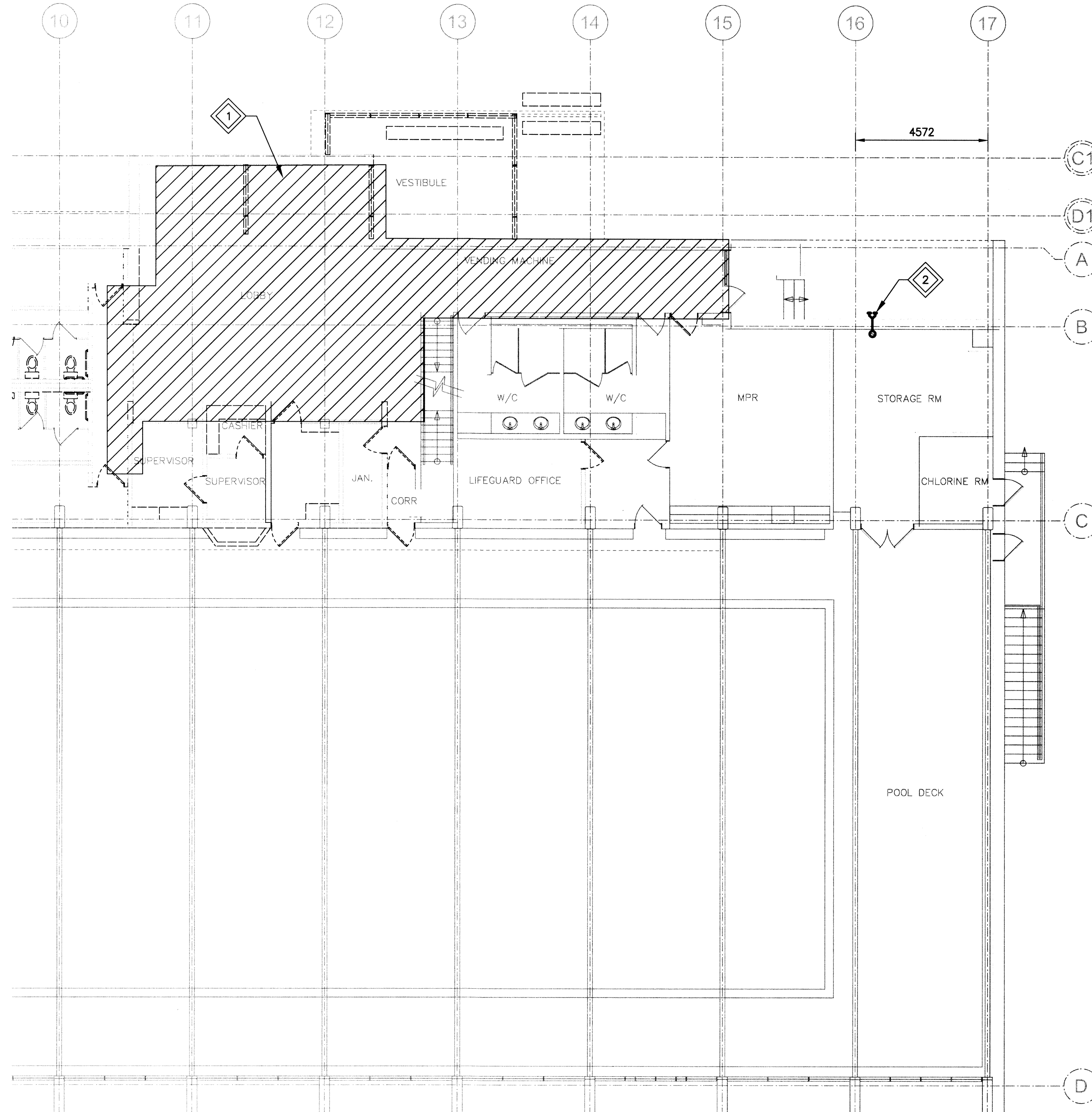
- 1 REMOVE EXISTING SPRINKLER TREE INCLUDING ALARM VALVE, TRIM AND JOCKEY PUMP. DISPOSE OF OFF SITE.
- 2 EXISTING SPRINKLER PIPING TO BE REMOVED AND DISPOSED OF OFF SITE.



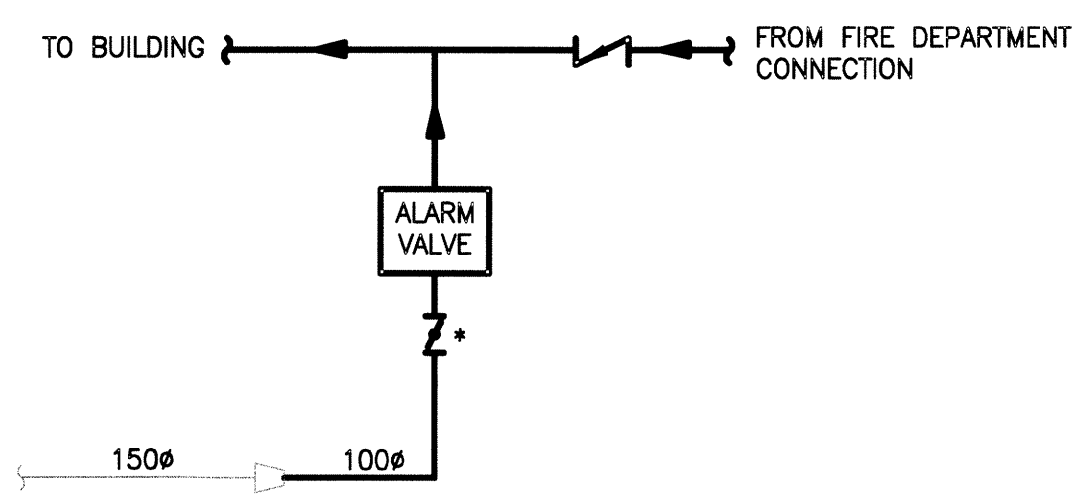
1 BASEMENT FLOOR PLAN - FIRE PROTECTION DEMO
SCALE: 1:100

KEYNOTES: MAIN FLOOR PLAN DEMO

- 1 EXISTING AREA IS CURRENTLY SPRINKLERED. CONTRACTOR TO REMOVE ALL SPRINKLER PIPING AND ASSOCIATED HEADS BACK TO SPRINKLER TREE IN BASEMENT.
- 2 LOCATION OF EXISTING SIAMESE FIRE DEPARTMENT CONNECTION AND ASSOCIATED WATER CONG. REUSE/REPLACE FIRE DEPARTMENT CONNECTION AS NECESSARY. REMOVE WATER GONG AND ASSOCIATED PIPING AND PATCH WALL PENETRATIONS.



2 MAIN FLOOR PLAN - FIRE PROTECTION DEMO
SCALE: 1:100

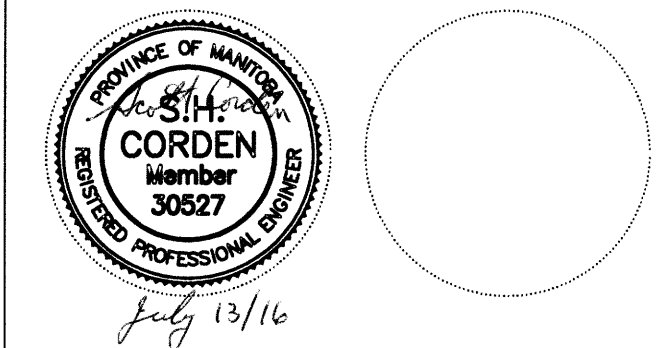


3 EXISTING SPRINKLER TREE DEMOLITION
SCALE: N.T.S.

issue / rev.

0	2016/07/15	ISSUED FOR CONSTRUCTION
#	date	issue notes

professional seals



project information

SEVEN OAKS POOL RENOVATION & ADDITION
444 Adsum Drive
Winnipeg, MB
Canada

client

City of Winnipeg
4th Floor - 86 King Street
Winnipeg, MB

drawing information

MECHANICAL BASEMENT/MAIN FLOOR PLAN FIRE PROTECTION - DEMO

drawn by: RLR
approved by: [Signature]
scale: AS NOTED
date issued: 2016.07.15
proj. #: 14-1736-008
rev. #: R-0



SCALE VERIFIED BY: [Signature]

SEVEN OAKS POOL RENOVATION & ADDITION

M1 03

File Name: P:\Projects\2014\14-1736-008\Mech\14-1736-008_M1-03.dwg - Tab: M1-03 Plotted By: dderocher 16/07/13 [Wed 3:53pm]

This drawing must not be scaled. The contractor shall verify all dimensions and other data on site prior to commencement of work. All discrepancies, errors, and omissions are to be reported to the architect. Drawing and specifications, as instruments of service, are the property of the architect. The copyright in the same being reserved to him. No reproduction may be made without the permission of the architect, and when made, must bear his name. All prints to be returned to the architect on request.