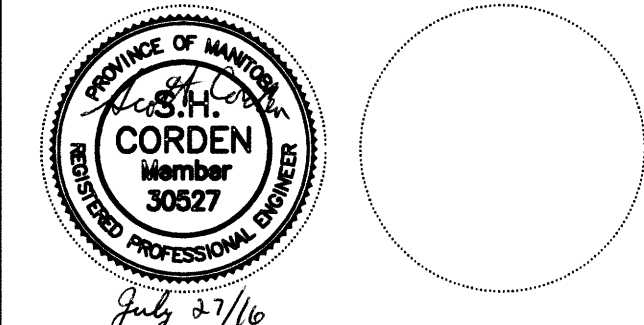


Issue / rev.	date	issue notes
1	2016/07/27	RE-ISSUED FOR CONSTRUCTION
0	2016/07/15	ISSUED FOR CONSTRUCTION
#	date	issue notes

professional seals



project information

SEVEN OAKS POOL

444 Adsum Drive
Winnipeg, MB
Canada

client

City of Winnipeg
4th Floor - 86 King Street
Winnipeg, MB

drawing information

MECHANICAL SECTIONS AND DETAILS

drawn by: RLR

approved by: *[Signature]*

scale: AS NOTED

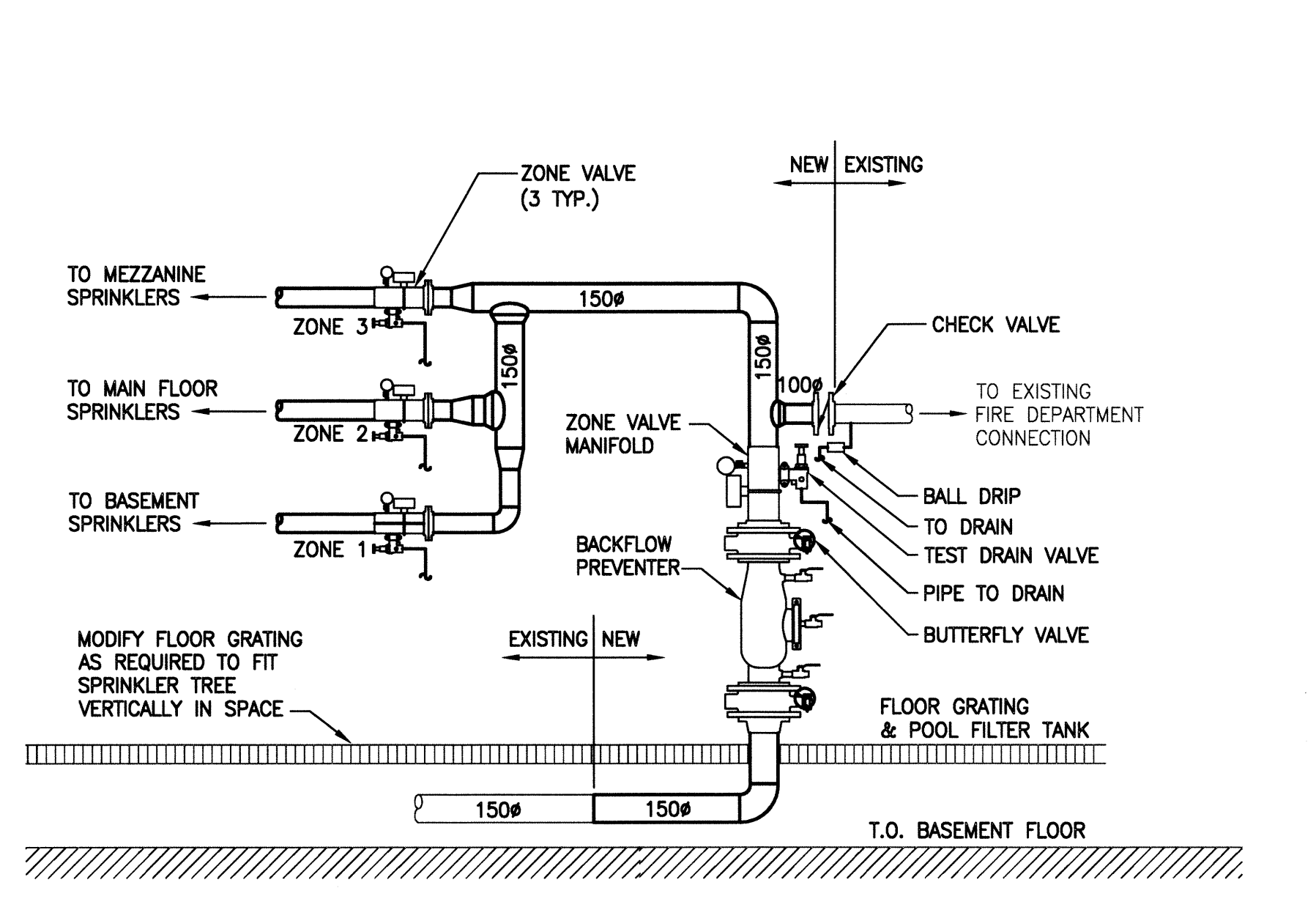
date issued: 2016.07.27

proj. #: 14-1736-008

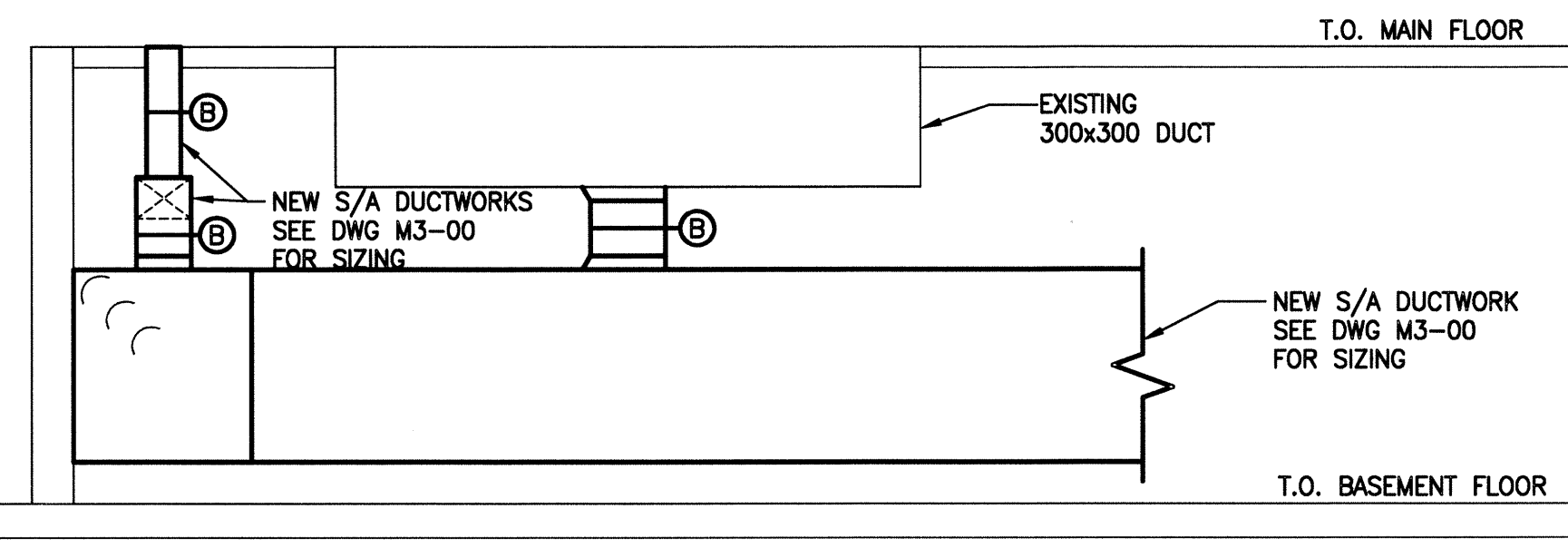
rev. #: R-1

SEVEN OAKS POOL RENOVATION & ADDITION
BID OPPORTUNITY NO. 645-2016

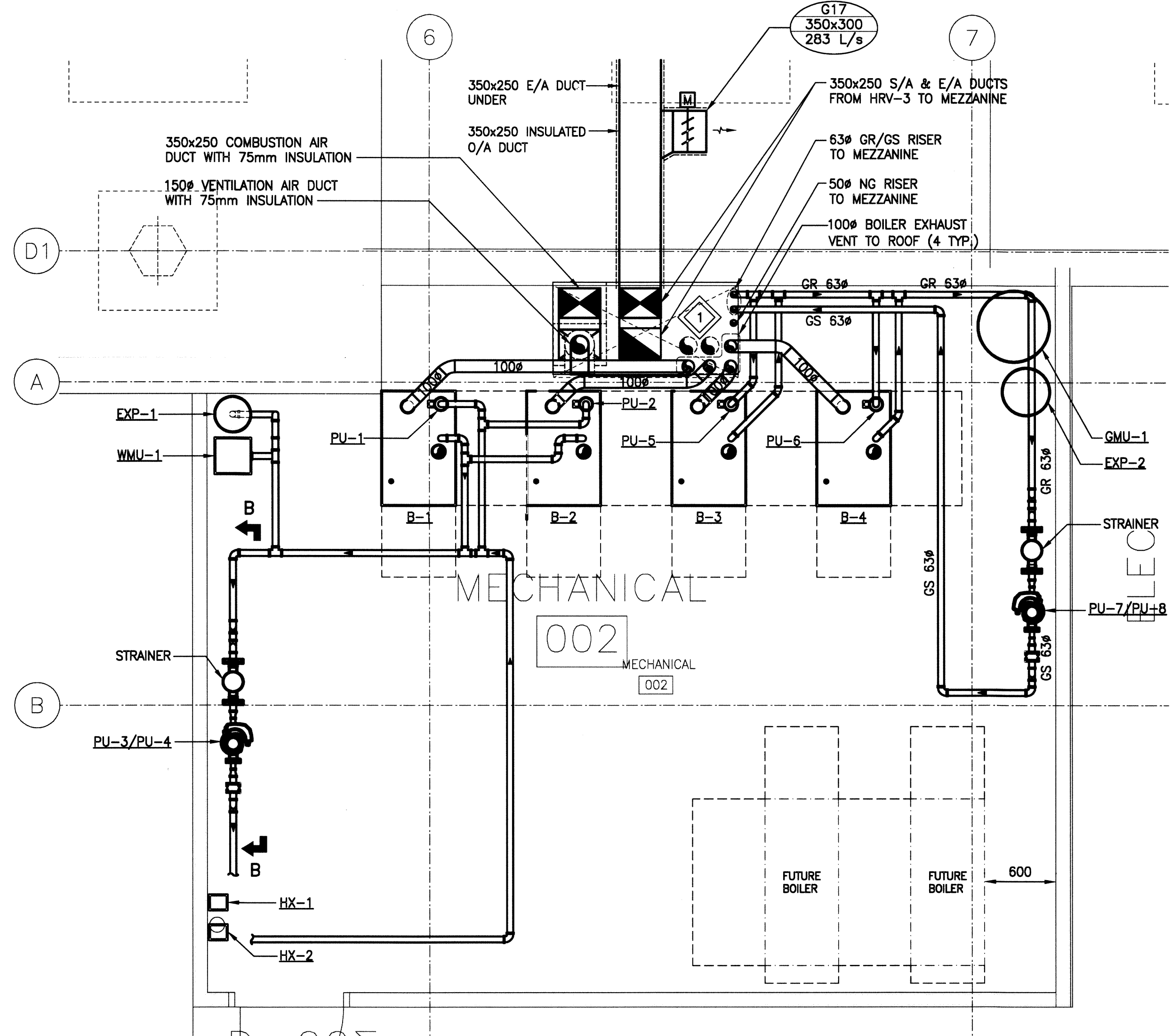
KEYNOTES:
1 PROVIDE FUTURE VENT PIPES IN CHASE FOR CONNECTION TO FUTURE BOILER. CAP VENT PIPING AT TOP AND BOTTOM OF CHASE.



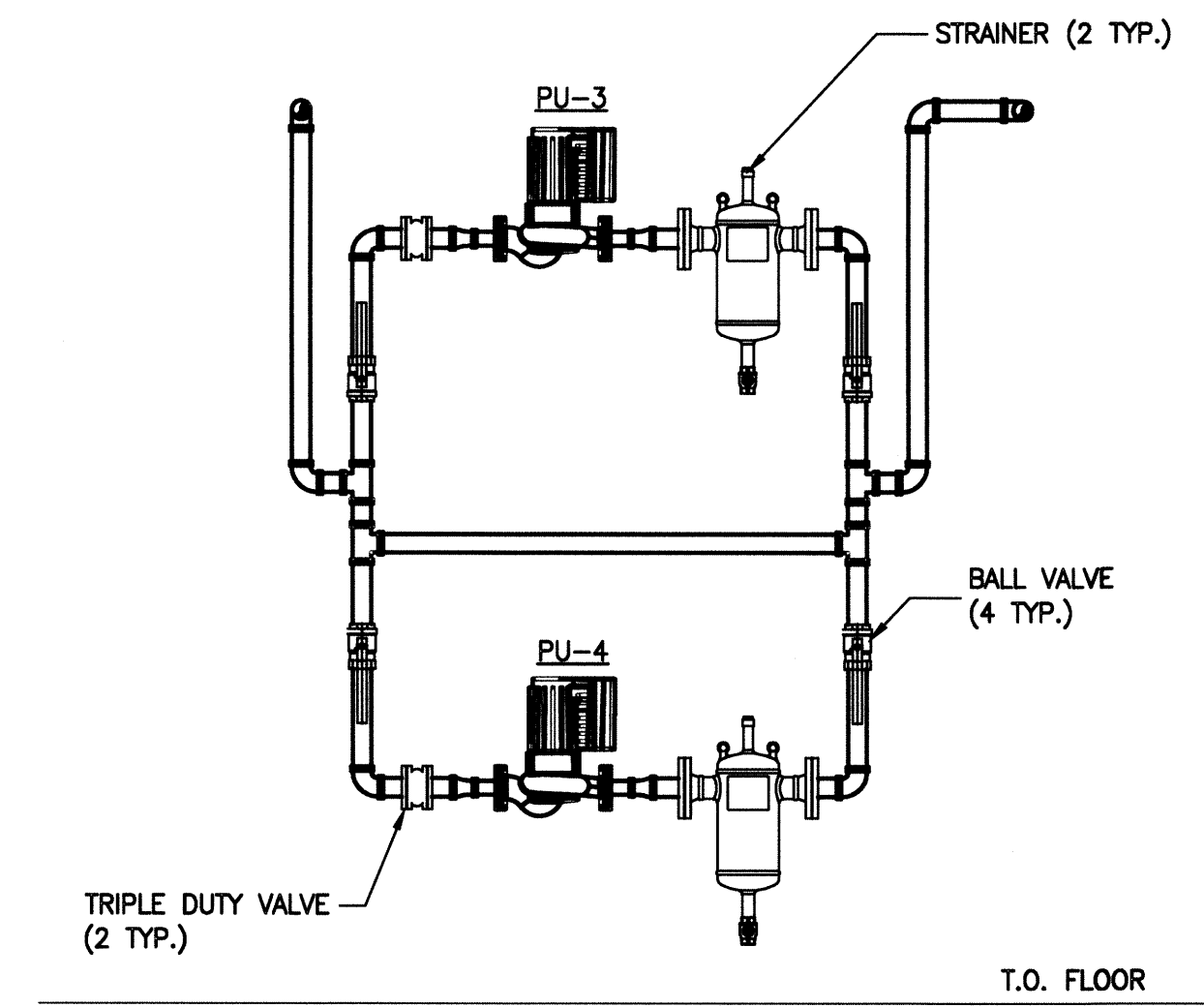
1 SPRINKLER TREE - DETAIL
SCALE: N.T.S.



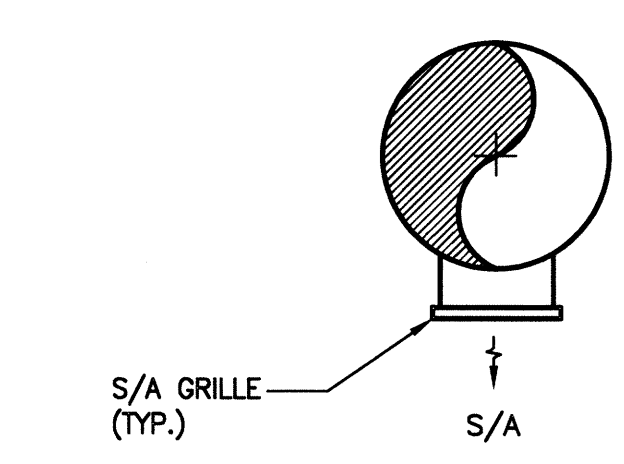
3 NEW DUCTWORK AND HEATING COIL - DETAIL
SCALE: N.T.S.



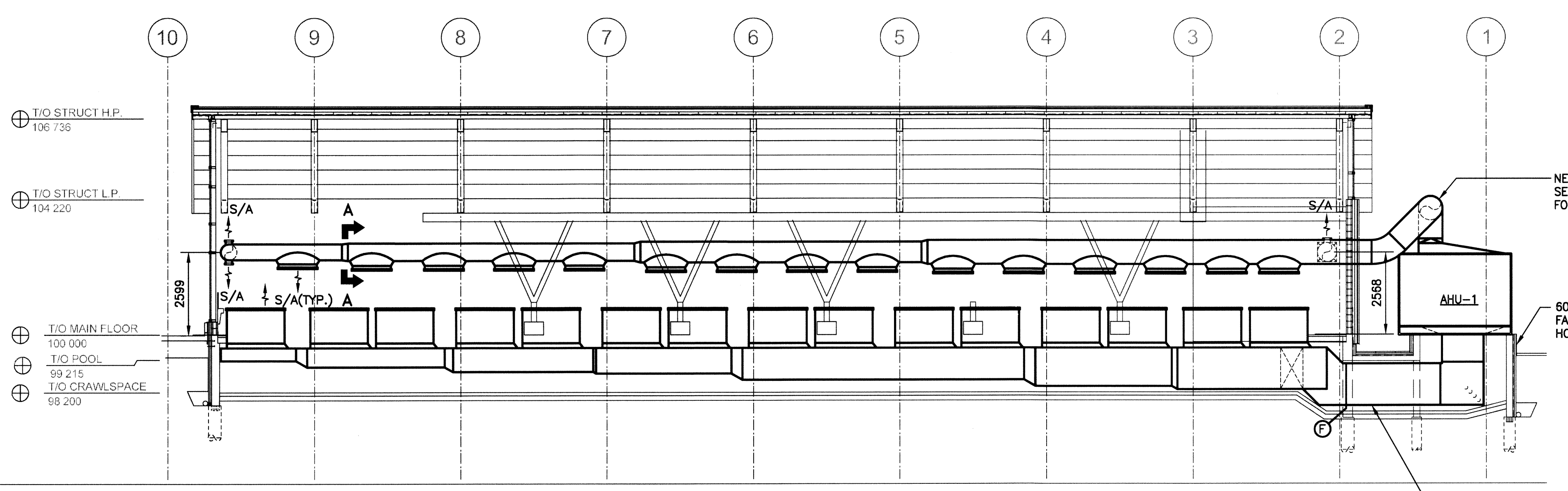
2 MECHANICAL ROOM ENLARGE PLAN
SCALE: N.T.S.



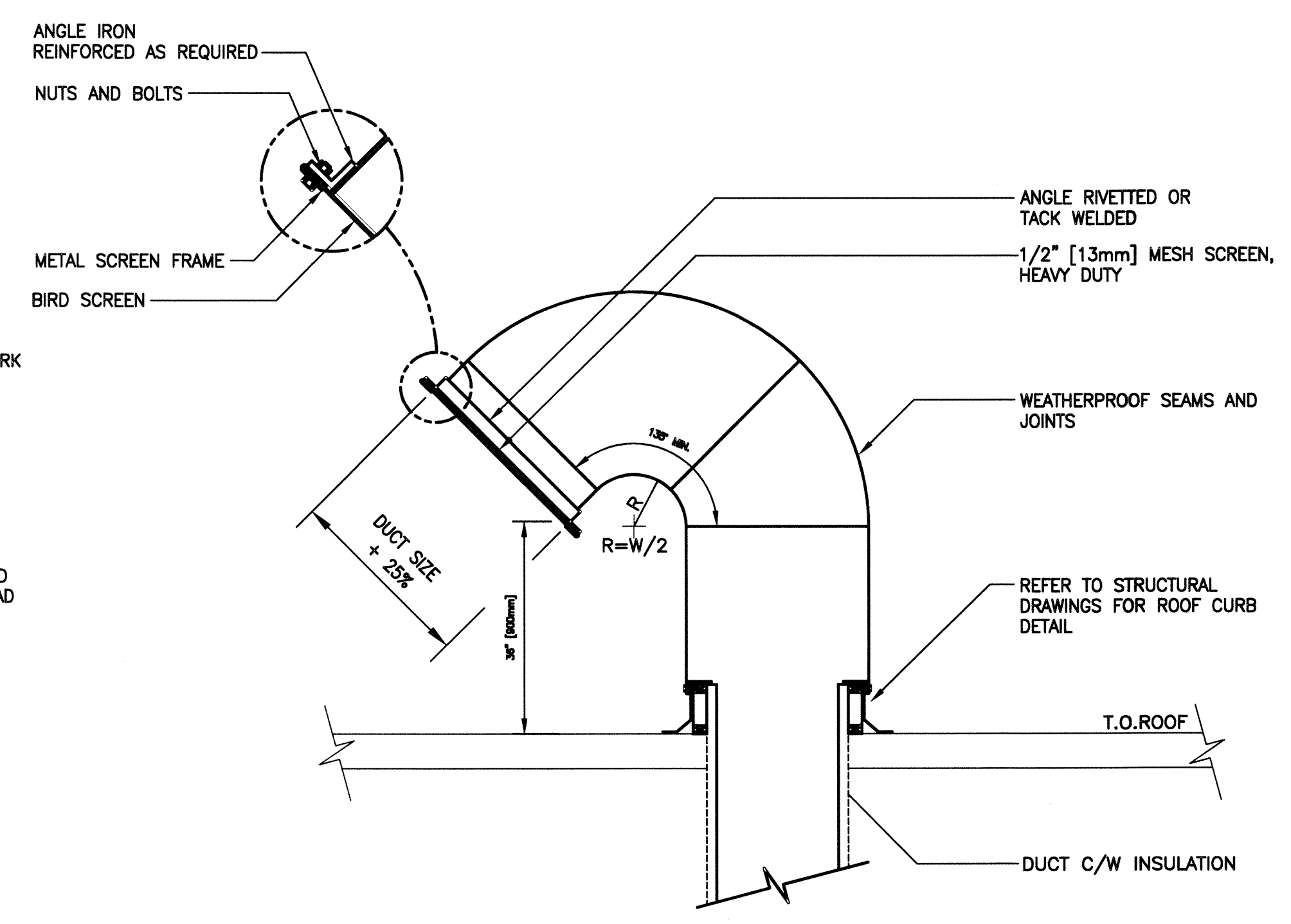
POOL WATER PUMP - SECTION B-B
SCALE: N.T.S.



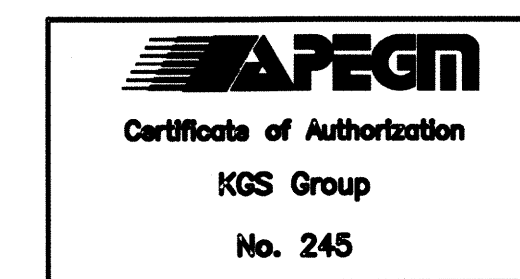
DUCT TAKE OFF - SECTION A-A
SCALE: N.T.S.



4 AHU-1 AND DUCTWORK - DETAIL
SCALE: N.T.S.



5 GOOSENECK HOOD DETAIL
SCALE: N.T.S.



File Name: P:\Projects\2014\14-1736-008\Mech\14-1736-008_M5-00.dwg - Tab: M5-00 Plotted By: sderoché 16/07/27 [Wed 1:51 pm]