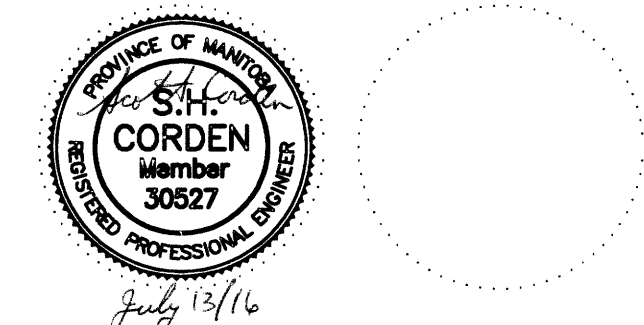


Issue / rev.

0	2016/07/15	ISSUED FOR CONSTRUCTION
#	date	issue notes

professional seals



project information

SEVEN OAKS POOL

444 Adsum Drive
Winnipeg, MB
Canada

client

City of Winnipeg
4th Floor - 86 King Street
Winnipeg, MB

drawing information

MECHANICAL SECTIONS AND DETAILS

drawn by: RLR

approved by:

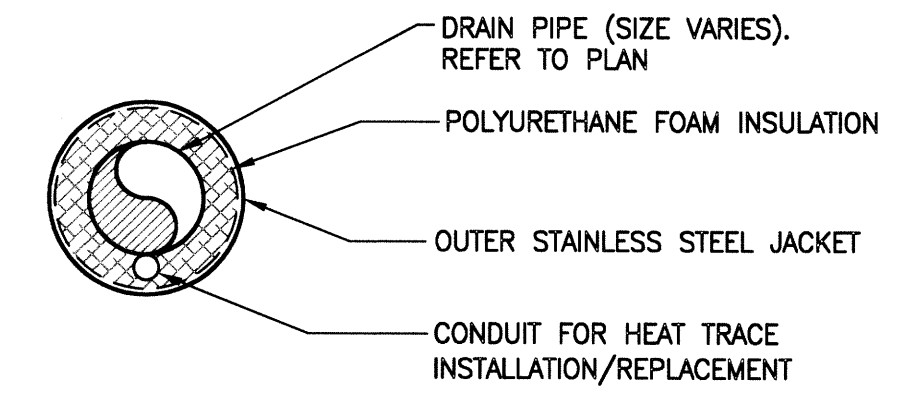
scale: AS NOTED

date issued: 2016.07.15

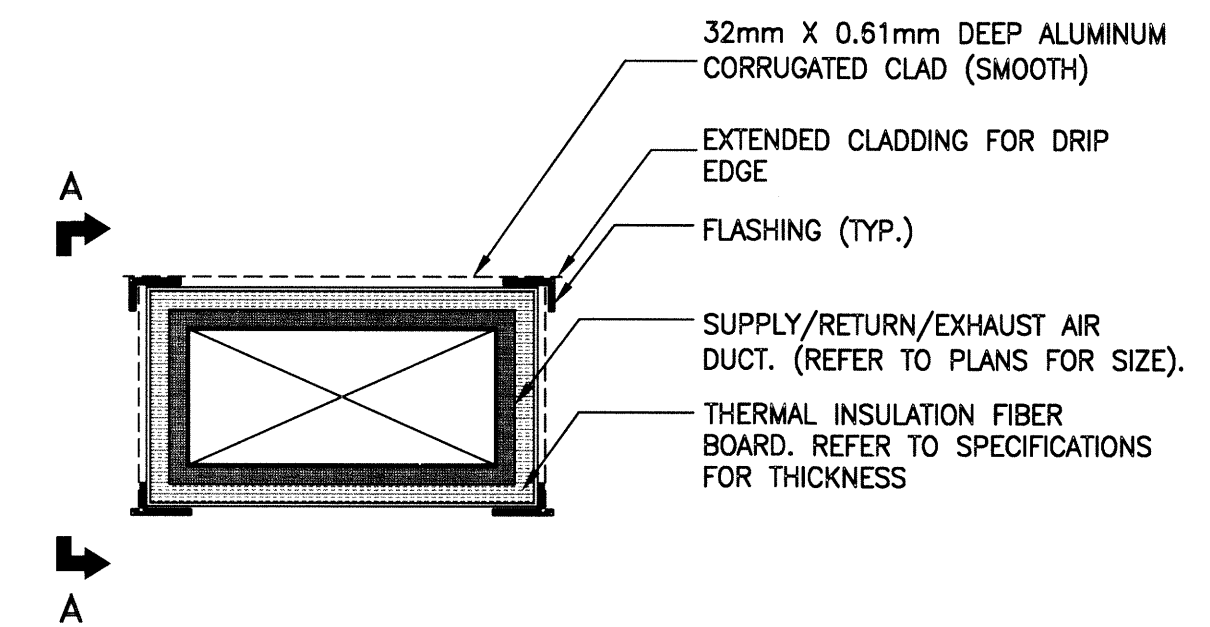
proj. #: 14-1736-008

rev. #: R-0

SEVEN OAKS POOL RENOVATION & ADDITION
 BID OPPORTUNITY NO. 645-2016

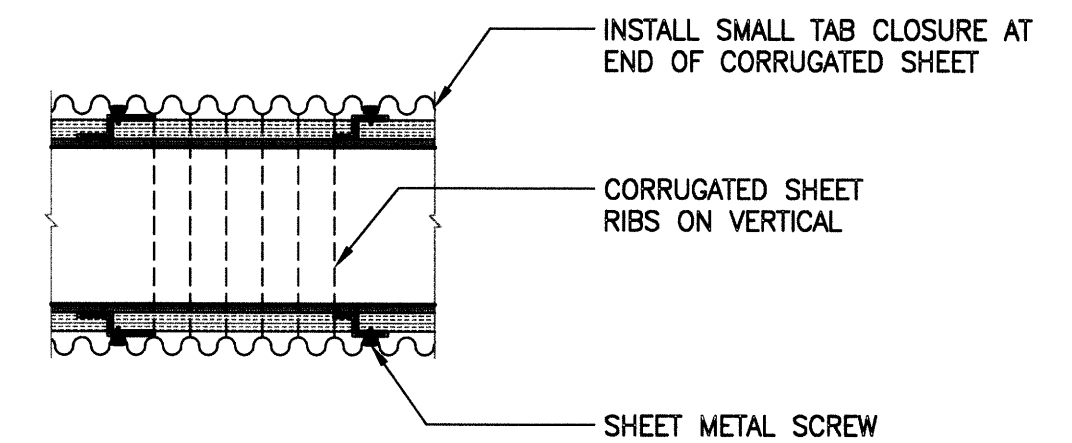


2 EXTERIOR PIPING INSULATION DETAIL
SCALE: N.T.S.

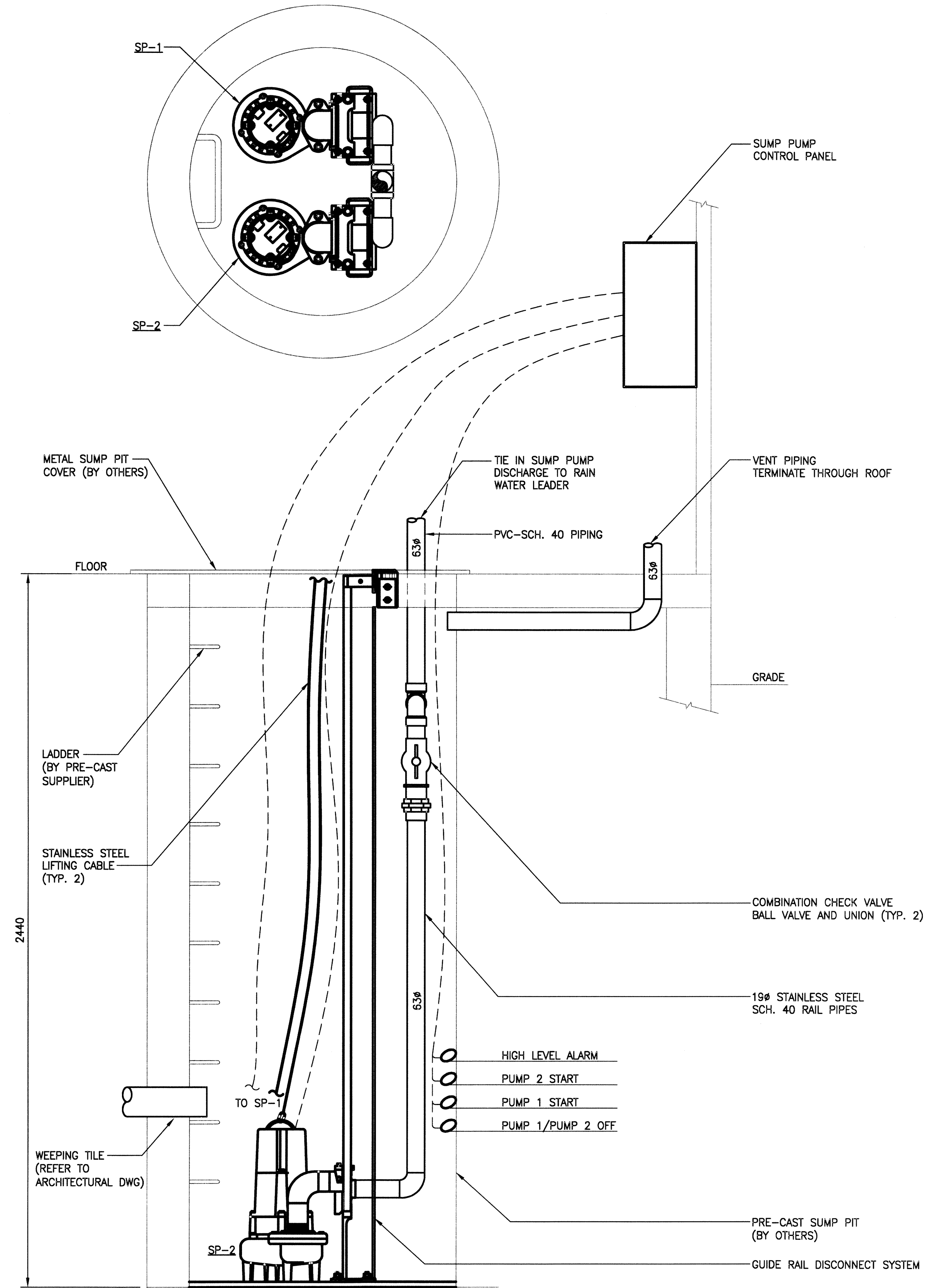


- NOTES:**
1. ALL CORRUGATED SHEETS AND CLOSURES/ GASKETS SHALL BE OF SAME PROFILE TO ENSURE WATER TIGHT SEAL.
 2. INSIDE CORNERS SHALL BE FLUSHED AND PROVIDED WITH CLOSURES TO ENSURE WATER TIGHT SEAL.
 3. EDGES OF VERTICAL SECTIONS OF DUCTWORK SHALL BE CAPPED AND SEALED WITH FLUSHING. PROPER OVERLAPS SHALL BE INSTALLED AT TOP OF DUCT TO ENSURE WATER TIGHT SEAL.

3 DUCT CLADDING DETAIL
SCALE: N.T.S.



SECTION - AA
SCALE: N.T.S.



- NOTES:**
1. REFER TO MANUFACTURER RECOMMENDATIONS FOR FLOAT ELEVATION AND SPACING.
 2. REFER TO STRUCTURAL FOR DIMENSIONS OF FIT.

1 SUMP PUMP DETAIL
SCALE: N.T.S.

File Name: P:\Projects\2014\14-1736-008\Mech\14-1736-008_M5-02.dwg - Tab: M5-02 Plotted By: dderochs 16/07/13 [Wed 3:47pm]