

Issue / rev.

#	date	issue notes
0	2016/07/15	ISSUED FOR CONSTRUCTION

professional seals



project information

**SEVEN OAKS POOL**

444 Adsum Drive  
Winnipeg, MB  
Canada

client

drawing information

**MECHANICAL HVAC CONTROL SCHEMATICS**

drawn by: RLR

approved by:

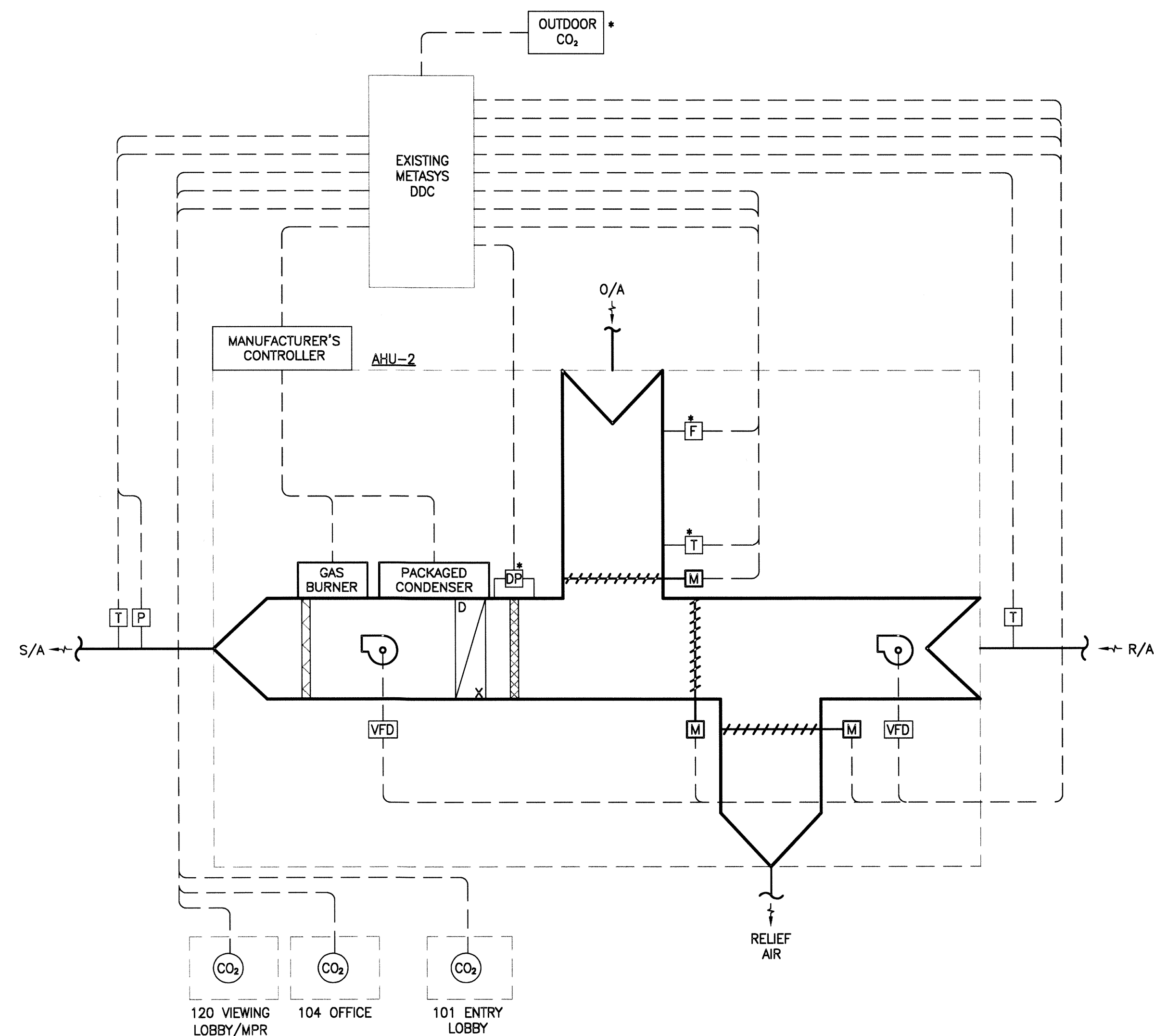
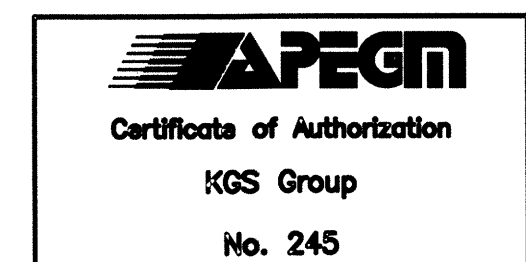
scale: AS NOTED

date issued: 2016.07.15

prj. #: 14-1736-008

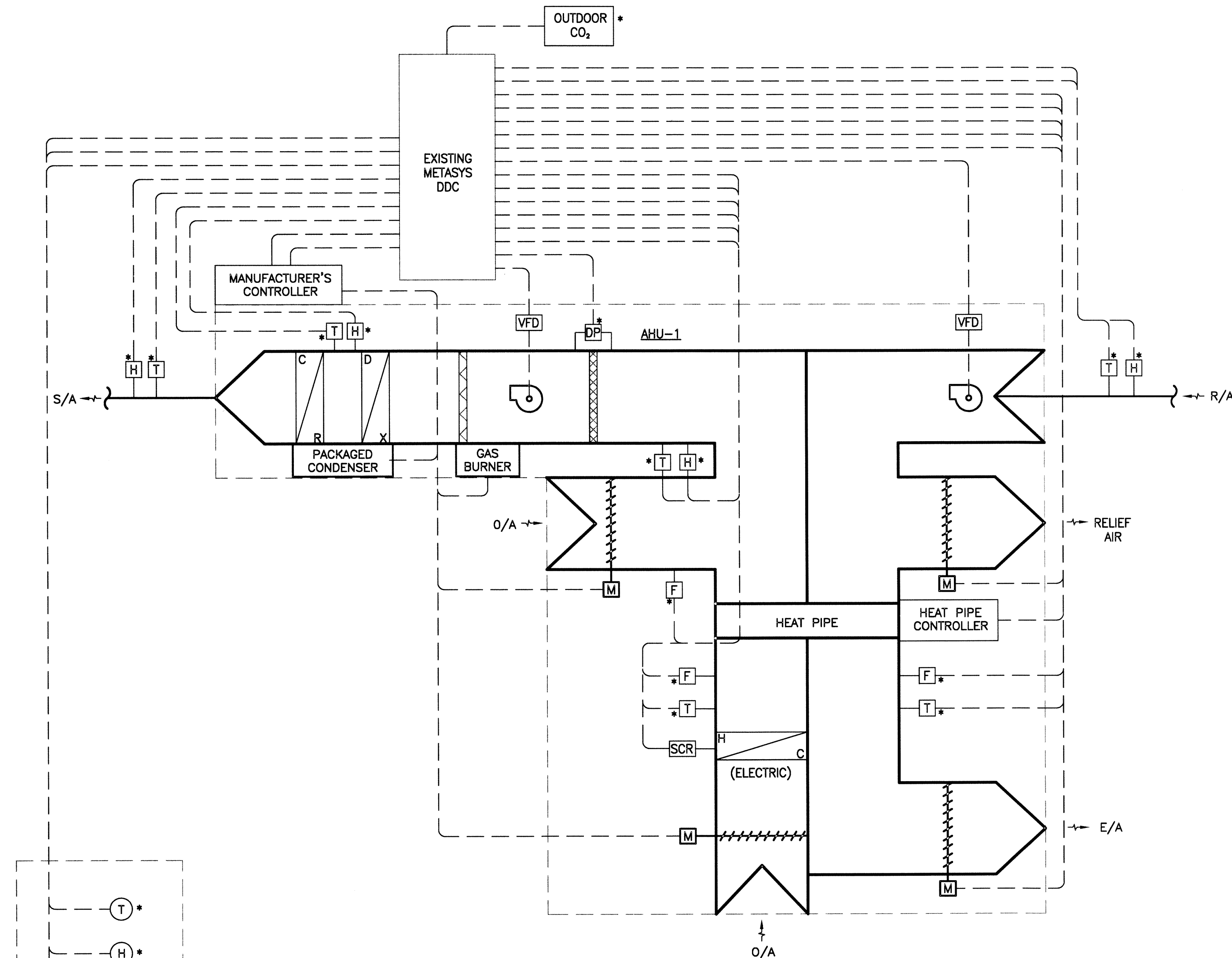
rev. #: R-0

**SEVEN OAKS POOL RENOVATION & ADDITION**  
BID OPPORTUNITY NO. 645-2016



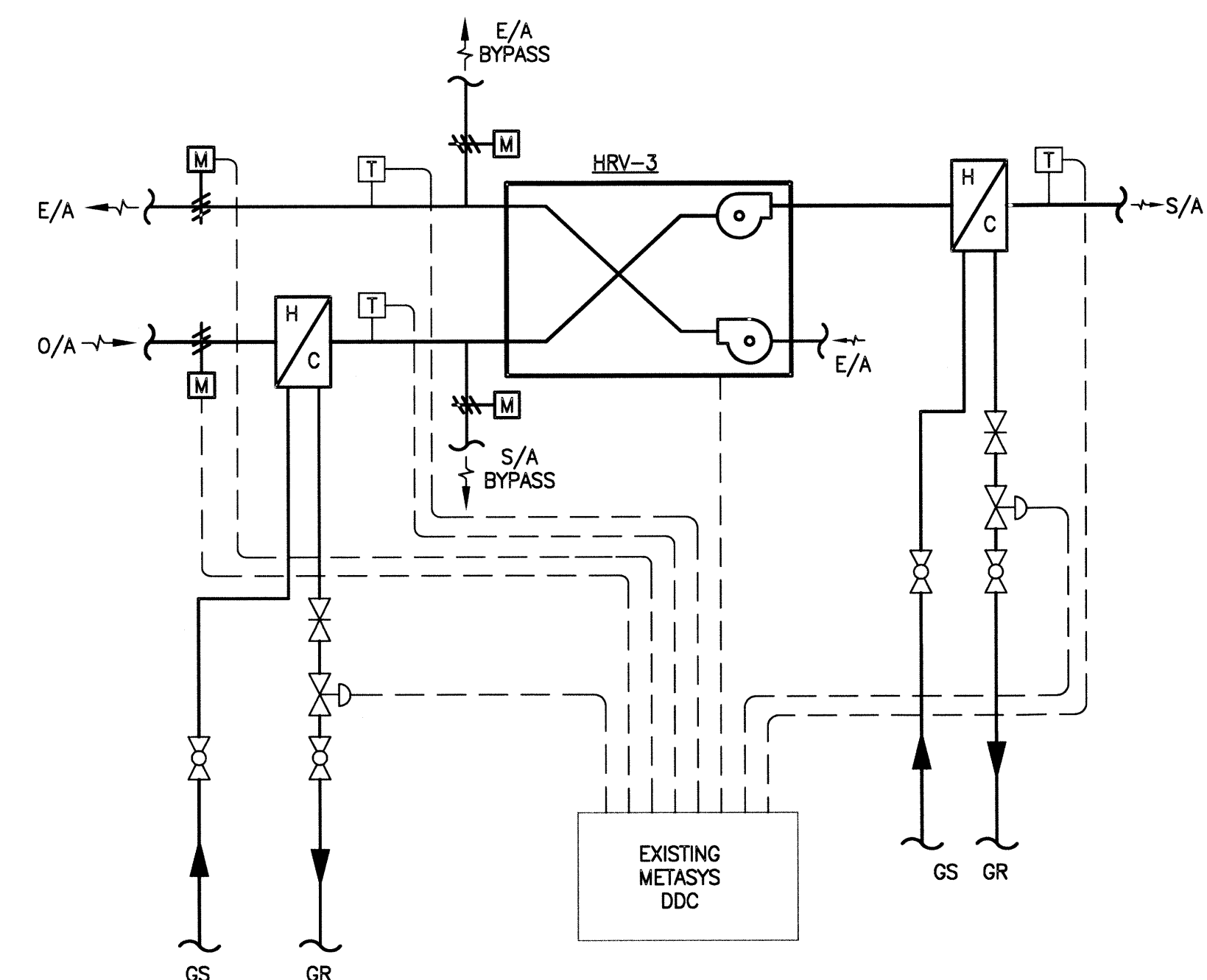
NOTE: UNIT COMPLETE WITH INTEGRAL O/A FLOW & CO<sub>2</sub> SENSORS.

**2 AHU-2 CONTROL SCHEMATIC**  
SCALE: N.T.S.

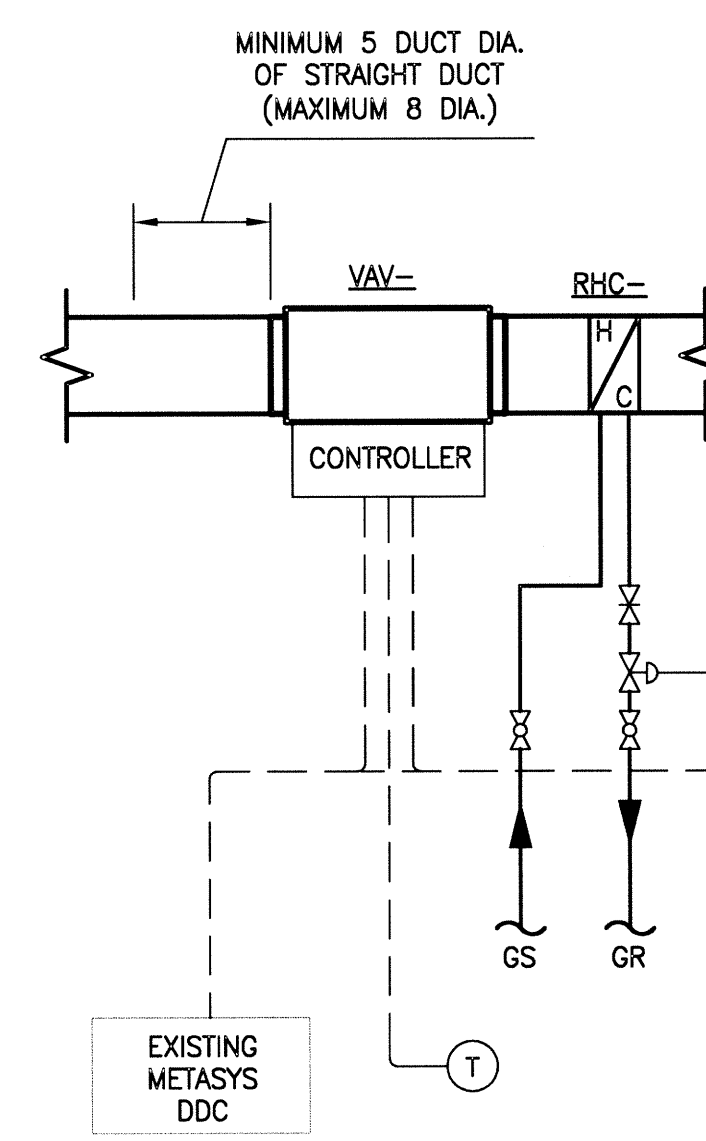


- NOTES:
- \* DENOTES SENSORS SUPPLIED AND INSTALLED BY CONTROLS CONTRACTOR. SENSORS ARE WIRED TO DDC BY CONTROLS CONTRACTOR.
  - VFD'S SUPPLIED AND INSTALLED BY AHU VENDOR. VFD'S CONNECTED DIRECTLY TO DDC BY CONTROLS CONTRACTOR.
  - DAMPER CONTRACTOR ACTUATORS SUPPLIED, INSTALLED AND CONTROLLED BY AHU VENDOR CONTROL

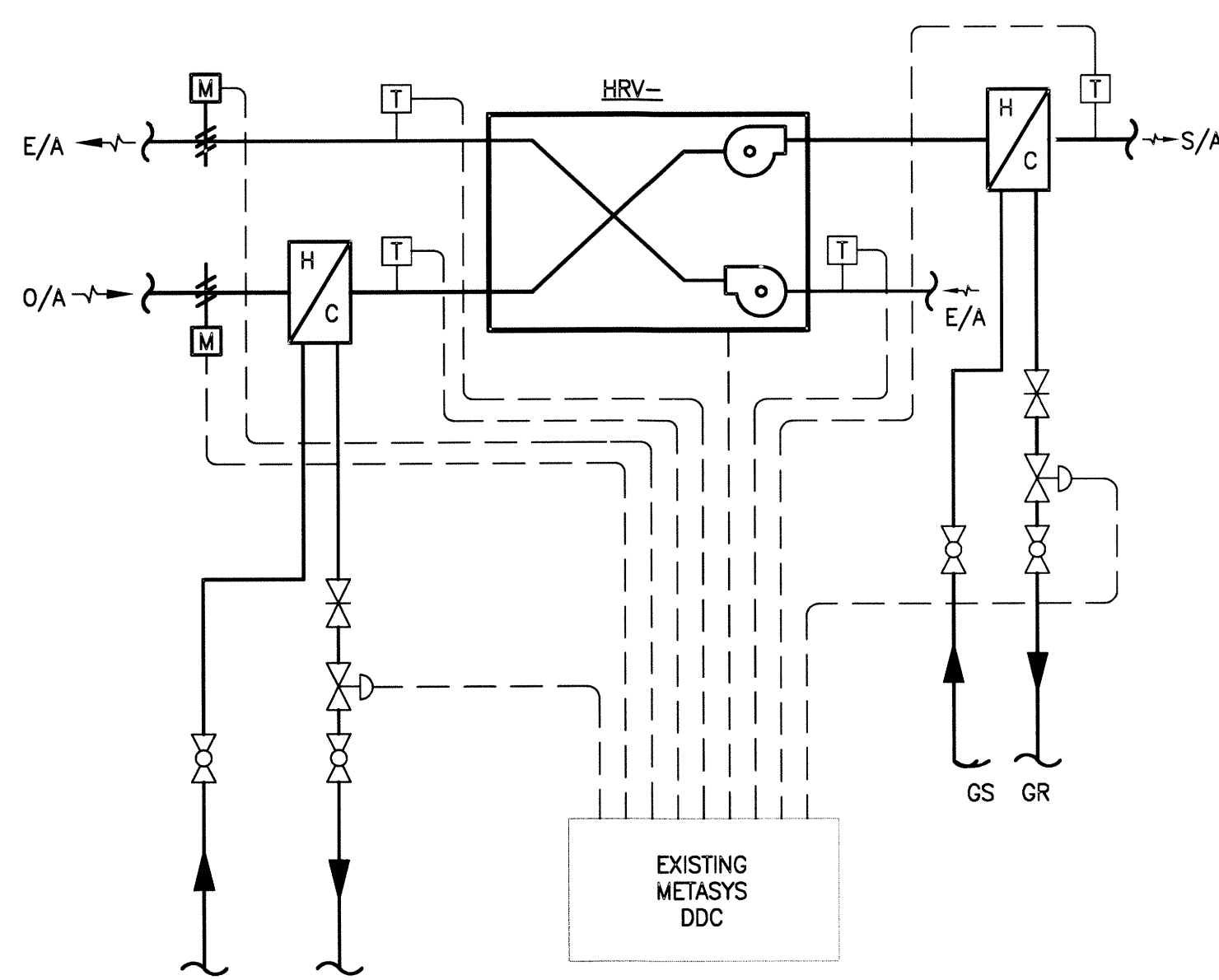
**1 SPLASH PAD DEHUMIDIFICATION UNIT CONTROL SCHEMATIC**  
SCALE: N.T.S.



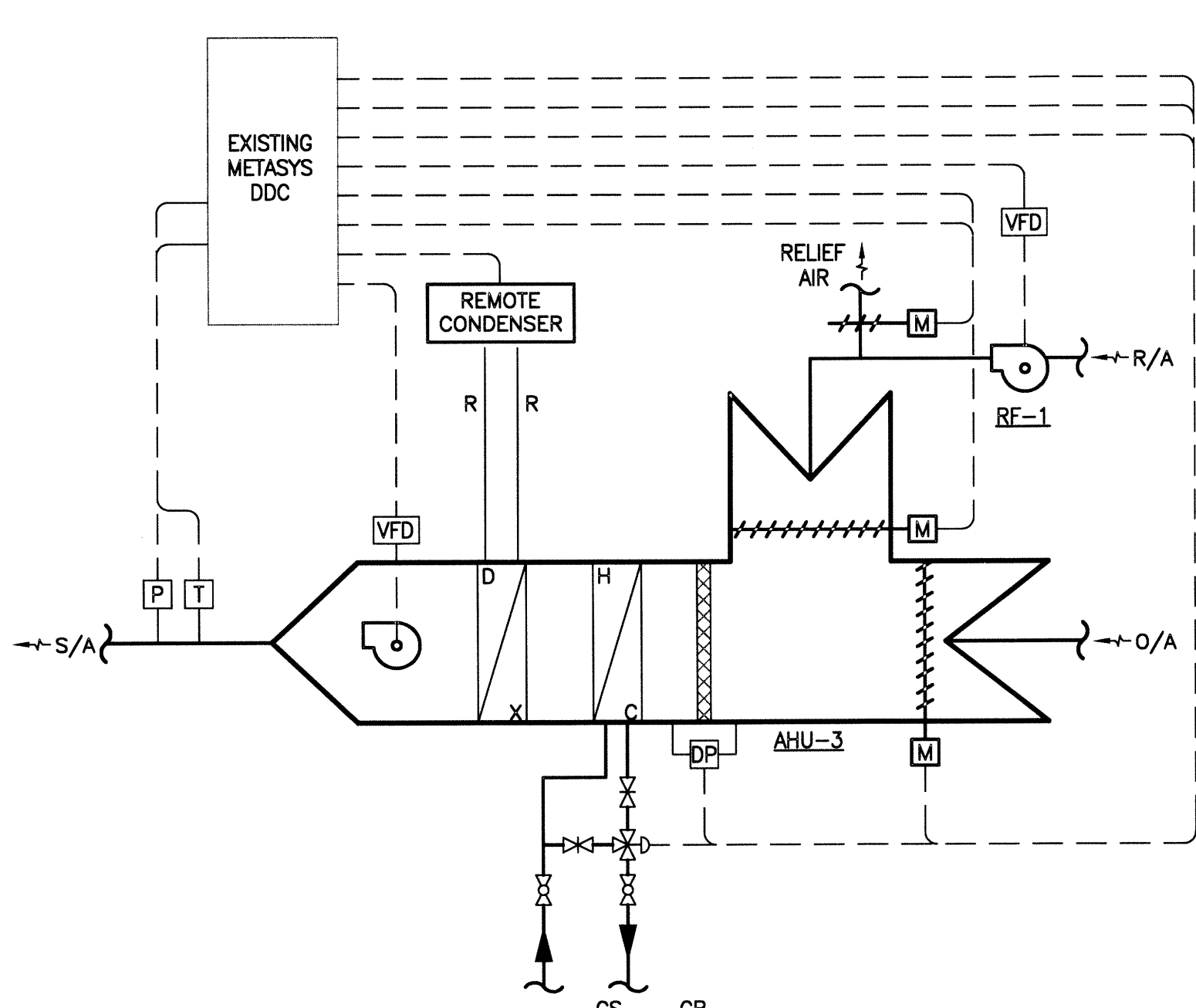
**6 HRV-3 CONTROL SCHEMATIC**  
SCALE: N.T.S.



**5 VAV AND RHC CONTROL SCHEMATIC**  
SCALE: N.T.S.



**4 HRV-1, HRV-2 CONTROL SCHEMATIC**  
SCALE: N.T.S.



- NOTES:
- DAMPER ACTUATORS SUPPLIED AND INSTALLED BY CONTROLS CONTRACTOR.

**3 AHU-3 CONTROL SCHEMATIC**  
SCALE: N.T.S.

File Name: P:\Projects\2014\14-1736-008\Mech\14-1736-008\_M6-03.dwg - Tab: M6-03 Plotted By: cderoché 16/07/13 [Wed 4:05pm]