

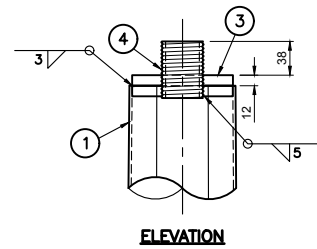
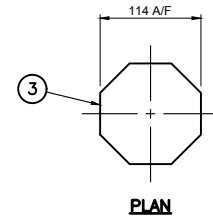
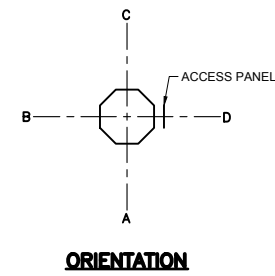
BILL OF MATERIALS

MK. NO.	QTY. REQ'D.	DESCRIPTION	SIZE	MATERIAL	REMARKS	LINE NO.
		3.048 m (10') STRAIGHT POLE – S10				1
1	1	OCTAGONAL SECTION SHAFT	178 A/F – 120 A/F x 3.083	CSA G40.21 350W		2
2	1	BASE PLATE	25 x 305 x 305	CSA G40.21 300W		3
3	1	CAP PLATE	114 A/F x 12 THK.	CSA G40.21 300W		4
4	1	PIPE (1 1/2") NPS	48 O.D. X 64	ASTM A53 GR. B SCH. 40	CLEAN AFTER GALVANIZING	5
5	1	ACCESS PANEL			SEE NOTE 6	6

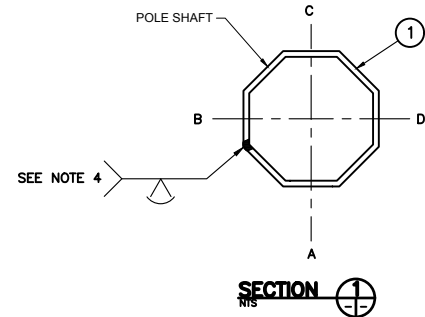
APPROXIMATE TOTAL MASS = 61 kg

NOTES:

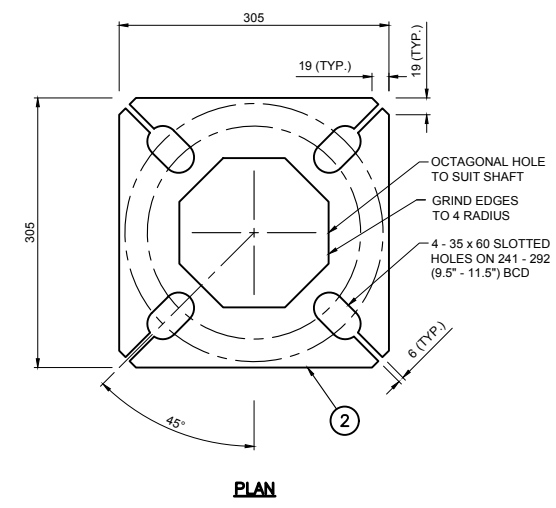
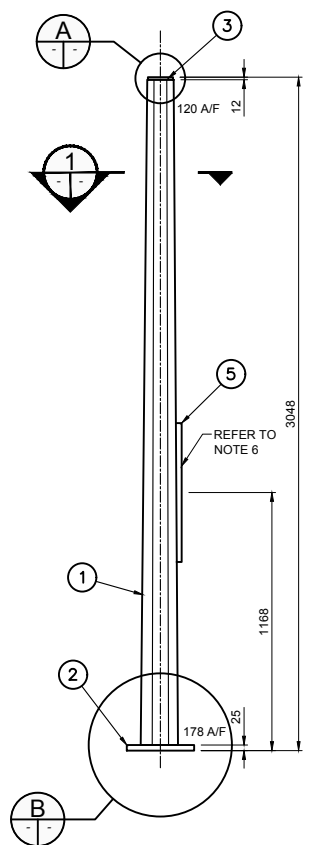
- ALL MATERIALS, EXCEPT STAINLESS STEEL ITEMS, SHALL BE HOT DIP GALVANIZED IN ACCORDANCE WITH ASTM A123-09 (PLUS LATEST REVISIONS) WITH NET RETENTION OF 610 g/m².
- PROVIDE RAISED IDENTIFICATION NUMBER WITH WELDING ELECTRODE AS PER SPECIFICATION, STRUCTURE TYPE CODE = S10.
- GRIND ALL SHARP POINTS AND EDGES.
- LONGITUDINAL SEAM WELD SHALL HAVE 60% MINIMUM PENETRATION EXCEPT WITHIN 150 mm OF BASE PLATE AND CAP PLATE SHALL BE COMPLETE PENETRATION.
- EXTERIOR WELD JOINING SHAFT TO BASE PLATE SHALL BE AN UNEQUAL LEG FILLET WELD WITH THE LONG LEG OF THE WELD ALONG THE SHAFT, TERMINATING AT 30' FROM THE SHAFT'S SURFACE.
- PROVIDE ACCESS PANEL IN ACCORDANCE WITH SHEET 17.



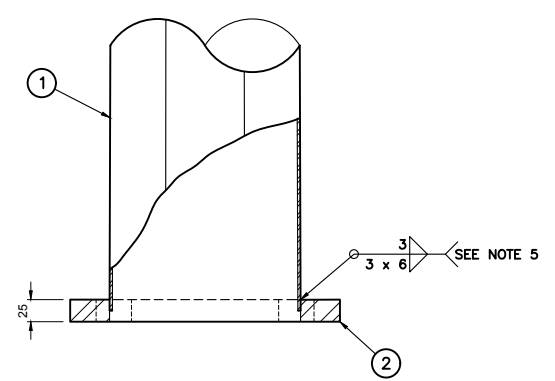
CAP PLATE DETAIL



SECTION



PLAN



ELEVATION

BASE PLATE DETAIL

APEGM
 Certificate of Authorization
 Dillon Consulting Limited (MB)
 No. 1789 Date: JAN. 10, 2014

REDUCED DRAWING
N.T.S.

DESIGNED BY CDW				THE CITY OF WINNIPEG PUBLIC WORKS DEPARTMENT	
DRAWN BY JGW				CITY DRAWING NUMBER S-SD-14	
CHECKED BY SSR		HOR. SCALE NTS	RELEASED FOR CONSTRUCTION	3.05 m (10') STRAIGHT POLE	
APPROVED BY -				CONSULTANT PROJECT NUMBER 12-5954	
2 REVISED BY DILLON CONSULTING 2/24/14 CDW		VERTICAL NTS	DATE	SHEET 14 OF 17	
1 ISSUED BY DILLON CONSULTING 1/10/14 CDW		DATE	DATE	CONSULTANT DRAWING NUMBER N/A	
NO. REVISIONS		DATE	BY	DATE	

V:\Traffic Signals\7. Projects\Projects\Coordination\Product Specification Dwg\New Folder\S-SD-14_10' Straight Pole.dwg