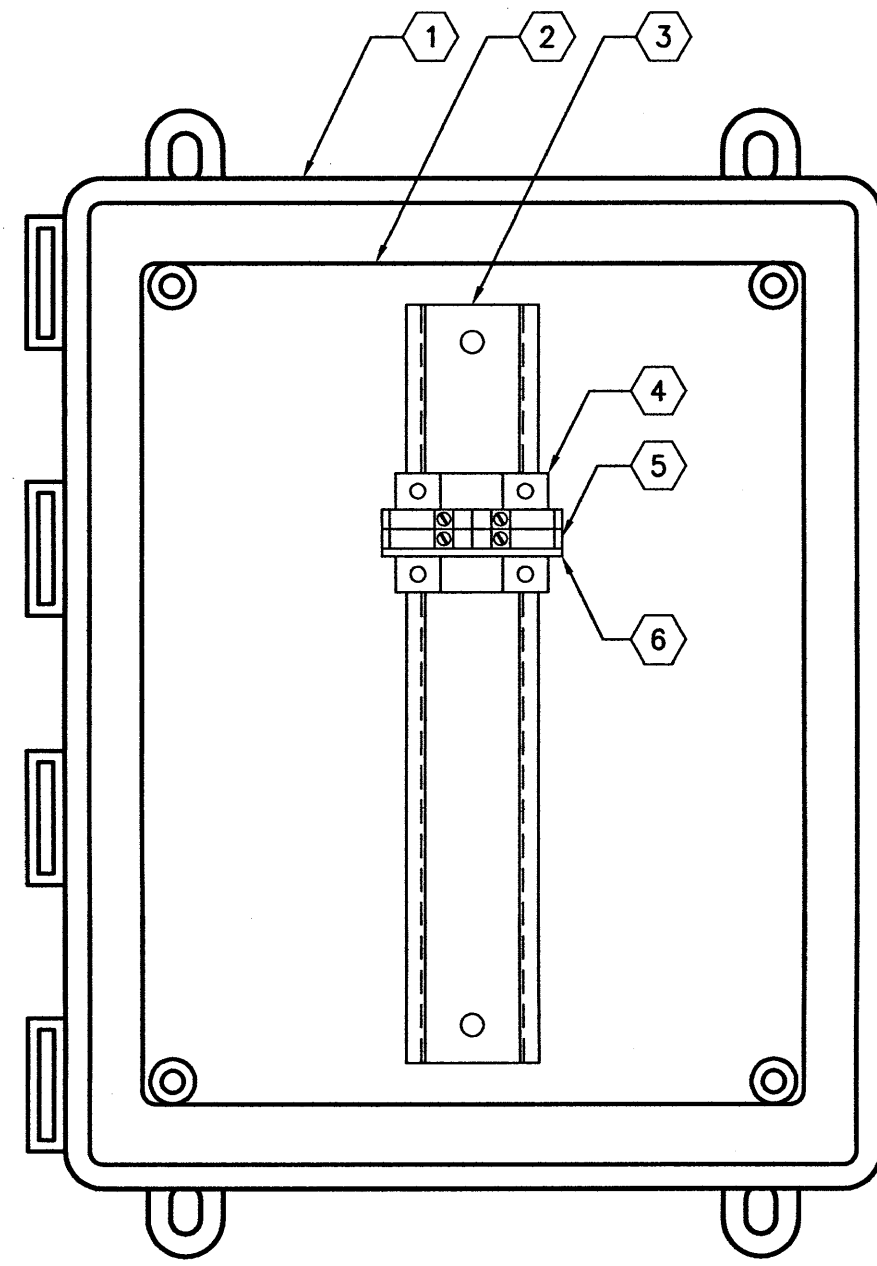
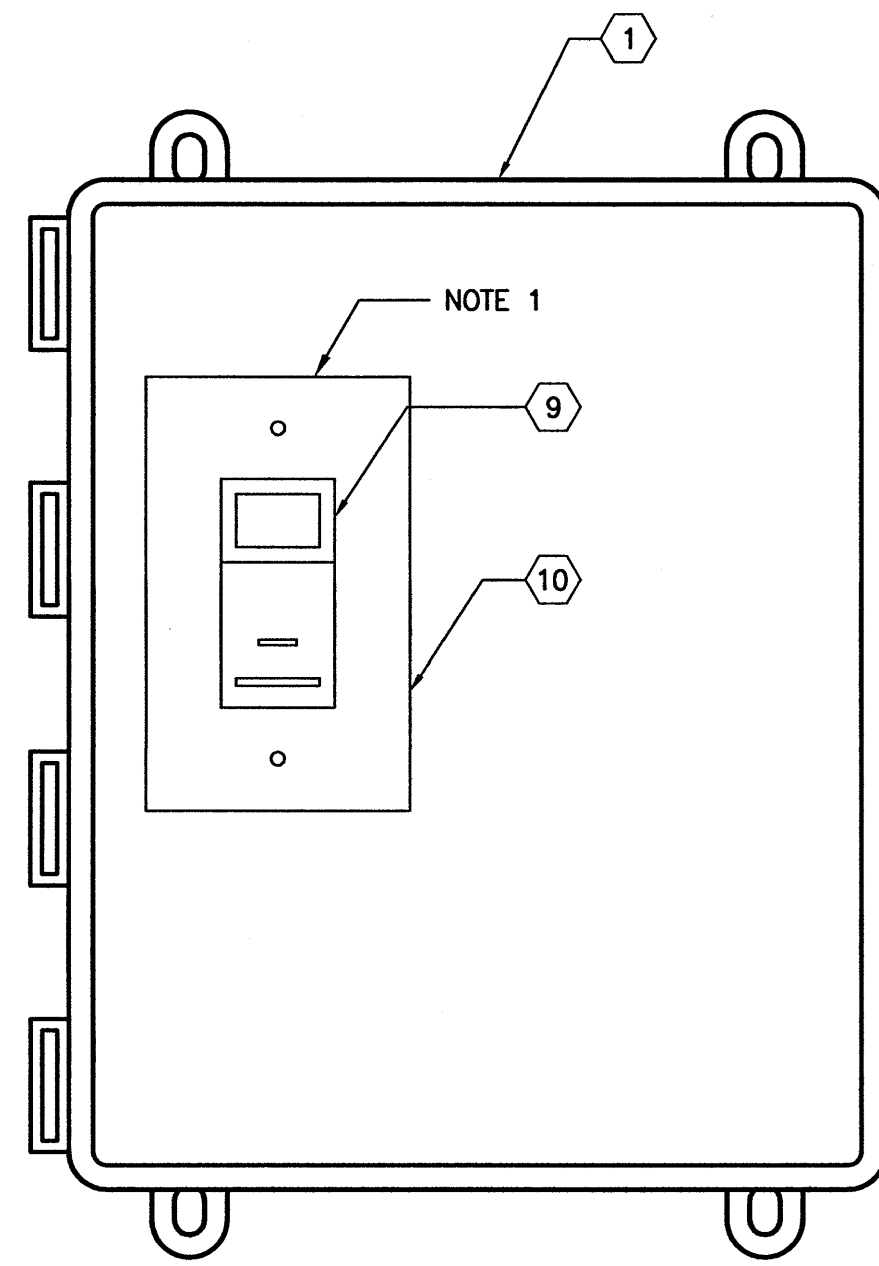


NOTES:

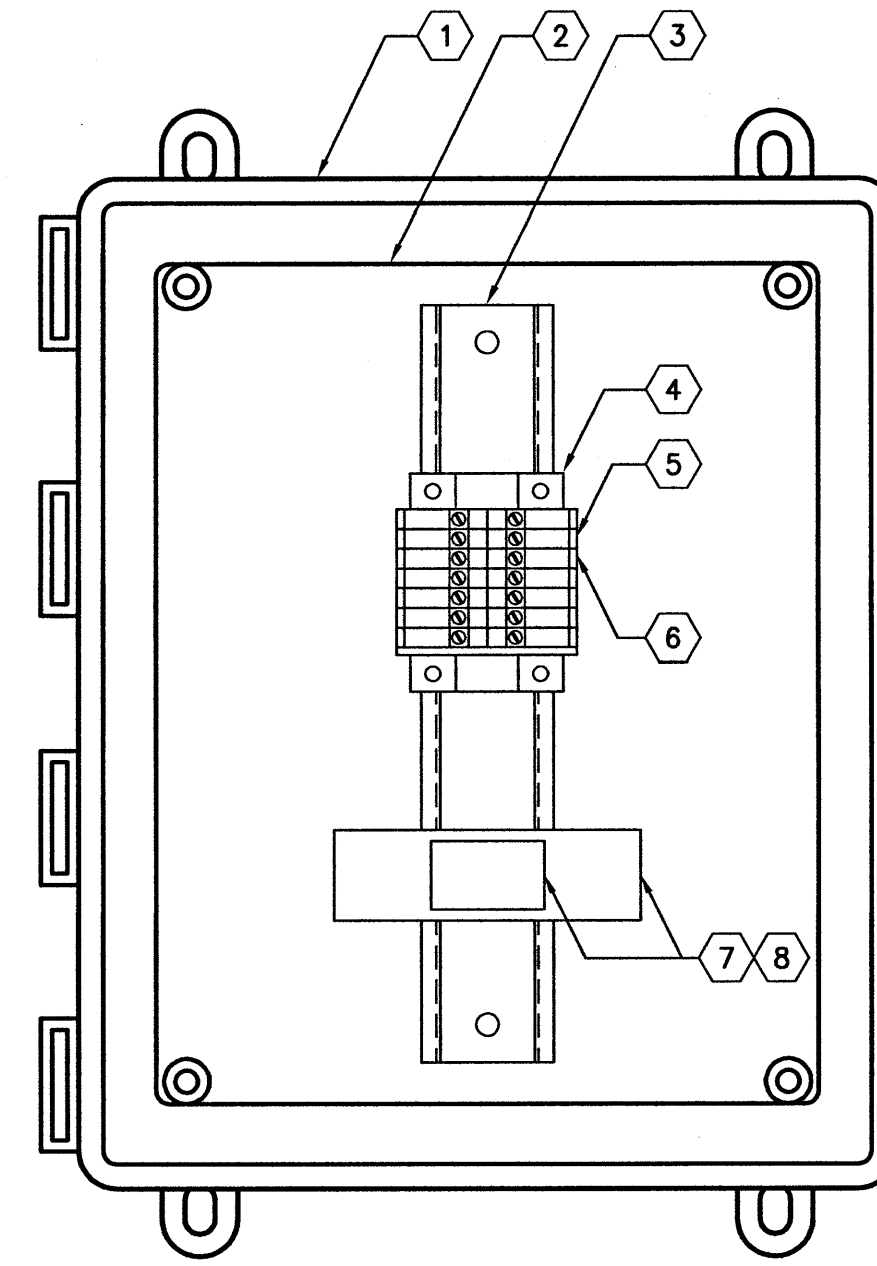
1. PROVIDE EXCESS WIRE TO ALLOW ENCLOSURE DOOR TO BE OPENED.



INTERIOR VIEW



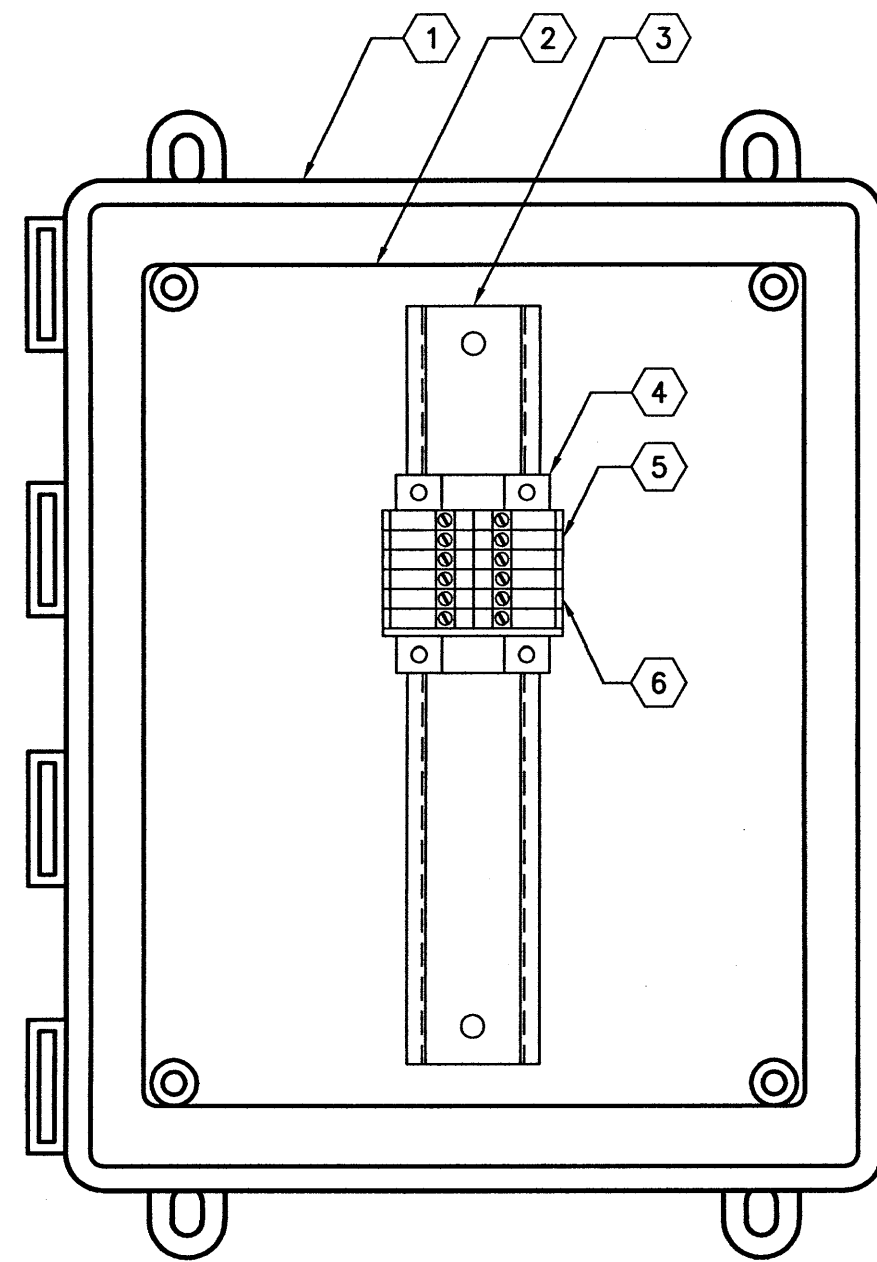
EXTERIOR VIEW



INTERIOR VIEW

1
JUNCTION BOX
JBA-Z0003, JBA-Z0007, JBA-Z0041
SCALE: N.T.S.

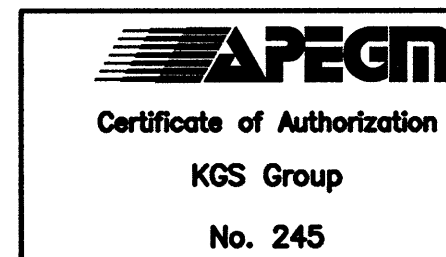
3
ADP-Z801 DETAIL
SCALE: N.T.S.



INTERIOR VIEW

2
JUNCTION BOX
JBA-Z6010, JBA-Z6060
SCALE: N.T.S.

BILL OF MATERIALS					
ITEM	QUANTITY	PART NUMBER	MANUFACTURER	DESCRIPTION	NOTES
1	6	A1086CHQRF6	PENTAIR	254mm x 203mm x 152mm ENCLOSURE	
2	6	A10PBAL	PENTAIR	222mm x 175mm JUNCTION BOX PANEL	
3	AS REQUIRED	1206421	PHOENIX CONTACT	7.5mm x 35mm x 2000m PERFORATED DIN RAIL	
4	12	1201442	PHOENIX CONTACT	TERMINAL END CLAMP	
5	25	3046184	PHOENIX CONTACT	35mm FEED-THROUGH TERMINAL	
6	6	3047141	PHOENIX CONTACT	TERMINAL END PLATE	
7	1	MM2P,100/(110)VAC	OMRON	120VAC RELAY	
8	1	8PFA	OMRON	RELAY SOCKET	
9	1	IPS15	LEVITON	OCCUPANCY SENSOR	
10	1	84401-40	LEVITON	302 SS STANDARD FACEPLATE	



B.M.	-
ELEV.	-
DESIGNED BY:	C. S. ROBINSON
CHECKED BY:	J.A. BOUCHARD
DRAWN BY:	S. GUSE
APPROVED BY:	J.A. BOUCHARD
SCALE:	AS NOTED
ISSUED FOR CONSTRUCTION BY:	
DATE:	2016/06/27
CONSULTANT NO.:	15-0107-019_E08
NO.	00
REVISIONS	ISSUED FOR CONSTRUCTION
DATE	2016/09/02
DESIGN CHECK	JDN

KGS GROUP
CONSULTING ENGINEERS

ENGINEER'S SEAL

THE CITY OF WINNIPEG
WATER AND WASTE DEPARTMENT

WEST END SEWAGE TREATMENT PLANT
EFFLUENT MONITORING STATION
JUNCTION BOX LAYOUT AND BILL OF MATERIALS
JBA-Z0003, JBA-Z0007, JBA-Z0041, JBA-Z6010,
JBA-Z6060, ADP-Z801

CITY DRAWING NUMBER: 1-0103-ACBD-2008
SHEET: 00
REV: A1
SIZE: A1