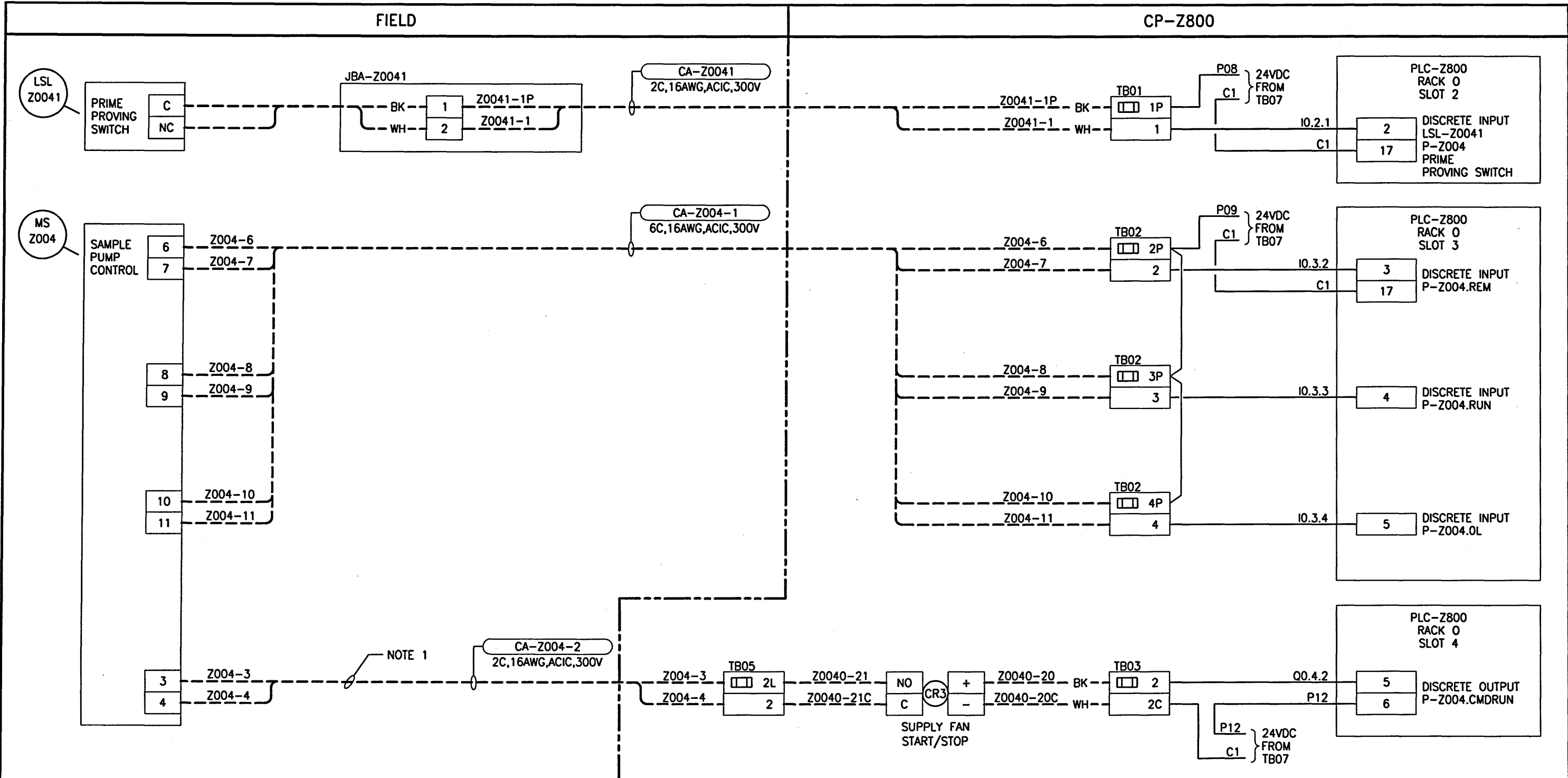


B SIZE - 279mm x 432mm

Filename: P:\Projects\2015\15-0107-019\Eng\Elec\15-0107-019_E23.dwg - Tab: E23 Plotted By: dderoche 09/02/2016 [Fr. 3:26pm]



NOTES:
1. CABLE CONTAINS 120VAC CIRCUIT.

LEGEND:
 _____ PANEL WIRING
 - - - - - FIELD WIRING



KGS GROUP CONSULTING ENGINEERS				
DESIGNED BY:	C. S. ROBINSON	CHECKED BY:	J.A. BOUCHARD	
DRAWN BY:	D. SHABATAEV	APPROVED BY:	J.A. BOUCHARD	
SCALE:	N.T.S.	DATE:	2016/06/06	
BY:	RELEASED FOR CONSTRUCTION DATE:			
NO.	REVISIONS	DATE	DESIGN	CHECK
00	ISSUED FOR CONSTRUCTION	2016/09/02	DDW	MS
CONSULTANT NO.:		15-0107-019_E23		

ENGINEER'S SEAL

16/09/02

THE CITY OF WINNIPEG
WATER AND WASTE DEPARTMENT

WEST END SEWAGE TREATMENT PLANT
EFFLUENT MONITORING STATION
LOOP DIAGRAM
LSL-Z0041, MS-Z004

CITY DRAWING NUMBER	SHEET	REV.	SIZE
1-0103-AILD-Z003	1	00	B