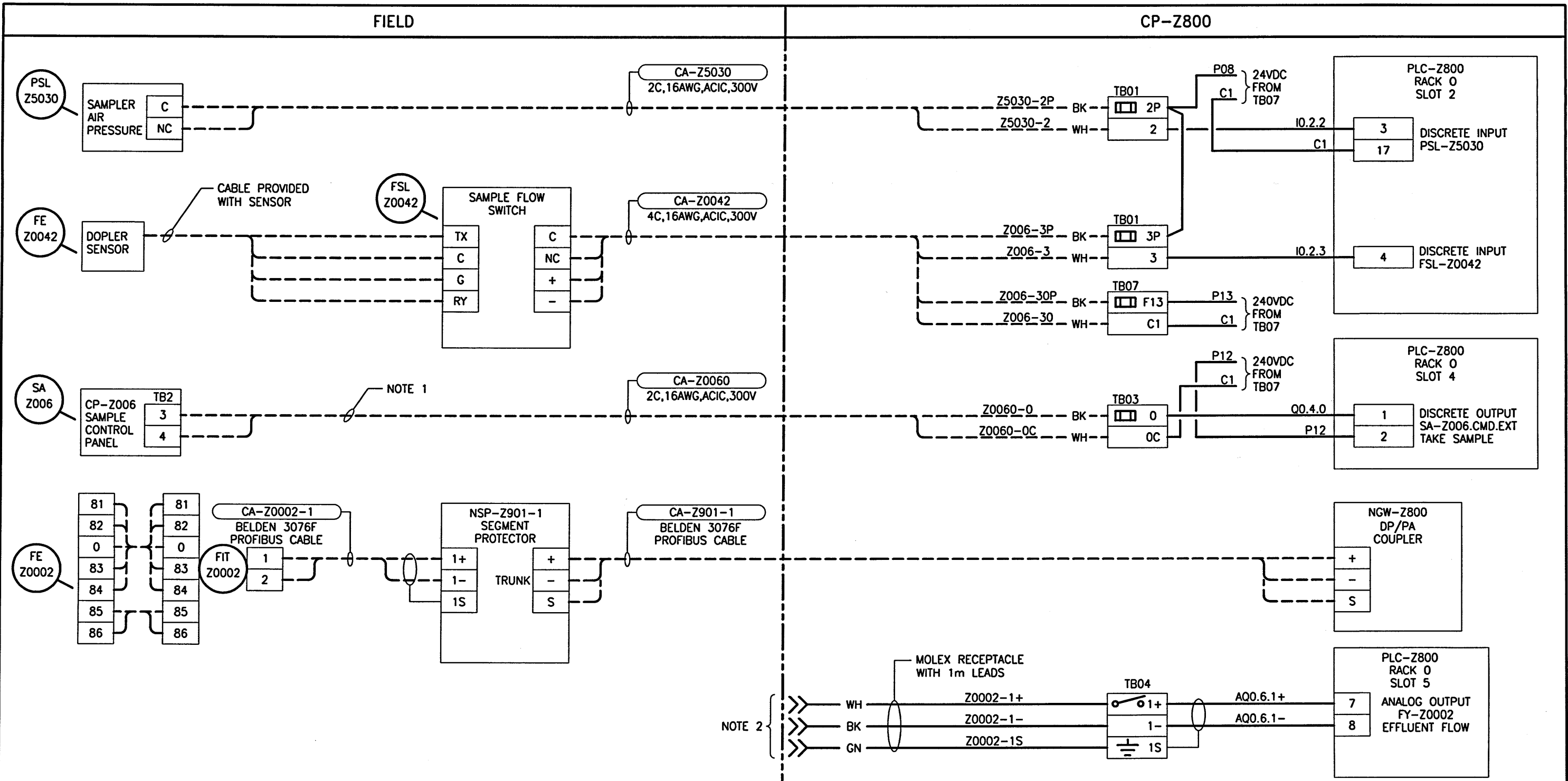


B SIZE - 279mm x 432mm

Filename: P:\Projects\2015\15-0107-019_E24.dwg - Tab: E24 Plotted By: dderoche 09/02/2016 [Fri 1:12pm]



NOTES:
 1. CIRCUIT IS 120VAC POWERED.
 2. PLUG AND RECEPTACLE CONNECTION FOR PROVINCE MONITORING SYSTEM.

LEGEND:
 _____ PANEL WIRING
 - - - - - FIELD WIRING



KGS GROUP CONSULTING ENGINEERS			
DESIGNED BY: C. S. ROBINSON	CHECKED BY: <i>J.A. BOUCHARD</i>	DATE:	2016/06/06
DRAWN BY: D. SHABATAEV	APPROVED BY: <i>J.A. BOUCHARD</i>	SCALE:	N.T.S.
BY:		RELEASED FOR CONSTRUCTION DATE:	
NO.	REVISIONS	DATE	DESIGN CHECK
00	ISSUED FOR CONSTRUCTION	2016/09/02	<i>DN JAS</i>

CONSULTANT NO.:	15-0107-019_E24
-----------------	-----------------

ENGINEER'S SEAL

16/09/02

THE CITY OF WINNIPEG
 WATER AND WASTE DEPARTMENT

**WEST END SEWAGE TREATMENT PLANT
 EFFLUENT MONITORING STATION
 LOOP DIAGRAM**

PSL-Z5030, FSL-Z0042, SA-Z006, FE-Z0002, FIT-Z0002

CITY DRAWING NUMBER	SHEET	REV.	SIZE
1-0103-AILD-Z004	1	00	B