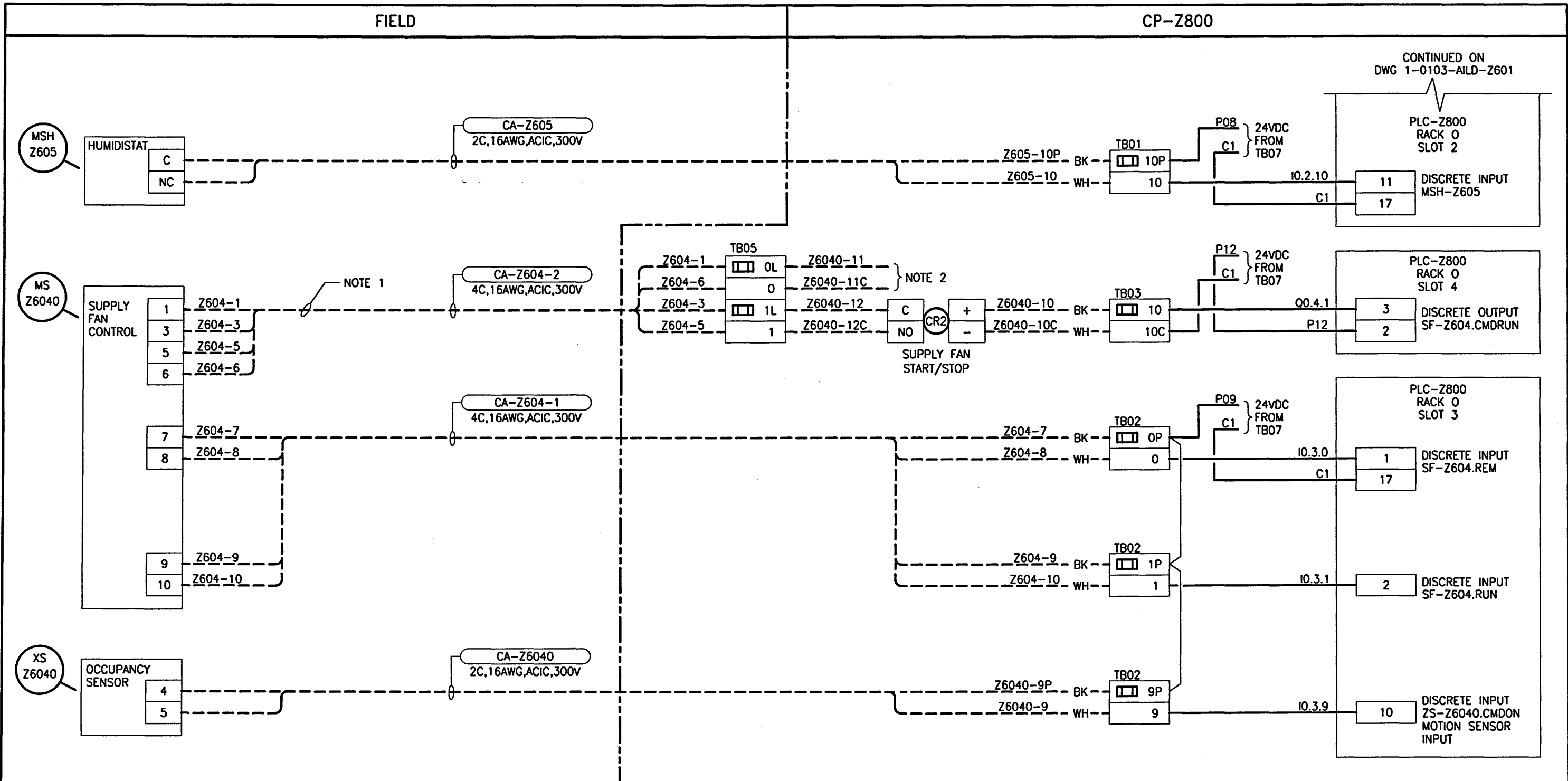


B SIZE - 279mm x 432mm

File Name: P:\Projects\2015\15-0107-019\019_E26.dwg - Tab: E26 Plotted By: cderoche 09/02/2016 [Fri 1:11pm]



NOTES:
 1. CIRCUIT IS 120VAC POWERED.
 2. CONTINUED ON DRAWING 1-0103-AILD-Z601.

LEGEND:
 _____ PANEL WIRING
 - - - - - FIELD WIRING



NO.	REVISIONS	DATE	DESIGN	CHECK
00	ISSUED FOR CONSTRUCTION	2016/09/02	DDW	MS

KGS GROUP | CONSULTING ENGINEERS

DESIGNED BY: C. S. ROBINSON
 CHECKED BY: J.A. BOUCHARD
 DRAWN BY: D. SHABATAEV
 APPROVED BY: J.A. BOUCHARD
 SCALE: N.T.S. DATE: 2016/06/06
 RELEASED FOR CONSTRUCTION DATE:
 BY:
 CONSULTANT NO.: 15-0107-019_E26

ENGINEER'S SEAL

16/09/02

THE CITY OF WINNIPEG
 WATER AND WASTE DEPARTMENT

WEST END SEWAGE TREATMENT PLANT
 EFFLUENT MONITORING STATION
 LOOP DIAGRAM
 MSH-Z605, HS-Z6040

CITY DRAWING NUMBER	SHEET	REV.	SIZE
1-0103-AILD-Z602	1	00	B