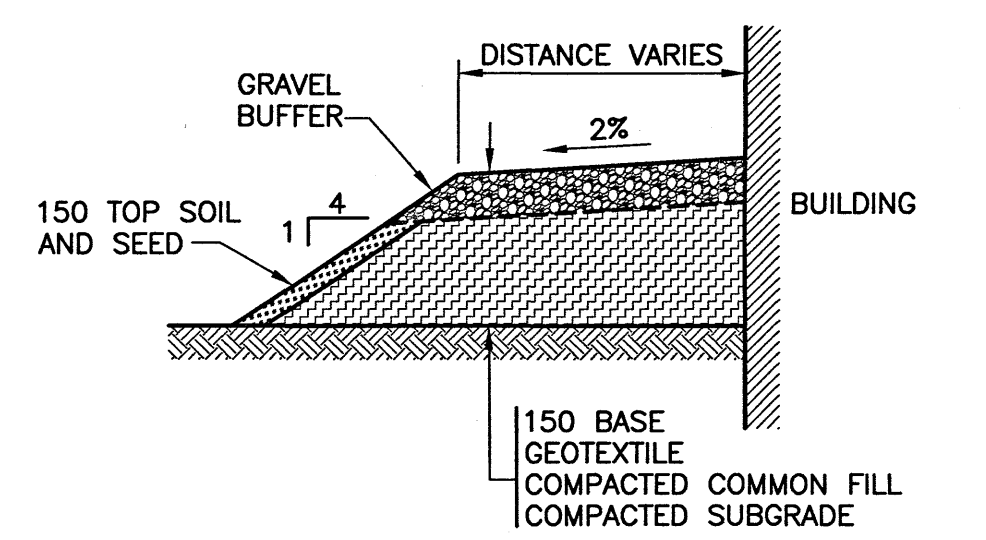


DETAIL 1 GRANULAR ROAD AND GRANULAR PARKING PAD (SOUTH OF BUILDING) X-SECTION
SCALE: NTS



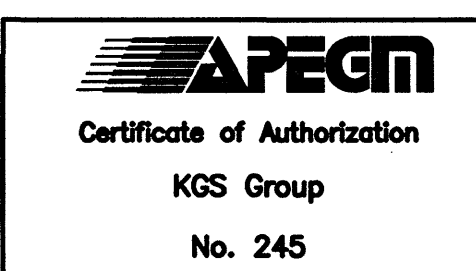
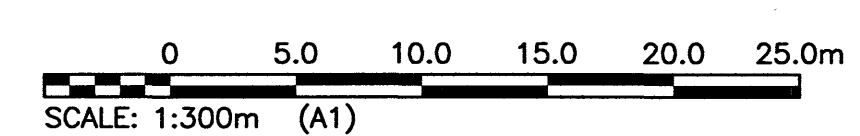
DETAIL 2 GRANULAR BUFFER NORTH OF BUILDING
SCALE: NTS

ITEM	DESCRIPTION	SPEC. REF.	UNIT	APPROX. QUANTITY
A EARTH AND BASE WORKS				
A.1	Stripping and Stockpiling Topsoil	CW3110-R19	m ³	370
A.2	Excavation	CW3110-R19	m ³	50
A.3	Sub-Grade Compaction	CW3110-R19	m ²	1,210
A.4	Supplying and Placing Clay Borrow Sub-base Material	CW3110-R19	m ³	1,005
A.5	Crushed Sub-base Material	CW3110-R19		
i)	50 mm		tonne	390
A.6	Supplying and Placing Base Course Material	CW3110-R19	m ³	95
A.7	Ditch Grading	CW3110-R19	m ²	800
A.8	Ditch Excavation	CW3110-R19	m ³	160
A.9	Separation Geotextile Fabric	CW3130-R4	m ²	660
B ASSOCIATED DRAINAGE AND UNDERGROUND WORKS				
B.1	Corrugated Steel Pipe Culvert - Supply	CW3610-R5		
i)	(600 mm, 2mm gauge, Galvanized)		m	18
C LANDSCAPING				
C.1	Seeding	CW3520-R7	m ²	960
D MISCELLANEOUS				
D.1	Chain Link Fence	CW3550-R3		
i)	4ft Height c/w 3 Barbed Wires and Removal of Existing 25 m of Fencing		m	48
D.2	Chain Link Fencing Gates	CW3550-R3	m	1.5

- NOTES:**
- LOCATION OF INTAKE PIPING IN POLISHING CELLS AS SHOWN IN PLAN ARE APPROXIMATE.
 - CONDITION OF BURIED INFRASTRUCTURE UPSTREAM OF EXISTING GATE CHAMBER.
 - ALL WORK TO BE DONE IN ACCORDANCE WITH THE LATEST VERSION OF THE CITY OF WINNIPEG CONSTRUCTION SPECIFICATIONS.
 - ALL ITEMS TO FOLLOW DESCRIPTION, MATERIALS AND CONSTRUCTION METHODS OF THE CITY OF WINNIPEG SPECIFICATIONS.
 - SUPPLY AND PLACING OF CLAY BORROW FILL MATERIAL SHALL BE PLACED IN 150 LIFTS AND COMPACTED TO 95% STANDARD PROCTOR DENSITY

METRIC
WHOLE NUMBERS INDICATE MILLIMETRES
DECIMALIZED NUMBERS INDICATE METRES

EXISTING	LEGEND-PLAN	PROPOSED	EXISTING	LEGEND-PLAN	PROPOSED
150 WM	WATER MAIN	150 WM	CONCRETE		
300 LDS	LAND DRAINAGE SEWER	300 LDS	ASPHALT		
250 WWS	WASTE WATER SEWER	250 WWS	SIDEWALK		
	HYDRO		PROPERTY LINE		
	M.T.S.		SURVEY BAR		
	HYDRANT		DITCH		
	VALVE		FENCE		
	MANHOLE	238.16	ELEVATION	(239.720)	
	CATCH BASIN		TOP SOIL/SEED		
	CURB INLET				

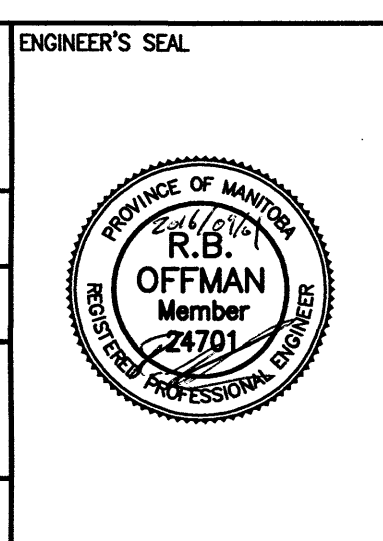


B.M. -	ELEV. -		
00	ISSUED FOR CONSTRUCTION	2016/09/02	Atk R32
NO.	REVISIONS	DATE	DESIGN/CHECK

KGS GROUP CONSULTING ENGINEERS

DESIGNED BY: A. K. WILCOTT
CHECKED BY: R.B. Offman
DRAWN BY: G. E. LOEWEN
APPROVED BY: R.B. Offman
SCALE: 1:500
DATE: 2016/01/05
ISSUED FOR CONSTRUCTION

CONSULTANT NO.: 15-0107-019_C02



THE CITY OF WINNIPEG
WATER AND WASTE DEPARTMENT

WEST END SEWAGE TREATMENT PLANT
EFFLUENT MONITORING STATION
SITE PLAN
CIVIL WORKS

CITY DRAWING NUMBER: 1-0103-CGAD-Z001
SHEET: 00
REV: A1
SIZE: A1