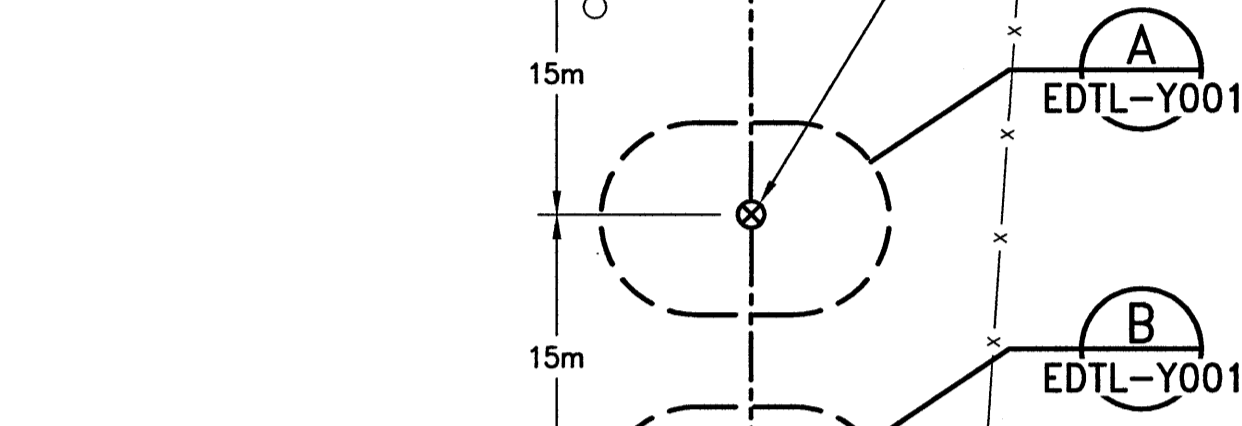


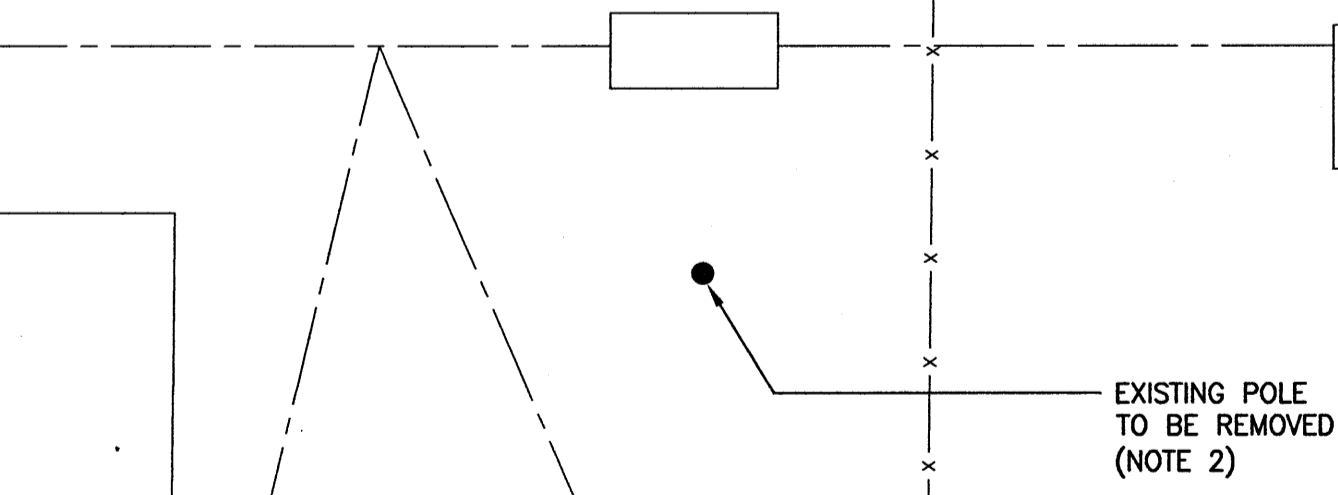
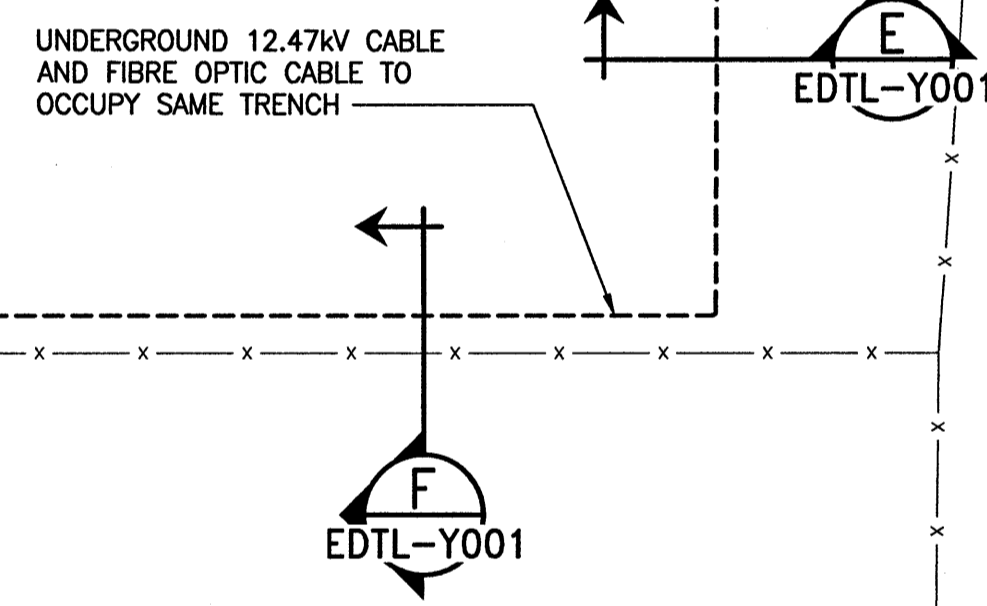
**NOTES:**

1. PROVIDE A ROXTEC CABLE TRANSIT FOR FIBRE-OPTIC CABLE PENETRATION THROUGH WALL APPROXIMATELY 4.2m AFF WITHIN SECONDARY CLARIFIER BUILDING LOWER LEVEL.
2. REMOVE AND DISPOSE OF OVERHEAD TELEPHONE CABLE BACK TO SOURCE AT WILKES AVE.
3. REFER TO CITY OF WINNIPEG FILE #WS-10661 DRAWING WEP-40-A AND CITY OF WINNIPEG DRAWING 1-0103A-C0001-001-04 FOR LOCATION OF UNDERGROUND WATER MAIN IN VICINITY OF SECONDARY CLARIFIERS. CONTRACTOR TO LOCATE AND EXPOSE ALL UNDERGROUND SERVICES IN VICINITY OF CABLE ROUTE PRIOR TO TRENCH EXCAVATION.

EXISTING RANNOCK 12.47KV FEEDER DIP POLE  
 EXISTING TANGENT POLE  
 EXISTING HEADINGLY 12.47KV FEEDER DIP POLE  
 NEW DISCONNECT POLE

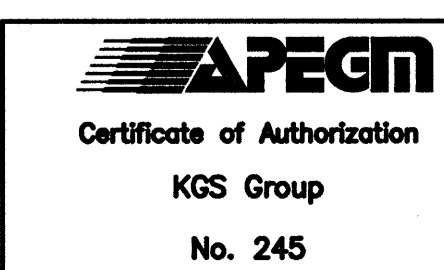
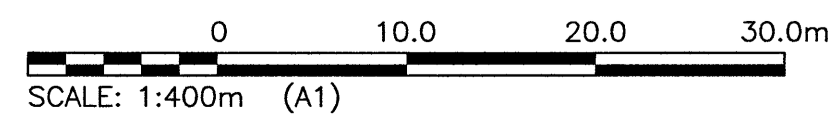


UNDERGROUND 12.47KV CABLE  
 NEW FUSE DIP POLE  
 CUTOUT AND EXISTING POLE TO BE REMOVED (NOTE 2)



**LEGEND:**

- ⊗ NEW POLE
- EXISTING POLE TO BE REMOVED
- EXISTING POLE TO REMAIN
- - - TRENCH LOCATION
- NEW OVERHEAD LINE
- EXPOSED FIBRE-OPTIC CABLE
- ← GUY WIRE



B.M. ELEV.	-
DESIGNED BY:	E. IFIONU
CHECKED BY:	J.A. BOUCHARD
DRAWN BY:	S. GUSE
APPROVED BY:	J.A. BOUCHARD
SCALE:	AS NOTED
ISSUED FOR CONSTRUCTION BY:	
DATE:	2016/05/10
CONSULTANT NO.:	15-0107-019_E18
NO.	00
REVISIONS	ISSUED FOR CONSTRUCTION
DATE	2016/09/02
DESIGN	DN
CHECK	AK

**KGS GROUP**  
CONSULTING ENGINEERS

ENGINEER'S SEAL

PROF. OF MANITOBA  
**BOUCHARD**  
Member  
20560  
REGISTERED PROFESSIONAL ENGINEER

16/09/16

**THE CITY OF WINNIPEG**  
WATER AND WASTE DEPARTMENT

WEST END SEWAGE TREATMENT PLANT  
EFFLUENT MONITORING STATION  
PARTIAL ELECTRICAL SITE PLAN  
BURIED CABLE ROUTING  
WEST END OF TREATMENT PLANT

CITY DRAWING NUMBER	SHEET	REV.	SIZE
1-0103-ECTR-Y001	00	00	A1