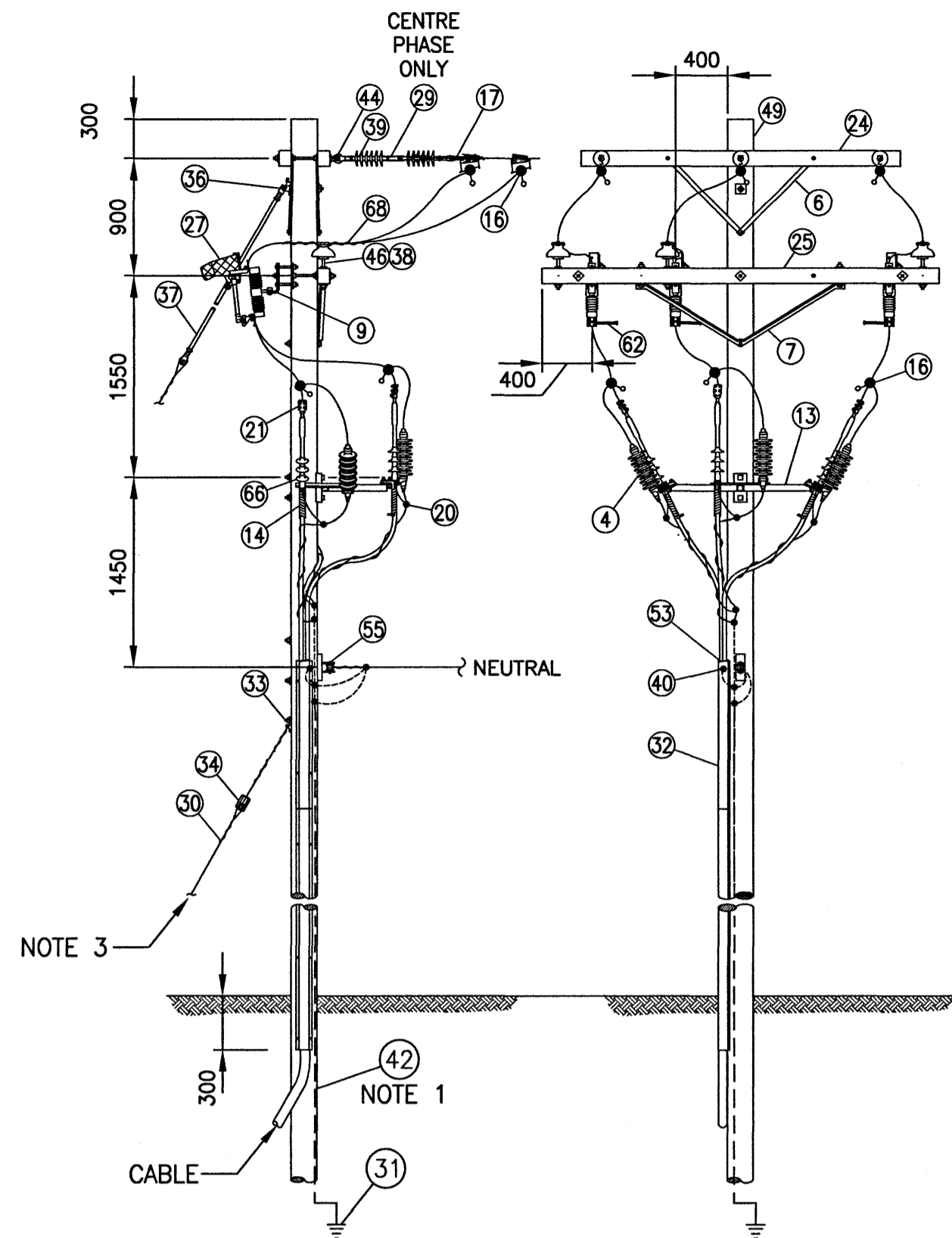
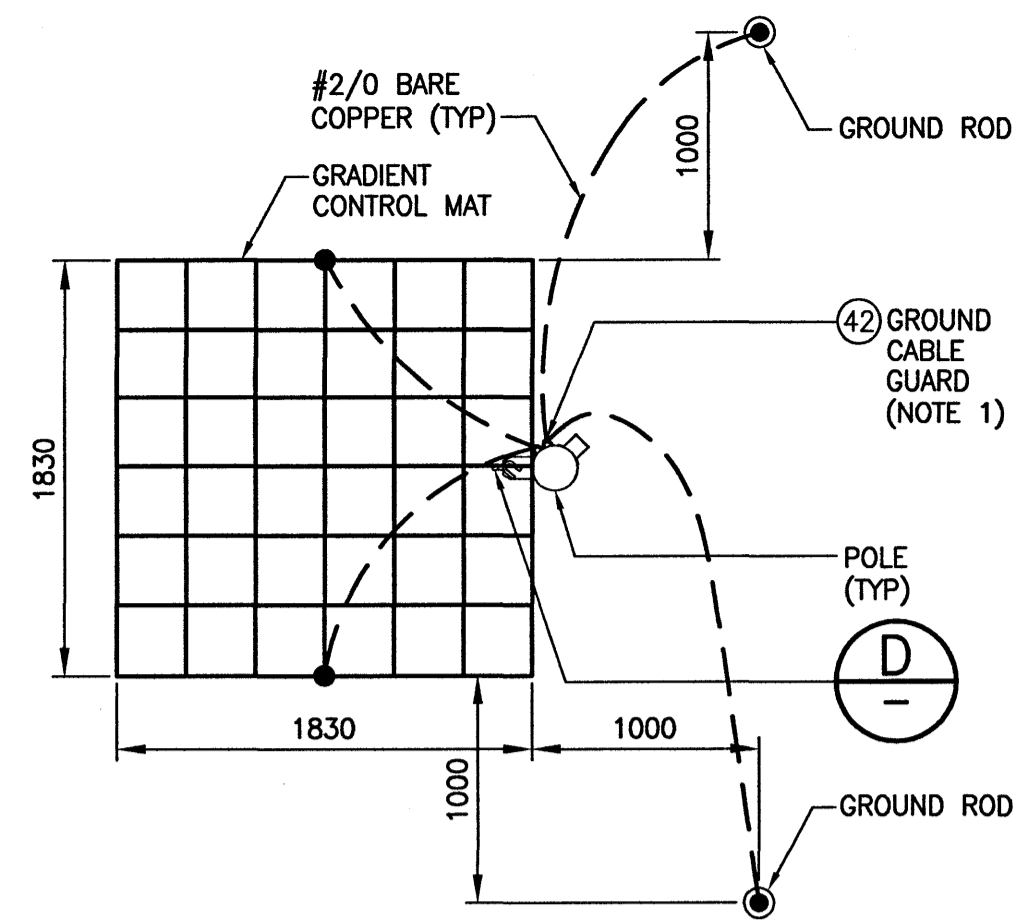


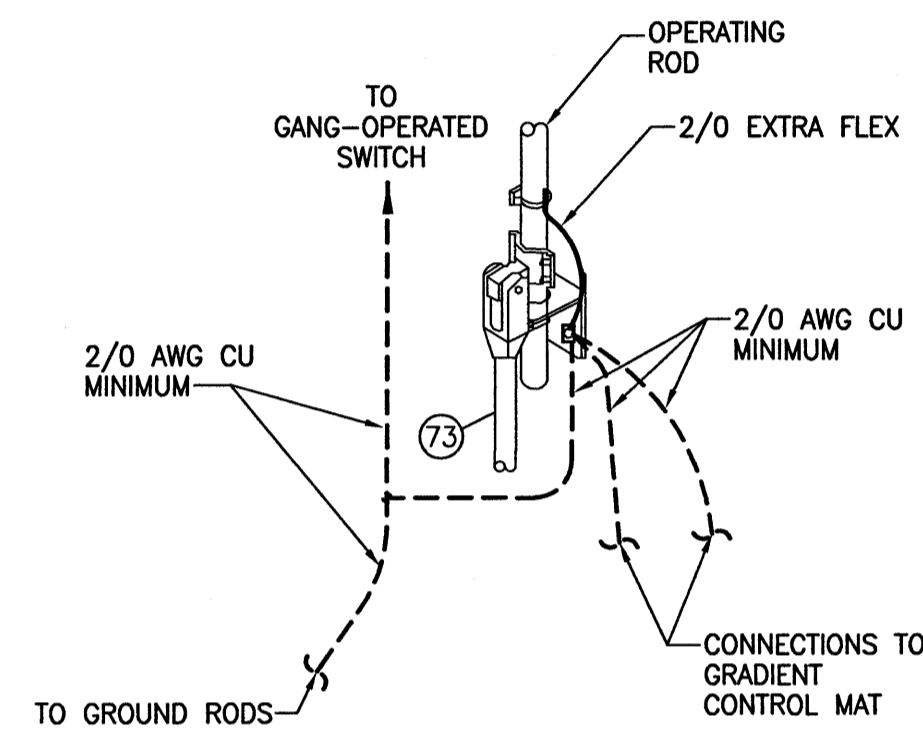
A DISCONNECT POLE DETAIL
ECTR-Y001 SCALE: N.T.S.



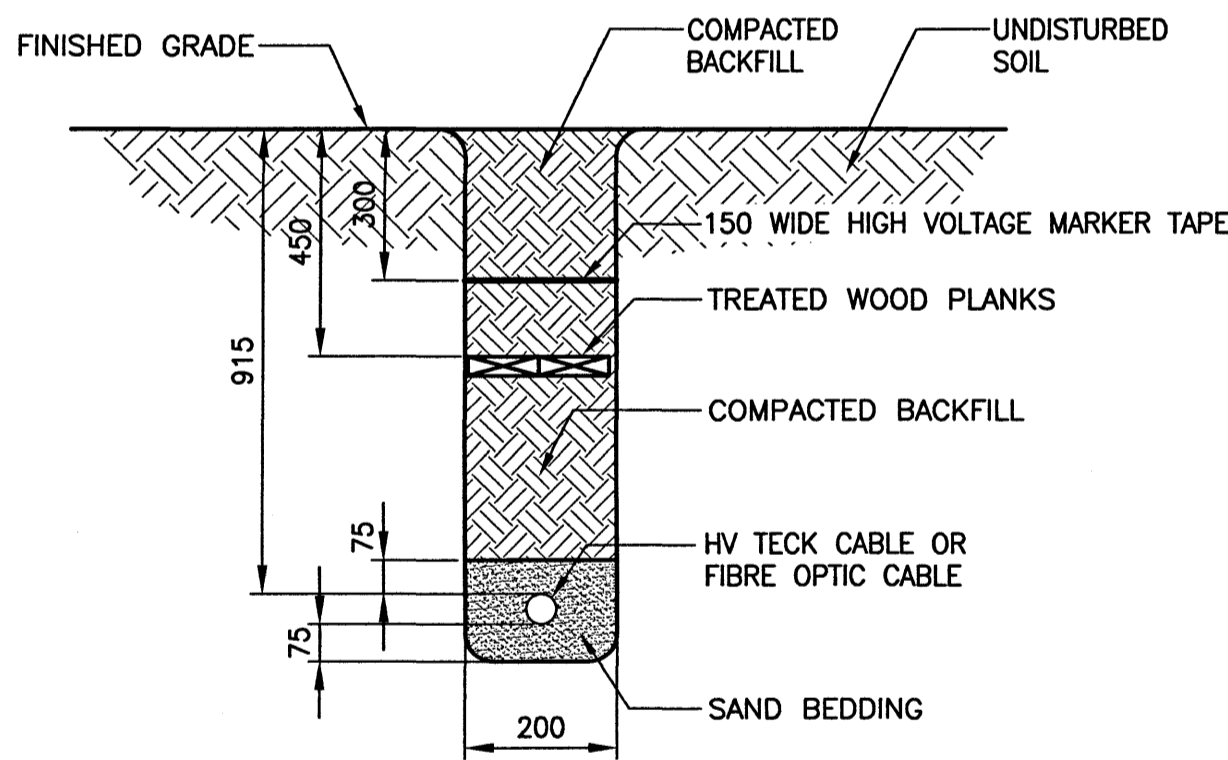
B DIP POLE DETAIL
ECTR-Y001 SCALE: N.T.S.



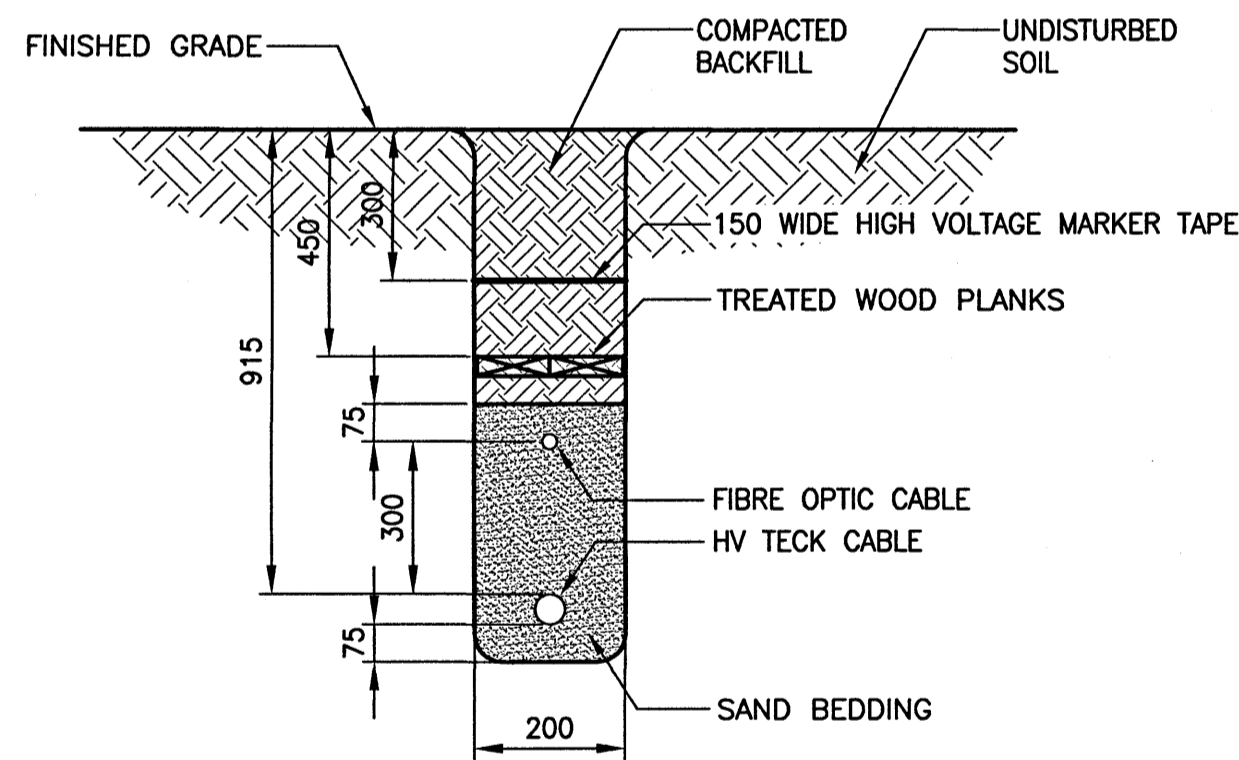
C 66kV SWITCH POLE GROUNDING
SCALE: N.T.S.



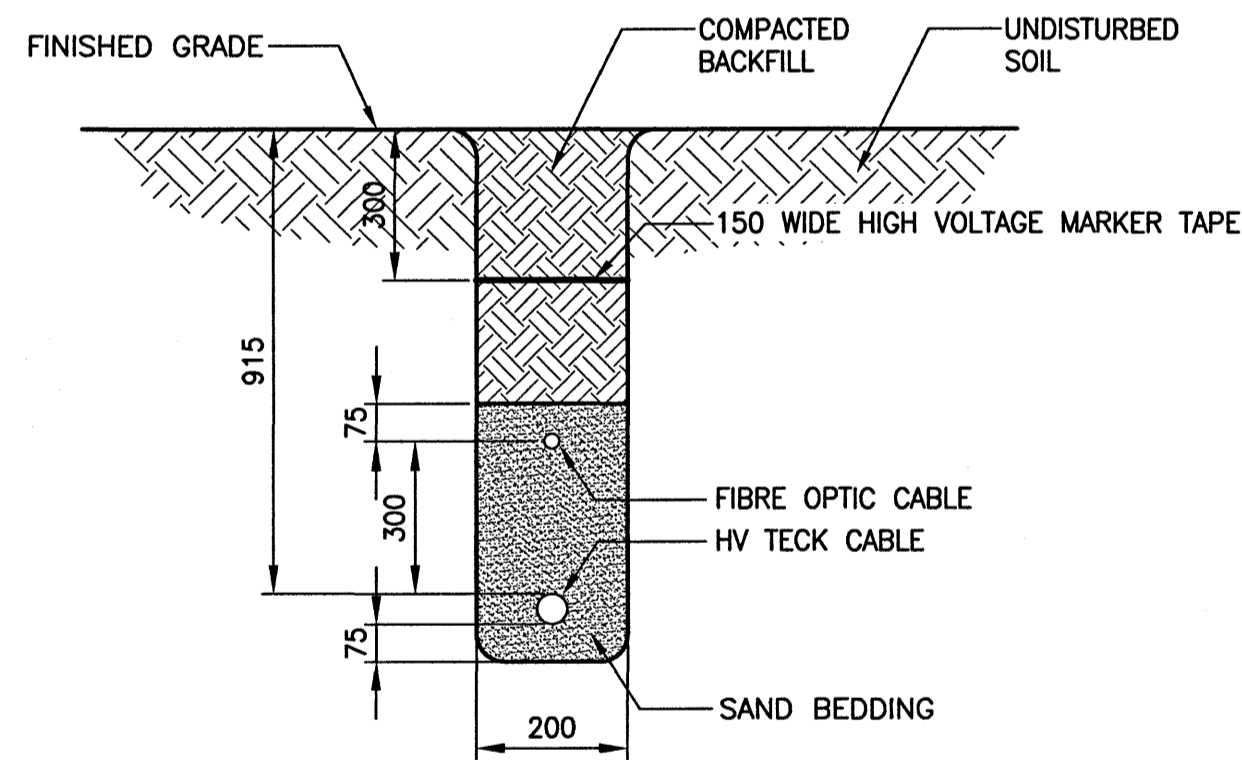
D SWITCH GROUNDING DETAIL
SCALE: N.T.S.



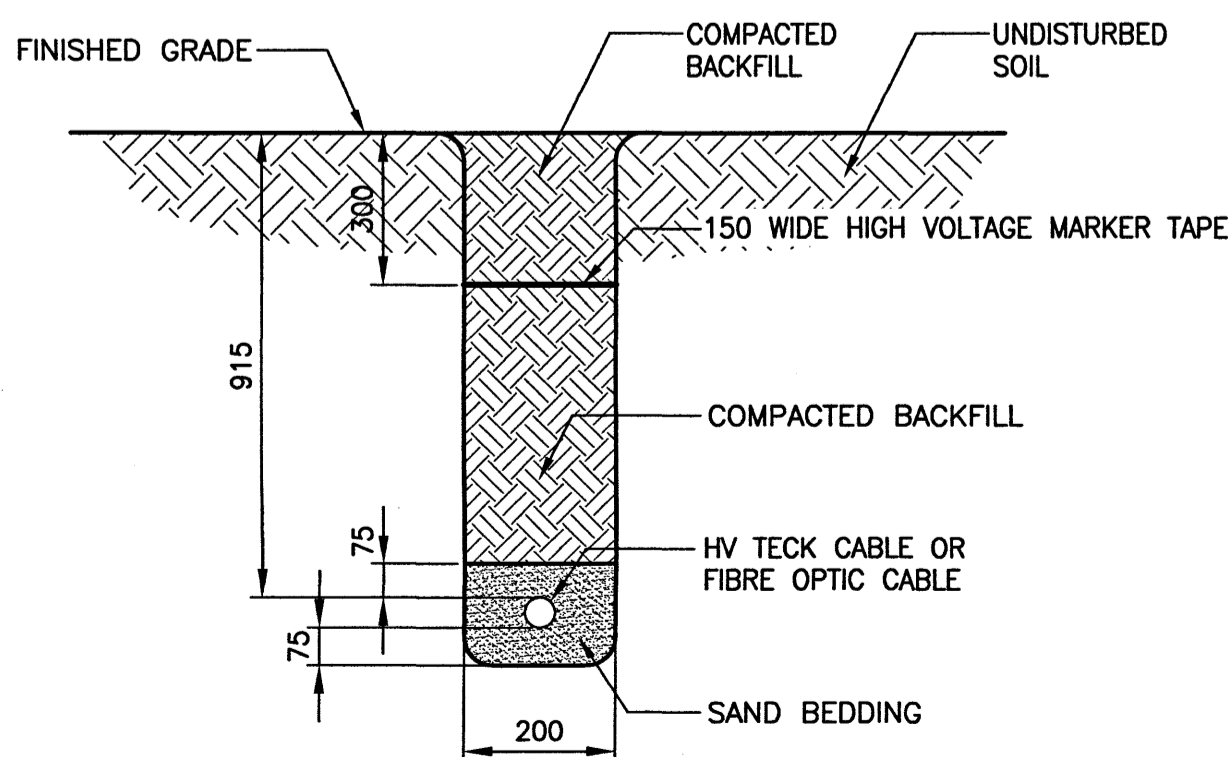
E CABLE TRENCH DETAIL
ECTR-Y001 SCALE: N.T.S.



F CABLE TRENCH DETAIL
ECTR-Y001 SCALE: N.T.S.
EGAD-Z003



G CABLE TRENCH DETAIL
EGAD-Z003 SCALE: N.T.S.
EGAD-Z004



H CABLE TRENCH DETAIL
EGAD-Z004 SCALE: N.T.S.

GRADIENT CONTROL MAT

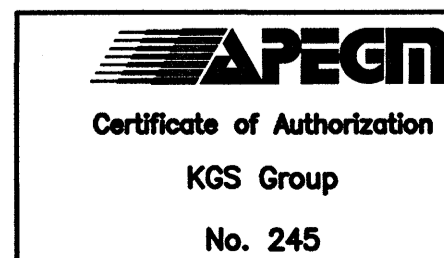
GRADIENT CONTROL MAT MUST BE PLACED ON A MINIMUM OF 150mm OF CLEAN CRUSHED STONE. MAT MAY BE COVERED BY A MAXIMUM OF 150mm OF CLEAN CRUSHED STONE, ASPHALT OR CONCRETE.

NOTES:

1. COVER ENTIRE LENGTH OF GROUND WIRE WITH WOOD MOULDING.
2. ONLY INSTALL BRACE IF PROVIDED BY SWITCH MANUFACTURER.
3. PROVIDE GUY GUARD AT ANCHOR.

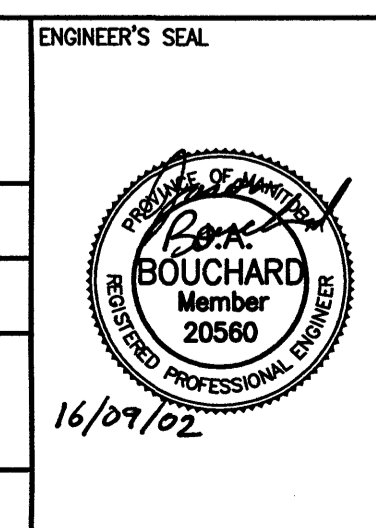
MATERIAL LIST

ITEM No.	DESCRIPTION
4	ARRESTER; LIGHTNING; MOV;
6	BRACE; CROSSARM; ANGLE; 1220mm (4'); CHANCE #6948
7	BRACE; CROSSARM; ANGLE; 460 x 1525; CHANCE #6942
9	BRACKET; CUT/ARR; CROSSARM MOUNT
13	BRACKET; TERMINATION; 3 PHASE; POLE MOUNT
14	BRACKET; TERMINATION; CABLE MOUNT
16	CLAMP; HOT LINE
17	CLAMP; STRAIN OR AUTOMATIC DEAD END
20	CONNECTOR; COMPRESSION
21	CONNECTOR; COMPRESSION ROD OR STUD
22	CONNECTOR; WEDGE TYPE
24	CROSSARM; 2450mm (8'); 4 PIN
25	CROSSARM; 3050; 6 PIN
27	DISCONNECTS OR DROPOUTS; LOAD BREAK
29	EXTENSION; DEAD END
30	GUY WIRE C/W GUY GRIPS
31	GROUNDING ASSEMBLY; SEE DRAWING E06 DETAIL A
32	GUARD; CABLE
33	GUY HOOK
34	GUY STRAIN INSULATOR
35	INSULATOR; 25KV; SWITCH HANDLE
36	EPOXY ROD GUY HOOK
37	INSULATOR; EPOXY ROD; GUY BREAKER; LENGTH AS REQUIRED
38	INSULATOR; PIN TYPE; 25KV
39	INSULATOR; POLYMER; SUSPENSION
40	LUG; SCREW
42	MOULDING; WOOD
43	NEUTRAL BRACKET ASSEMBLY
44	NUT; EYE
45	KIRK KEY INTERLOCK
46	PIN; CROSSARM; 25KV
49	POLE
53	PROTECTOR; CABLE
55	SECONDARY ASSEMBLY; 4KV CLEVIS
58	SIGN; "DANGER HIGH VOLTAGE"; 100mm x 225mm
62	STIRRUP; HOT LINE C/W HOT LINE CLAMP
64	SWITCH; INTERRUPTER; UPRIGHT; 25KV; 900A C/W GROUND CONNECTOR
66	TERMINATION
68	TIE ASSEMBLY; PRIMARY
73	TUBING; INSULATING
75	WIRE; 2/0 COPPER; BARE
76	WIRE; 4/10 COPPER; BARE



B.M. -	ELEV. -
00	ISSUED FOR CONSTRUCTION
NO.	REVISIONS
DATE	DESIGN CHECK

KGS GROUP CONSULTING ENGINEERS	
DESIGNED BY: J. A. BOUCHARD	CHECKED BY: <i>J.A.B.</i>
DRAWN BY: S. GUSE	APPROVED BY: J.A. BOUCHARD
SCALE: AS NOTED	ISSUED FOR CONSTRUCTION BY:
DATE: 2016/05/11	DATE:
CONSULTANT NO.: 15-0107-019_E19	



THE CITY OF WINNIPEG
WATER AND WASTE DEPARTMENT

WEST END SEWAGE TREATMENT PLANT
EFFLUENT MONITORING STATION
INSTALLATION DETAILS
ELECTRICAL POLES AND CABLE TRENCHES

CITY DRAWING NUMBER	SHEET	REV.	SIZE
1-0103-EDTL-Y001	00	A1	