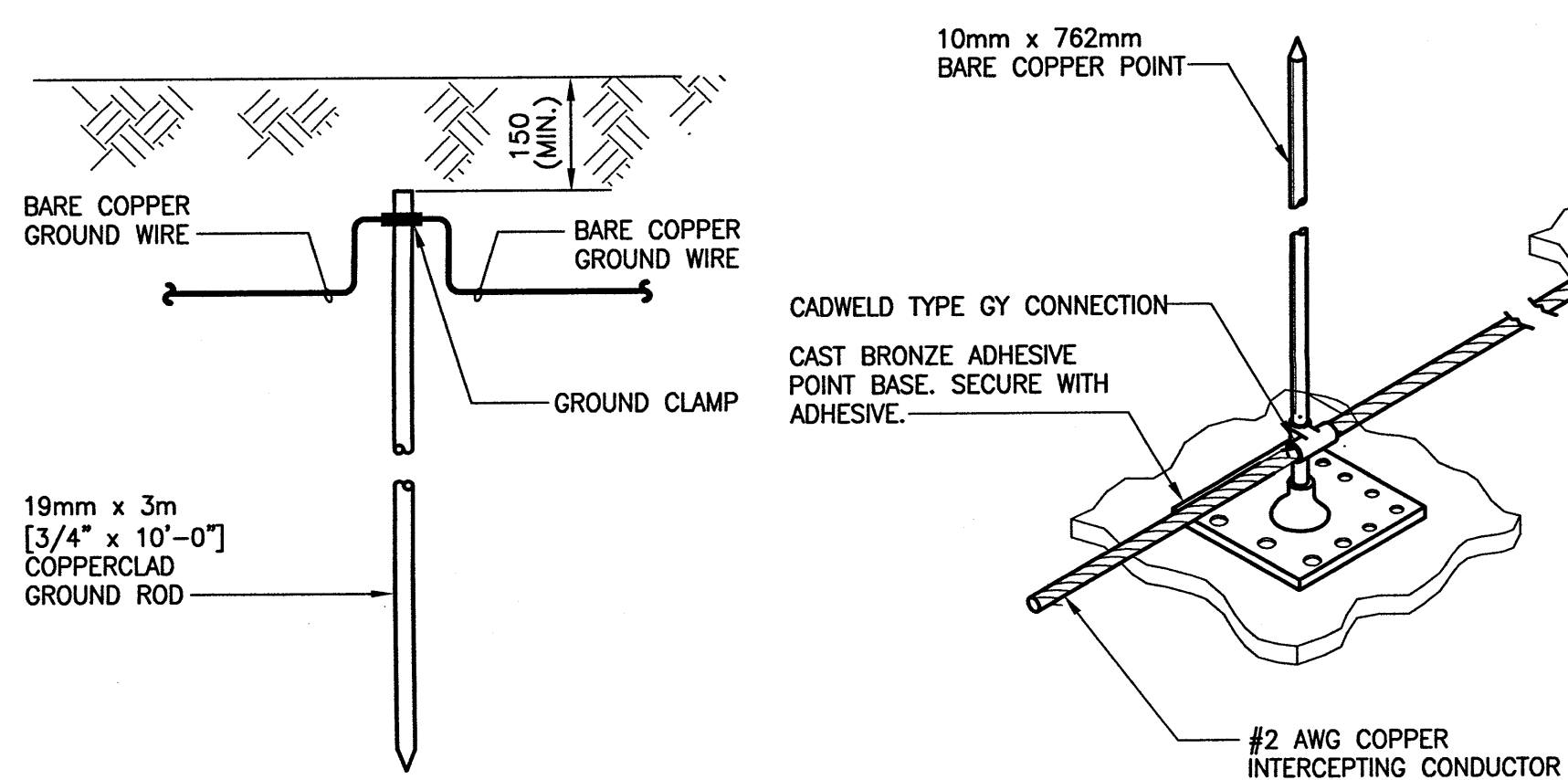
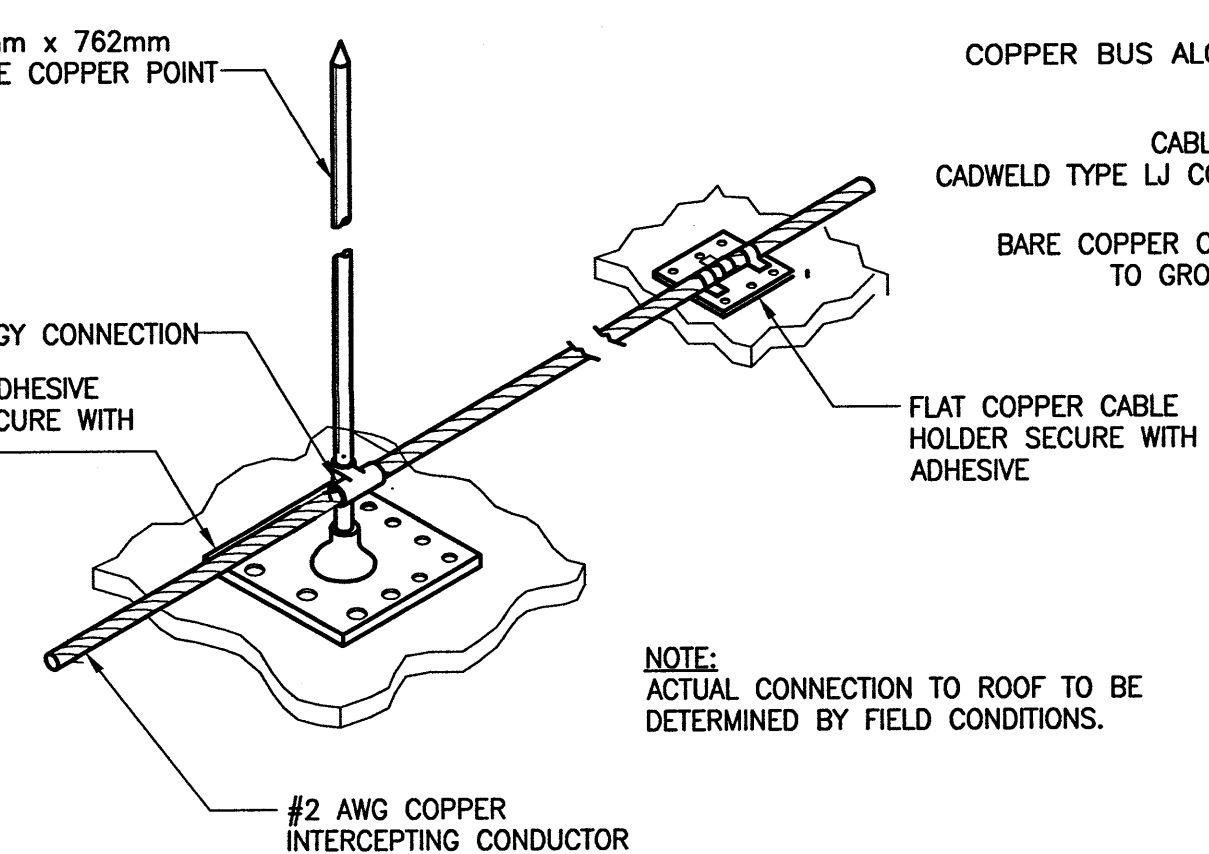


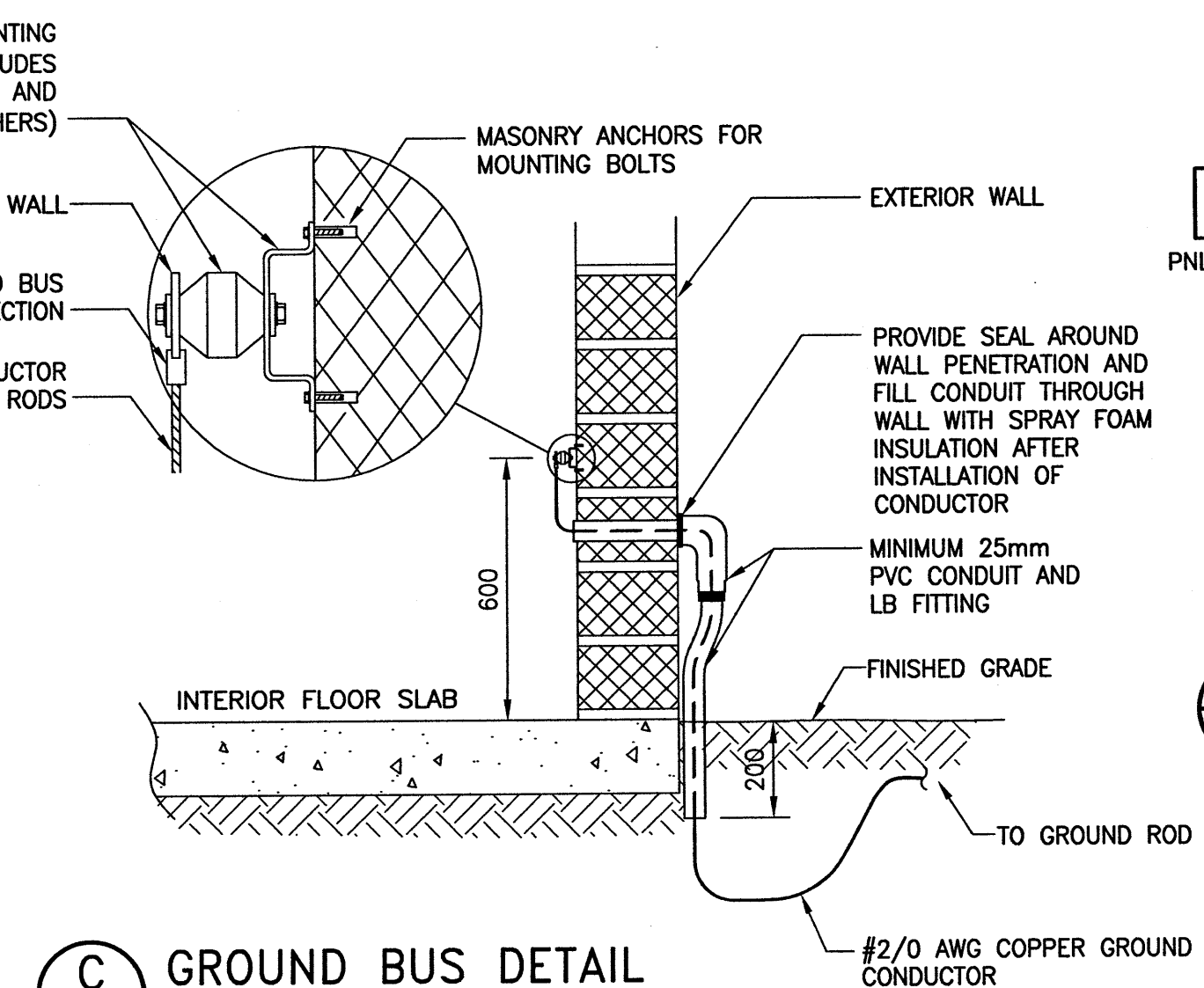
MAIN FLOOR PLAN
SCALE: 1:30mm (A1)



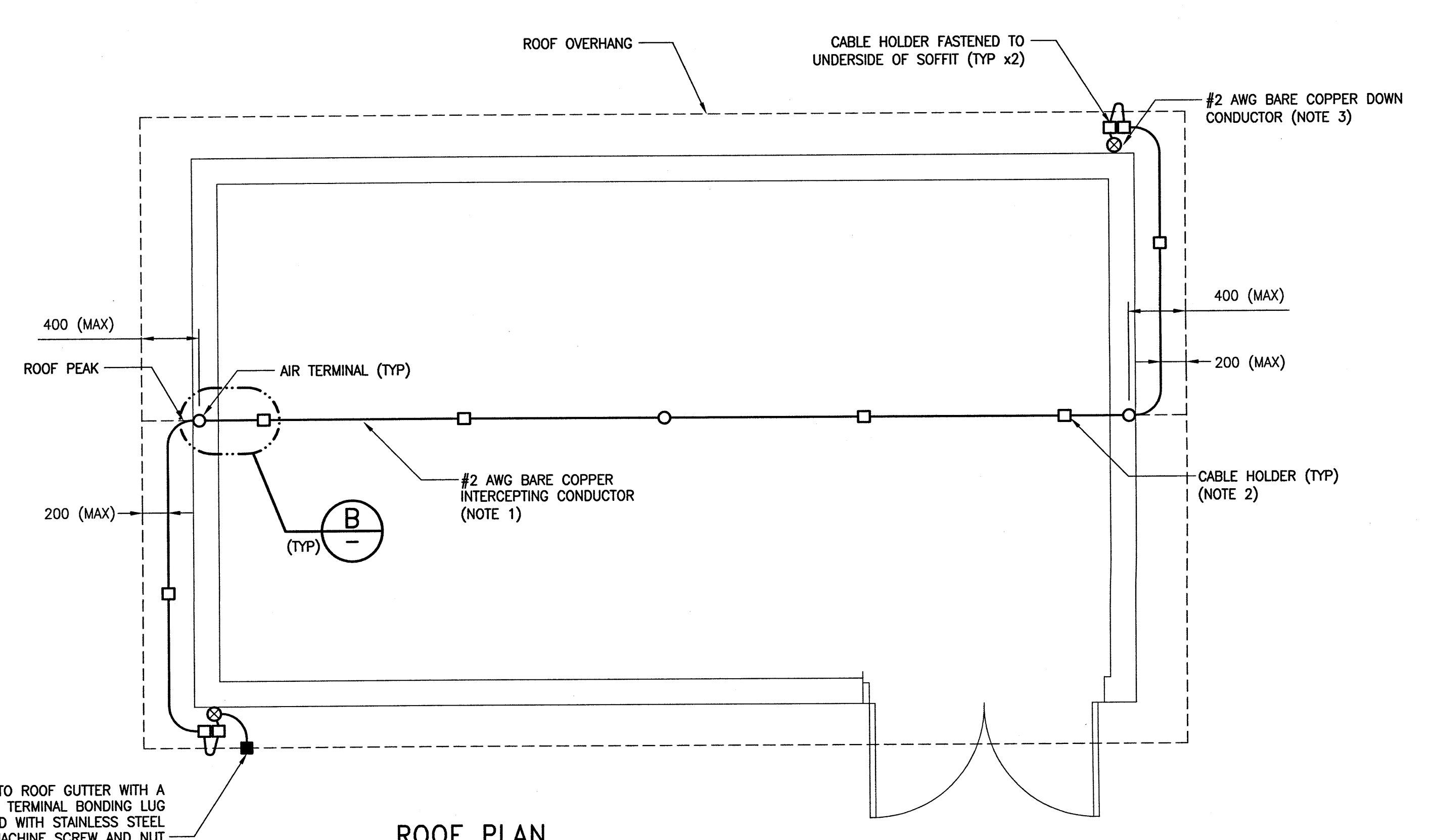
A GROUND ELECTRODE DETAIL
SCALE: N.T.S.



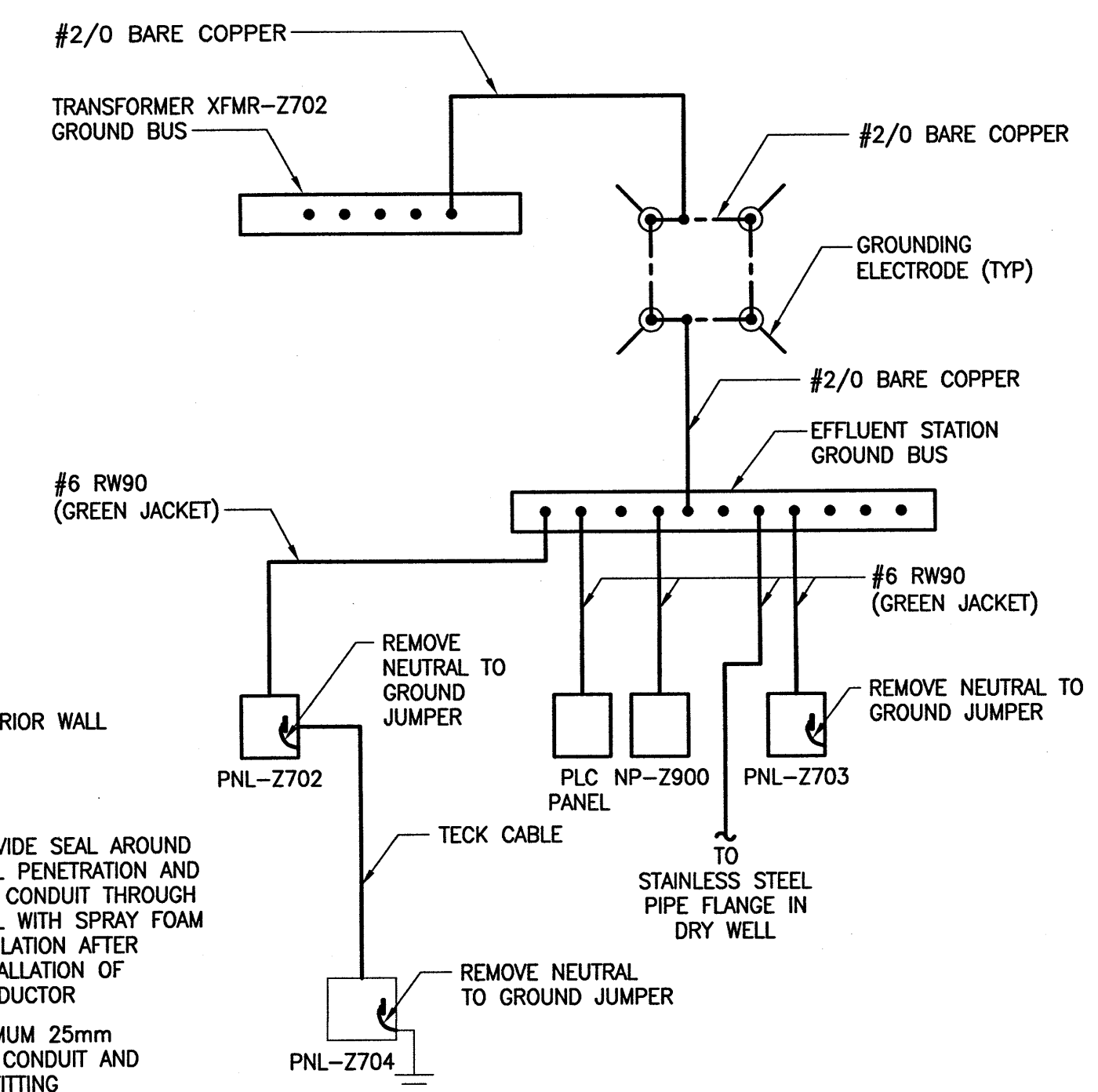
B CABLE HOLDER DETAIL
SCALE: N.T.S.



C GROUND BUS DETAIL
SCALE: N.T.S.



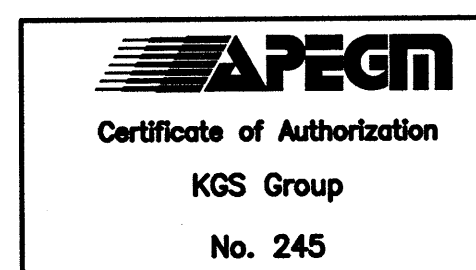
ROOF PLAN
SCALE: 1:30mm (A1)



D GROUNDING SINGLE LINE DIAGRAM
SCALE: N.T.S.

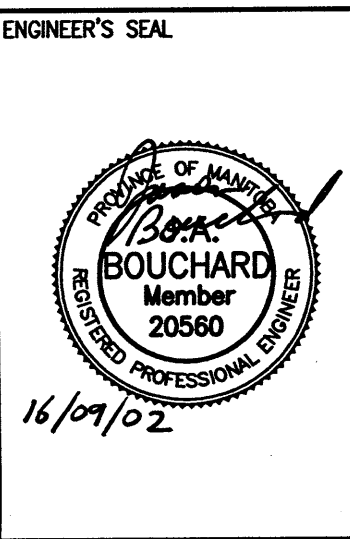
- NOTES:**
- INTERCEPTING CONDUCTOR TO BE INSTALLED ON THE HIGHEST POINT OF THE RIDGE CAP. ALL CONDUCTOR BENDS SHALL FORM AN INCLUDED ANGLE OF 90 DEGREES OR GREATER, AND BEND RADIUS SHALL BE 200mm OR GREATER.
 - ALL INTERCEPTING CONDUCTORS SHALL BE FASTENED TO ROOF WITH CABLE HOLDERS SPACED MAXIMUM 1.5 METRES APART.
 - FASTEN DOWN CONDUCTOR TO WALL EXTERIOR WITH LOOP TYPE CABLE FASTENERS SPACED MAXIMUM 1.5 METRES APART.
 - GRADIENT CONTROL MAT MUST BE PLACED ON A MINIMUM 150mm OF CLEAN CRUSHED STONE AND MAY BE COVERED BY A MAXIMUM OF 150mm OF CLEAN CRUSHED STONE. SIZE OF MAT SHALL BE 2.4x1.8 METERS.
 - PAD AND FOUNDATION DESIGN FOR PADMOUNTED SWITCHGEAR BY STRUCTURAL COMPOSITE TECHNOLOGIES LTD. INSTALL ACCORDING TO MANUFACTURERS INSTRUCTIONS.
 - ALL GROUND RODS TO BE SPACED MINIMUM 3 METERS APART.
 - ALL UNDERGROUND BARE CONDUCTORS SHALL BE #2/0 AWG COPPER UNLESS INDICATED OTHERWISE.

- LEGEND:**
- PIGTAIL FOR EQUIPMENT/BUILDING GROUNDING
 - GROUNDING BUSBAR
 - BURIED GROUND CONDUCTOR
 - EXPOSED GROUND CONDUCTOR
 - GROUND ELECTRODE
 - COMPRESSION GROUND CONNECTION
 - EXOTHERMIC GROUND CONNECTION
 - LIGHTNING DOWN CONDUCTOR
 - CABLE HOLDER
 - AIR TERMINAL



B.M. -			
ELEV. -			
00	ISSUED FOR CONSTRUCTION	2016/09/02	DDW/ABZ
NO.	REVISIONS	DATE	DESIGN CHECK

KGS GROUP CONSULTING ENGINEERS	
DESIGNED BY: E. IFIONU	CHECKED BY: J.A. BOUCHARD
DRAWN BY: S. GUSE	APPROVED BY: J.A. BOUCHARD
SCALE: AS NOTED	ISSUED FOR CONSTRUCTION
DATE: 2016/03/30	BY: DATE:
CONSULTANT NO.: 15-0107-019_E06	



THE CITY OF WINNIPEG
WATER AND WASTE DEPARTMENT

WEST END SEWAGE TREATMENT PLANT
EFFLUENT MONITORING STATION
GENERAL ARRANGEMENT
GROUNDING PLAN

CITY DRAWING NUMBER: 1-0103-EGRD-Z001

SHEET: 00

REV. SIZE: 00 A1