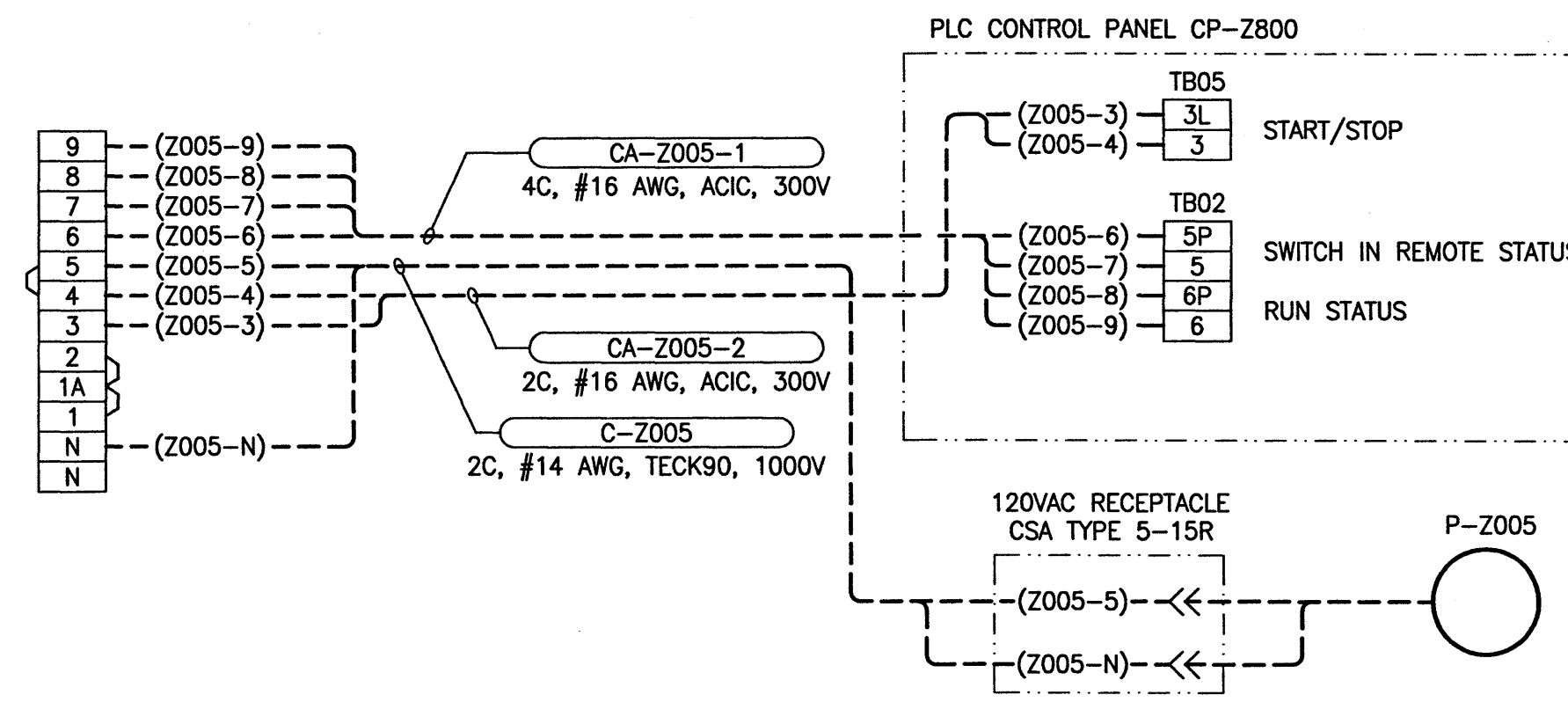


1 MS-Z005 SCHEMATIC DIAGRAM
SCALE: N.T.S.



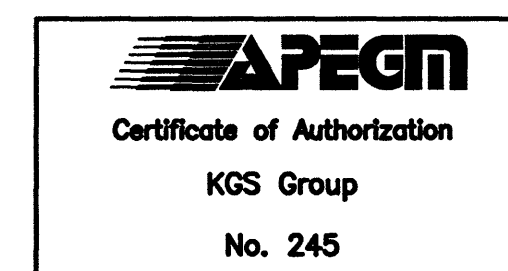
2 WIRING DIAGRAM
SCALE: N.T.S.

NOTES:

1. REFER TO CABLE SCHEDULE FOR ALL CABLE ROUTING AND CONDUCTOR DETAILS
2. 'HS' DENOTES HAND SWITCH. THE DRAWING INDICATES SWITCH IN HAND POSITION.

LEGEND

- STARTER TERMINALS
- PLC TERMINALS
- FUSE
- FIELD WIRING
- MANUFACTURER WIRING
- (M) CONTACTOR COIL
- (R) RED PILOT
- ⌋|⌋ NORMALLY OPEN
- ⌋|/⌋ NORMALLY CLOSED
- << PLUG AND RECEPTACLE CONNECTION



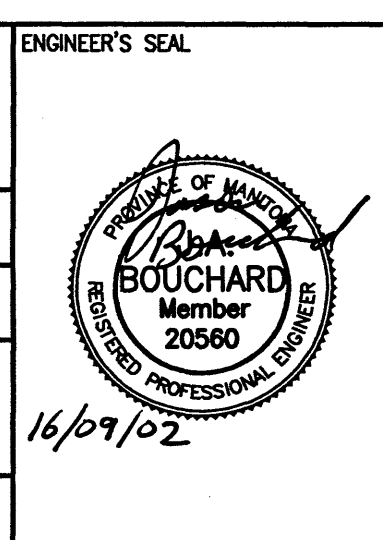
B.M.	-
ELEV.	-
NO.	REVISIONS
00	ISSUED FOR CONSTRUCTION
2016/09/02	DATE
JUN	DESIGN CHECK

KGS GROUP
CONSULTING ENGINEERS

DESIGNED BY: C. S. ROBINSON
DRAWN BY: J. P. DELEON
SCALE: AS NOTED
DATE: 2016/06/14

CHECKED BY: J.A. BOUCHARD
APPROVED BY: J.A. BOUCHARD
ISSUED FOR CONSTRUCTION BY: J.A. BOUCHARD
DATE: 16/09/02

CONSULTANT NO.: 15-0107-019_E31



THE CITY OF WINNIPEG
WATER AND WASTE DEPARTMENT

WEST END SEWAGE TREATMENT PLANT
EFFLUENT MONITORING STATION
MOTOR CONTROL
MS-Z005 MOTOR SCHEMATIC AND
WIRING DIAGRAM

CITY DRAWING NUMBER: 1-0103-EMCL-Z002
SHEET: 00
REV: 00
SIZE: A1