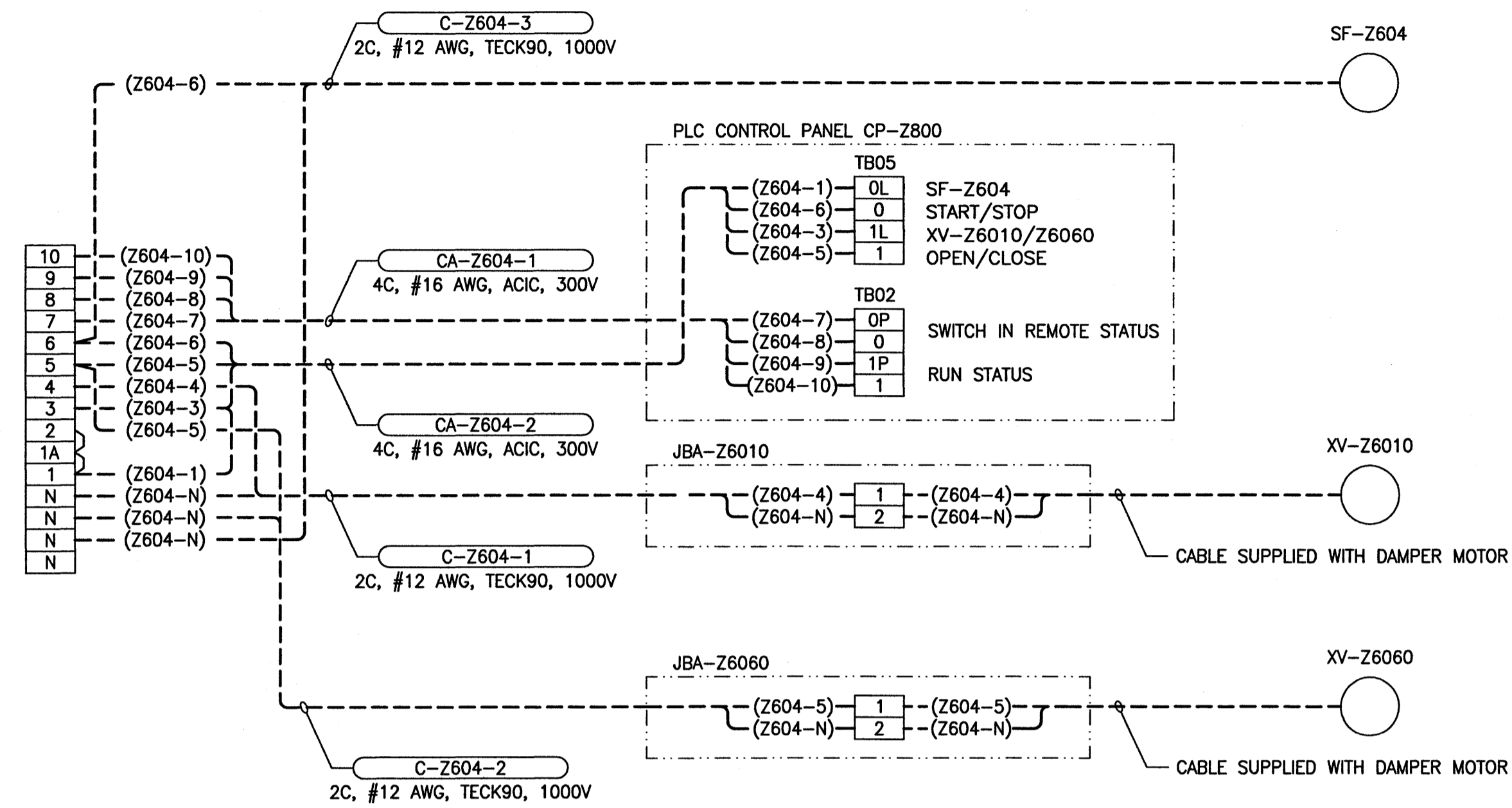


1 MS-Z604 SCHEMATIC DIAGRAM
SCALE: N.T.S.



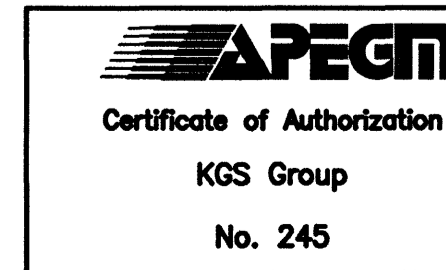
2 WIRING DIAGRAM
SCALE: N.T.S.

NOTES:

1. REFER TO CABLE SCHEDULE FOR ALL CABLE ROUTING AND CONDUCTOR DETAILS
2. 'HS' DENOTES HAND SWITCH. THE DRAWING INDICATES SWITCH IN HAND POSITION.
3. REFER TO DRAWING 1-0103-AILD-Z601 FOR CONTROL WIRING OF RELAY CR1.
4. REFER TO DRAWING 1-0103-AILD-Z602 FOR CONTROL WIRING OF RELAY CR2 AND PLC INPUTS.

LEGEND

- STARTER TERMINALS
- ▣ PLC TERMINALS
- JBA-Z6010 TERMINAL
- ▤ JBA-Z6060 TERMINAL
- FUSE
- - - FIELD WIRING
- MANUFACTURER WIRING
- (M) CONTACTOR COIL
- (R) RED PILOT
- |/|◯ NORMALLY OPEN
- |/|◻ NORMALLY CLOSED



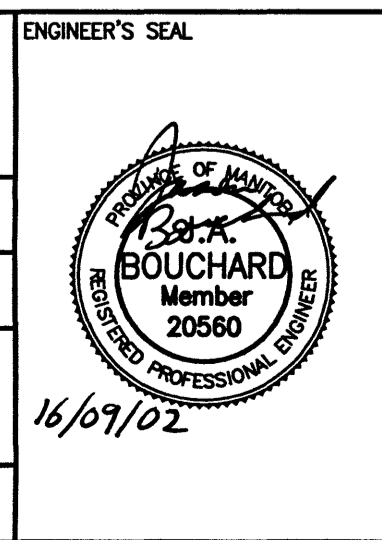
B.M.	-
ELEV.	-
NO.	REVISIONS
00	ISSUED FOR CONSTRUCTION
2016/09/02	DATE
DESIGN	CHECK

KGS GROUP
CONSULTING ENGINEERS

DESIGNED BY: C. S. ROBINSON
DRAWN BY: J. P. DELEON
SCALE: AS NOTED
DATE: 2016/06/14

CHECKED BY: J.A. BOUCHARD
APPROVED BY: J.A. BOUCHARD
ISSUED FOR CONSTRUCTION BY: J.A. BOUCHARD
DATE: 16/09/02

CONSULTANT NO.: 15-0107-019_E32



THE CITY OF WINNIPEG
WATER AND WASTE DEPARTMENT

WEST END SEWAGE TREATMENT PLANT
EFFLUENT MONITORING STATION
MOTOR CONTROL
MS-Z604 MOTOR SCHEMATIC AND WIRING DIAGRAM

CITY DRAWING NUMBER: 1-0103-EMCL-Z601
SHEET: 00
REV: A1
SIZE: A1