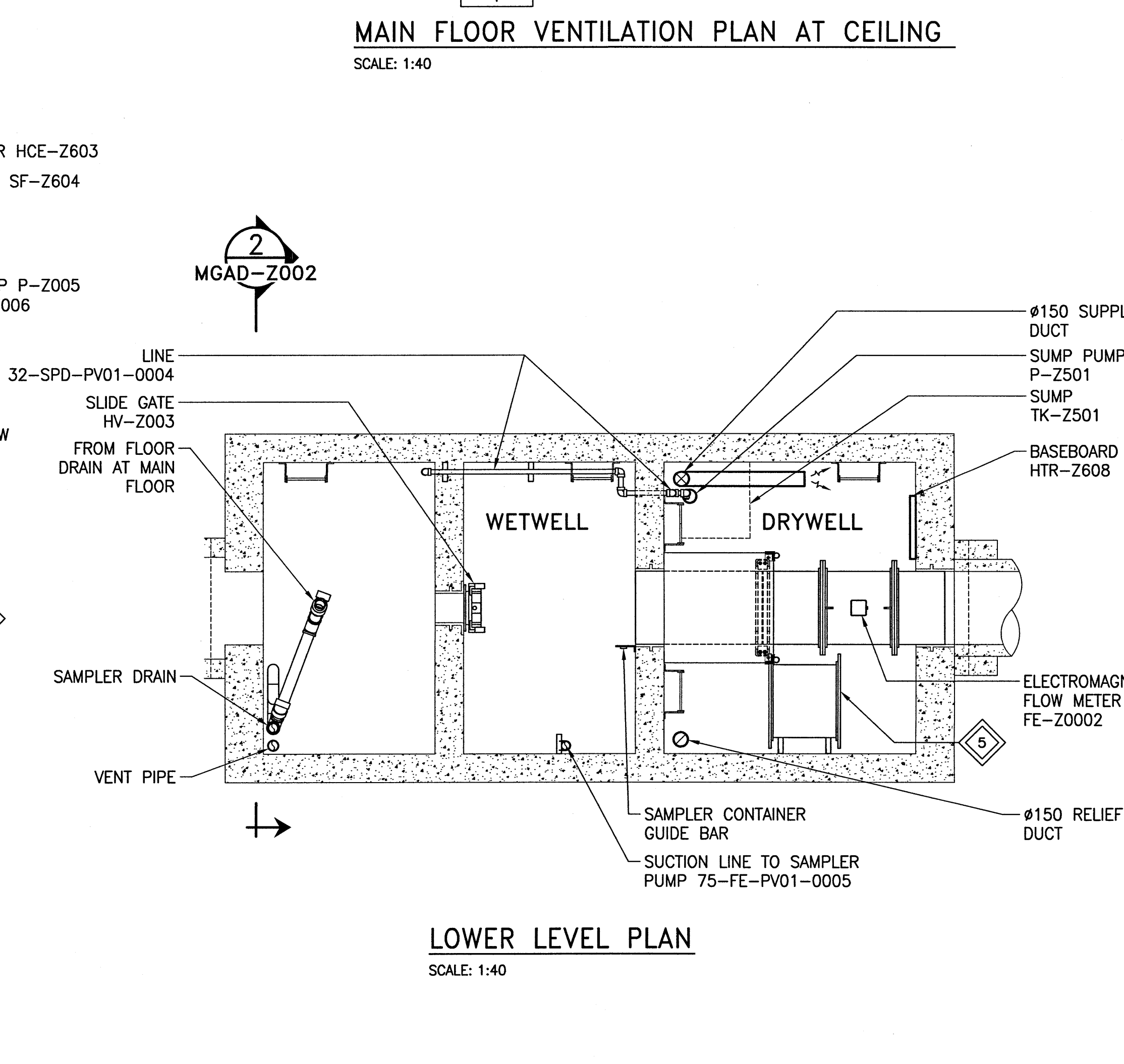
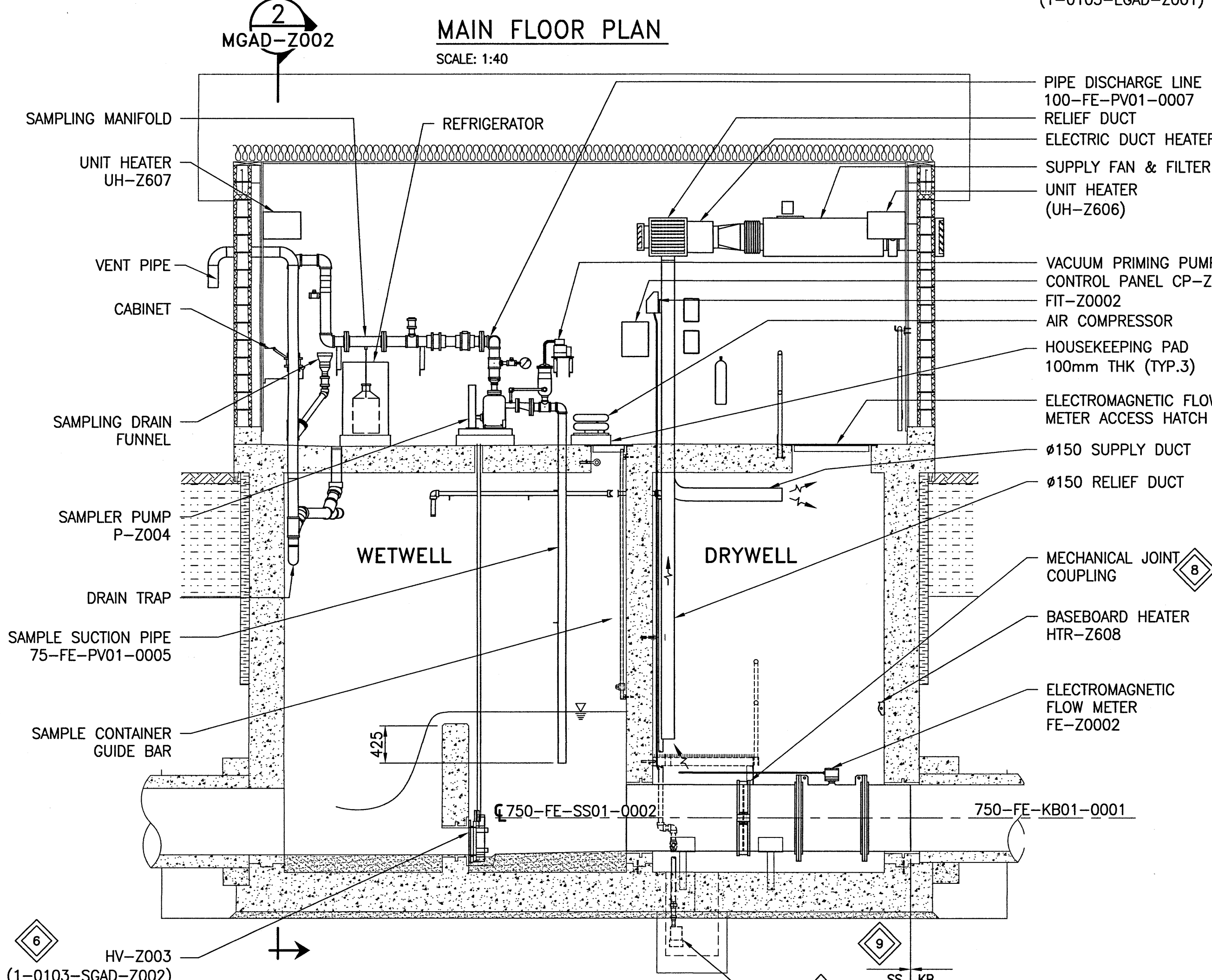
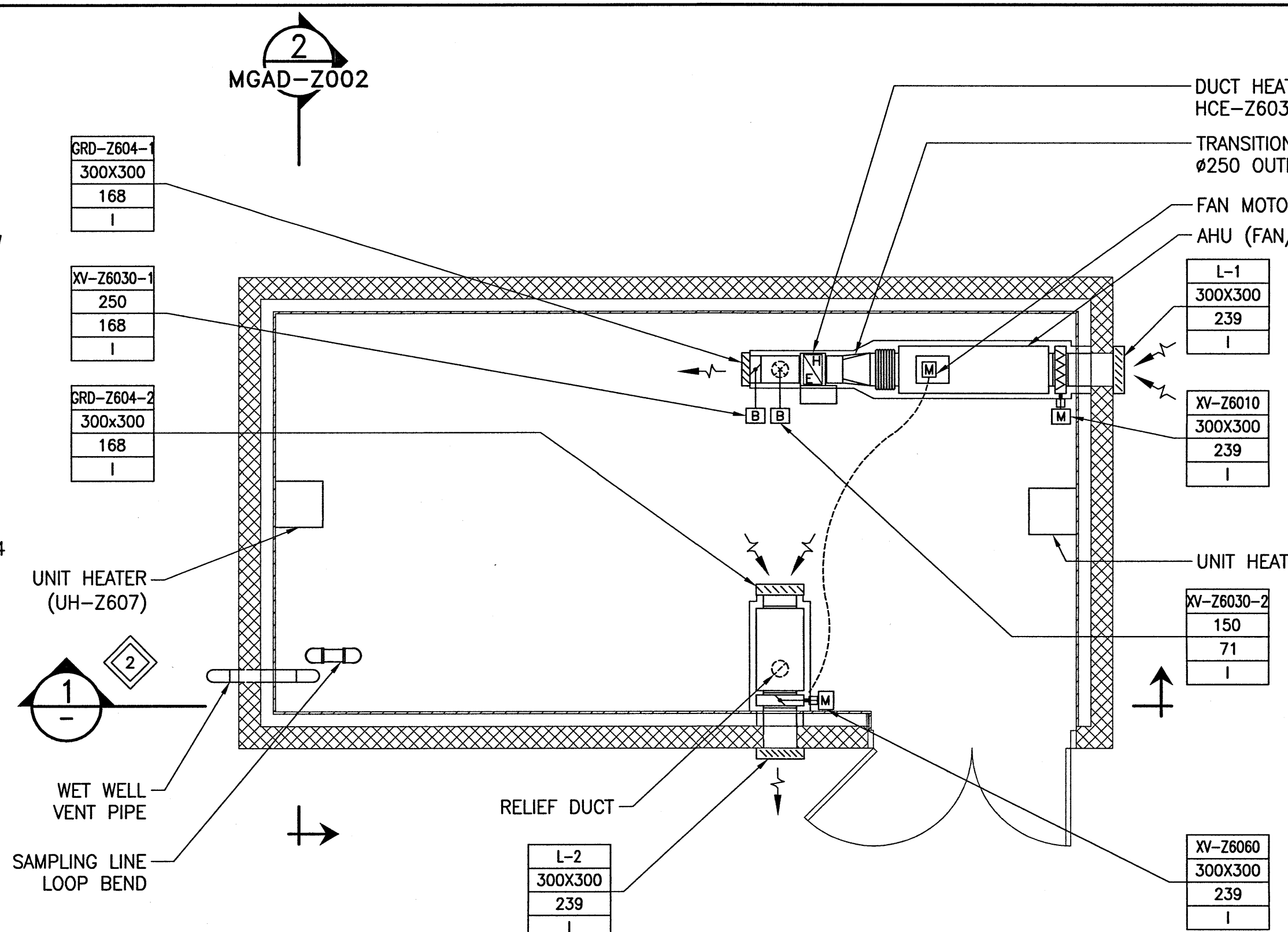
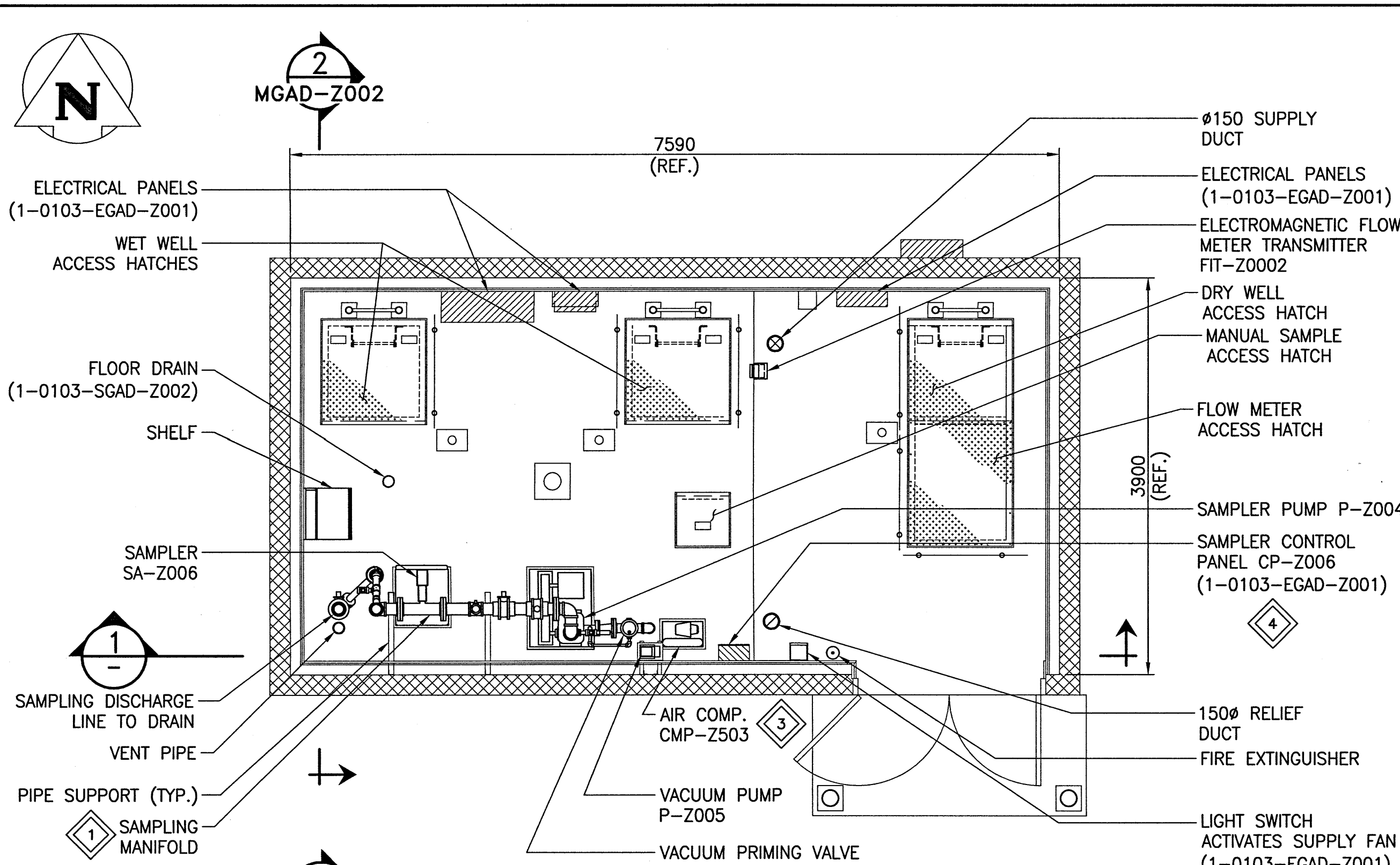


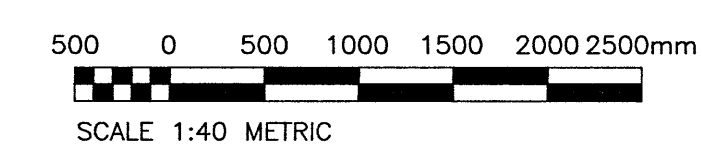
File Name: P:\Projects\2015\15-0107-019-M01.dwg - Tab: Rev. 00 Plotted By: dderoché 09/01/2016 [Thu 3:15pm]



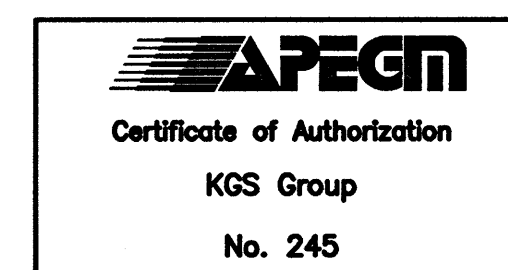
- GENERAL NOTES:**
1. PROVIDE PVC SCH.40 PIPE AND FITTINGS.
 2. ALL SAMPLER PIPING TO BE PVC SOLVENT WELDED.
 3. ALL DUCTWORK TO BE GALVANIZED WITH INSULATION AND JACKETING.

- KEY NOTES:**
- 1 100MM X 430MM LONG FLANGED STAINLESS STEEL SAMPLING SPOOL FITTING.
 - 2 75MM PVC VENT PIPE UP FROM WET WELL TO BUILDING EXTERIOR. TERMINATE OUTSIDE BUILDING AT A HIGH LEVEL. TURN DOWN AND COVER WITH S/S INSECT SCREEN.
 - 3 CONNECT AIR COMPRESSOR TO SAMPLER CONTROL PANEL (1 LINE).
 - 4 CONNECT SAMPLER CONTROL PANEL TO ISOLOK SAMPLER (2 LINES).
 - 5 ELECTROMAGNETIC FLOW METER REPLACEMENT SPOOL PIECE. MOUNT 2.5M ABOVE DRY WELL FLOOR.
 - 6 300 X 300 S/S SLIDE GATE.
 - 7 SUMP PUMP P-2501.
 - 8 VICTAULIC AGS RIGID COUPLING STYLE W07 Ø750mm WITH 9.6mm ALLOWABLE PIPE END SEPARATION.
 - 9 750MM SCH10S STAINLESS STEEL PIPE WITH CLASS 150 FLANGES.

- LEGEND:**
- L-2 IDENTIFICATION
 - 300x300 SIZE (mm x mm)
 - 239 AIR FLOW RATE (L/s)
 - I INTERMITTENT, C=CONTINUOUS
 - H HEATING COIL (AIR DUCT HEATER)
 - M MODULATING DAMPER
 - B BALANCE DAMPER
 - Flexible Connector
 - Supply
 - Relief
 - Louvre



METRIC
WHOLE NUMBERS INDICATE MILLIMETRES
DECIMALIZED NUMBERS INDICATE METRES



B.M. ELEV. -	
DESIGNED BY: B. A. SHALLEY	CHECKED BY: J. SMITH
DRAWN BY: C. R. ABELLANOSA	APPROVED BY: J. SMITH
SCALE: 1:40	ISSUED FOR CONSTRUCTION
DATE: 2016/03/17	DATE:
CONSULTANT NO.: 15-0107-019_M01	
NO. REVISIONS	DATE DESIGN CHECK
00	ISSUED FOR CONSTRUCTION 2016/09/02 BAS

KGS GROUP
CONSULTING ENGINEERS

ENGINEER'S SEAL

THE CITY OF WINNIPEG
WATER AND WASTE DEPARTMENT

WEST END SEWAGE TREATMENT PLANT
EFFLUENT MONITORING STATION
GENERAL ARRANGEMENT DRAWING
MECHANICAL
EQUIPMENT AND PIPING PLAN

CITY DRAWING NUMBER	SHEET	REV.	SIZE
1-0103-MGAD-Z001	00	A1	