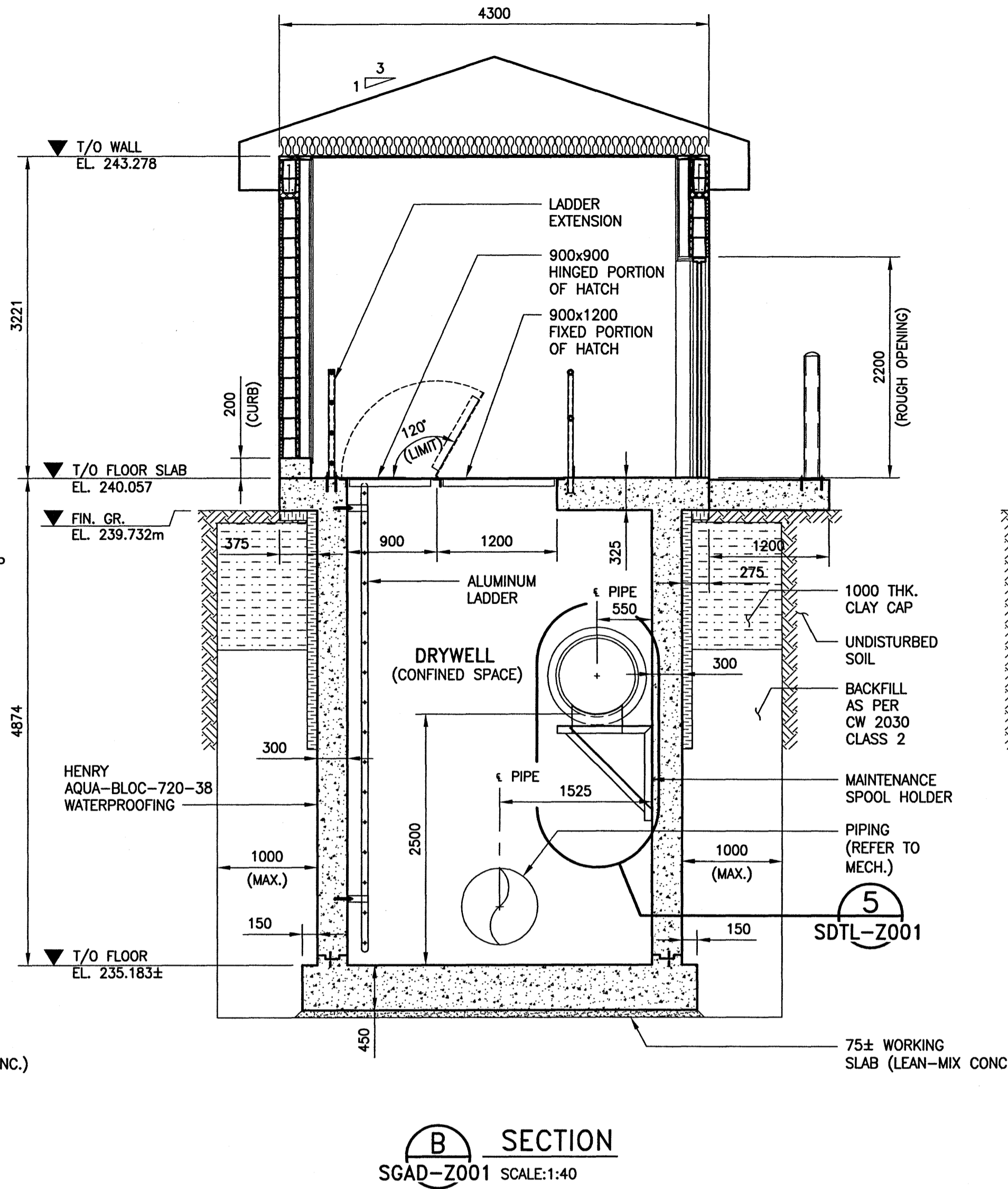
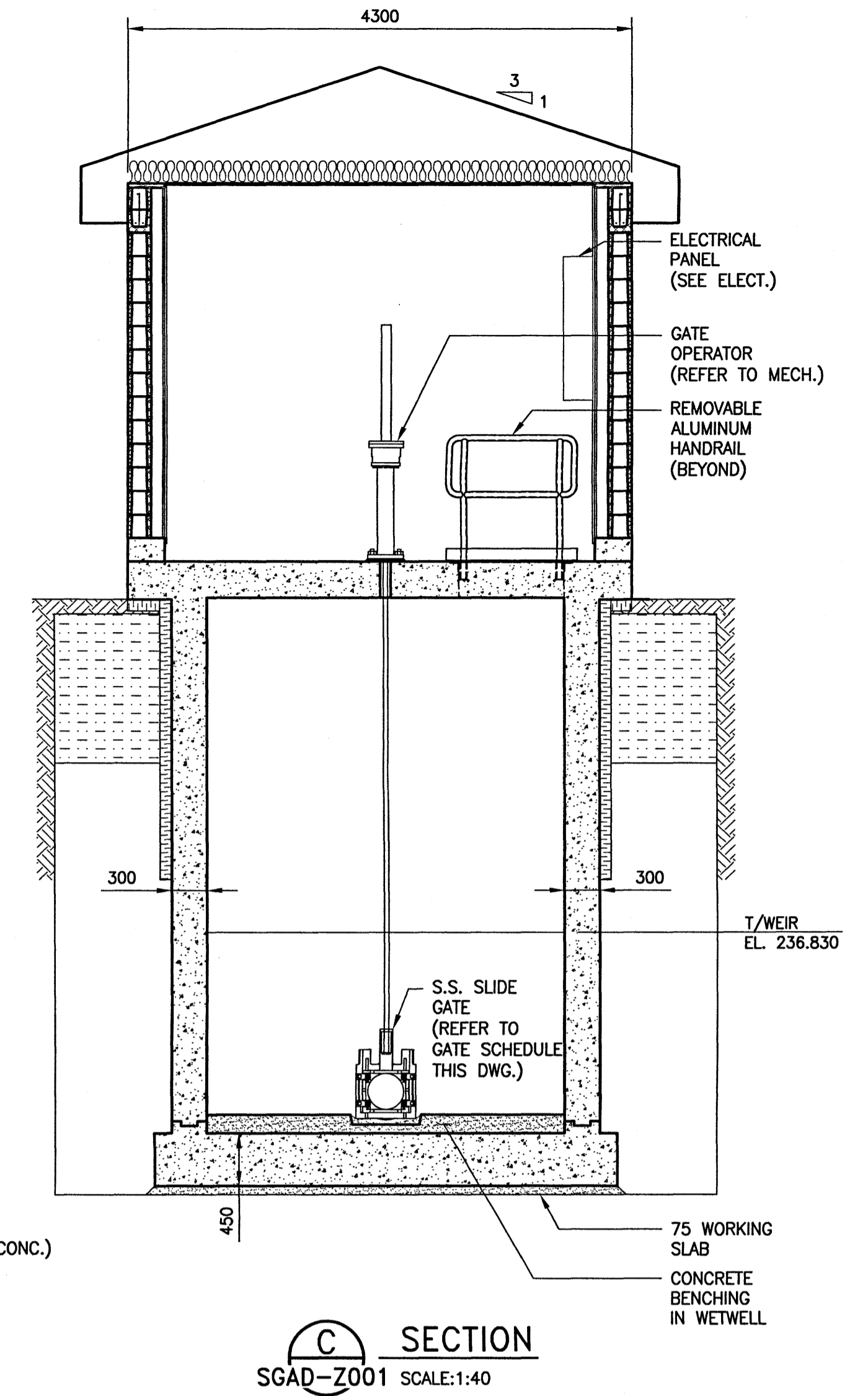


**A SECTION**  
SGAD-Z001 SCALE:1:40

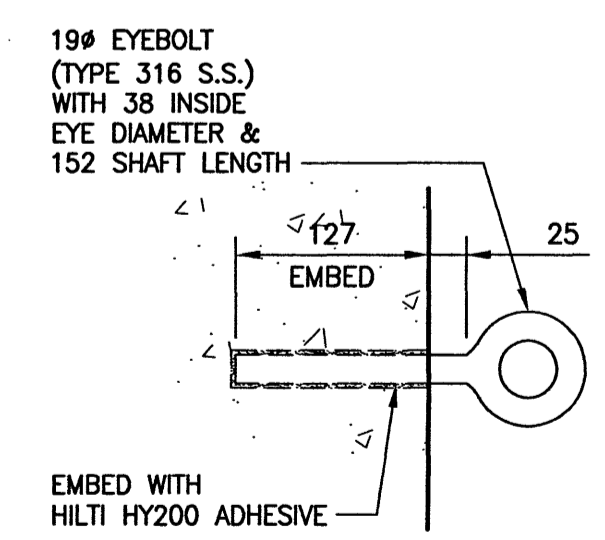


**B SECTION**  
SGAD-Z001 SCALE:1:40

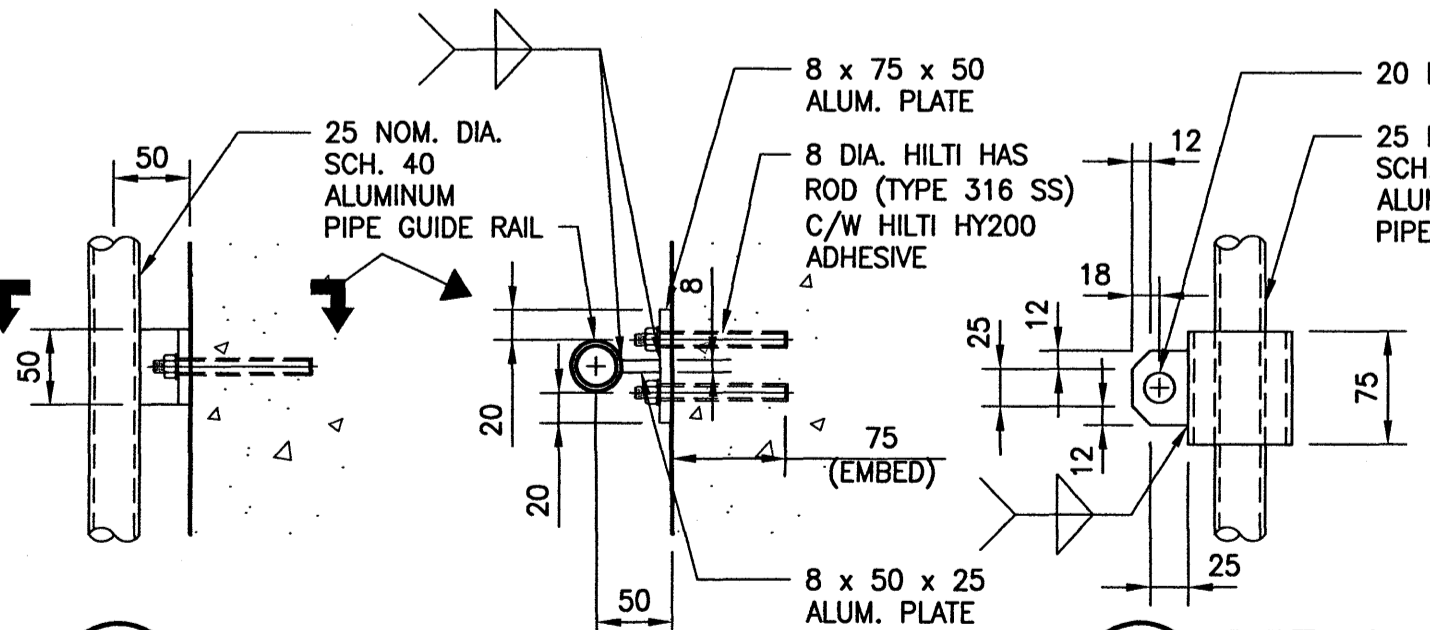


**C SECTION**  
SGAD-Z001 SCALE:1:40

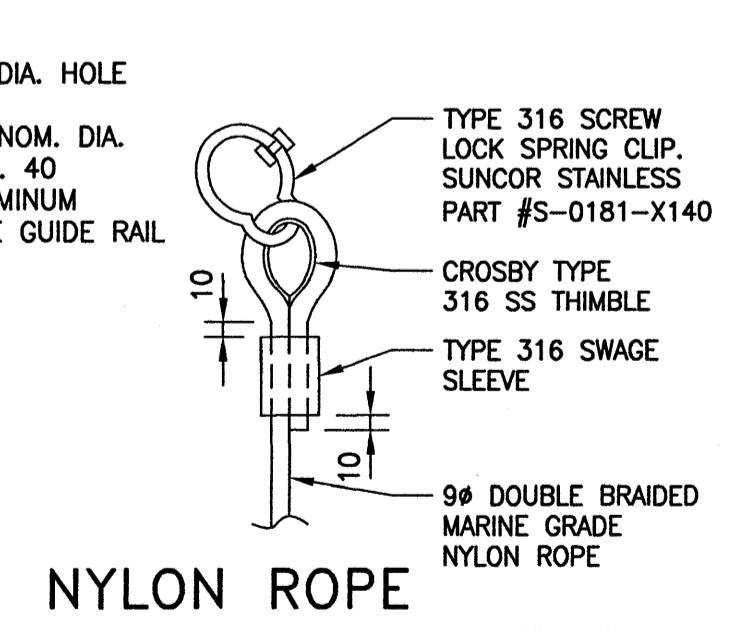
GATE SCHEDULE									
TAG NO.	DESCRIPTION	SIZE	CONSTRUCTION STANDARD	GATE FRAME MATERIAL	SEAL MATERIAL	OPER. FLOOR EL.	INVERT EL.	MAX. HEAD	MOUNTING
HV-Z003	FABRICATED STAINLESS STEEL SLIDE GATE C/W RISING STEM & SURFACE MOUNTED OPERATOR	305x305 (12"x12")	AWWA C561	316L STAINLESS STEEL	UHMW P.E.	240.057	235.330	2.0m	BOLTED TO EMBEDDED TYPE 316 S.S. WALL THIMBLE



**1 DETAIL - EYE BOLT**  
SCALE: 1:5

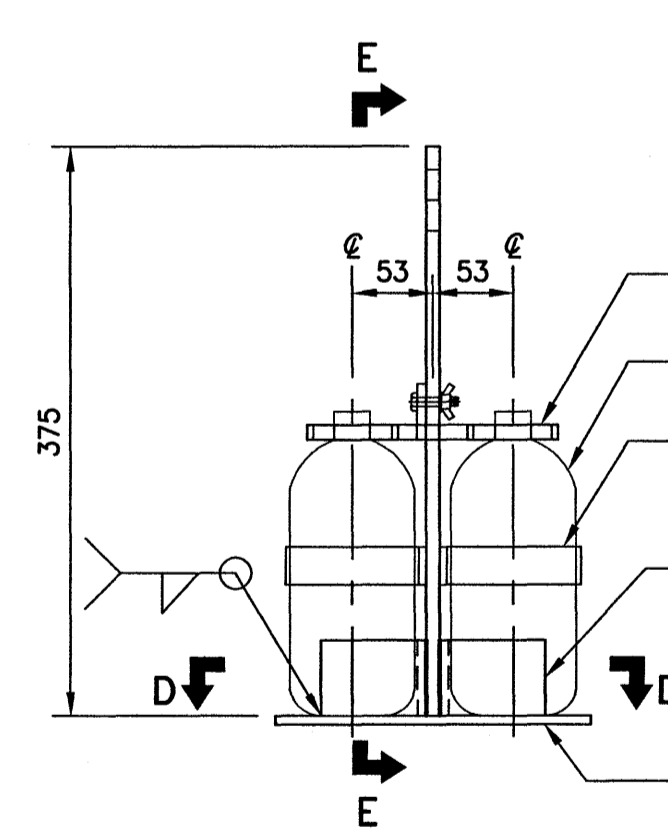


**2 DETAIL**  
SCALE: 1:5

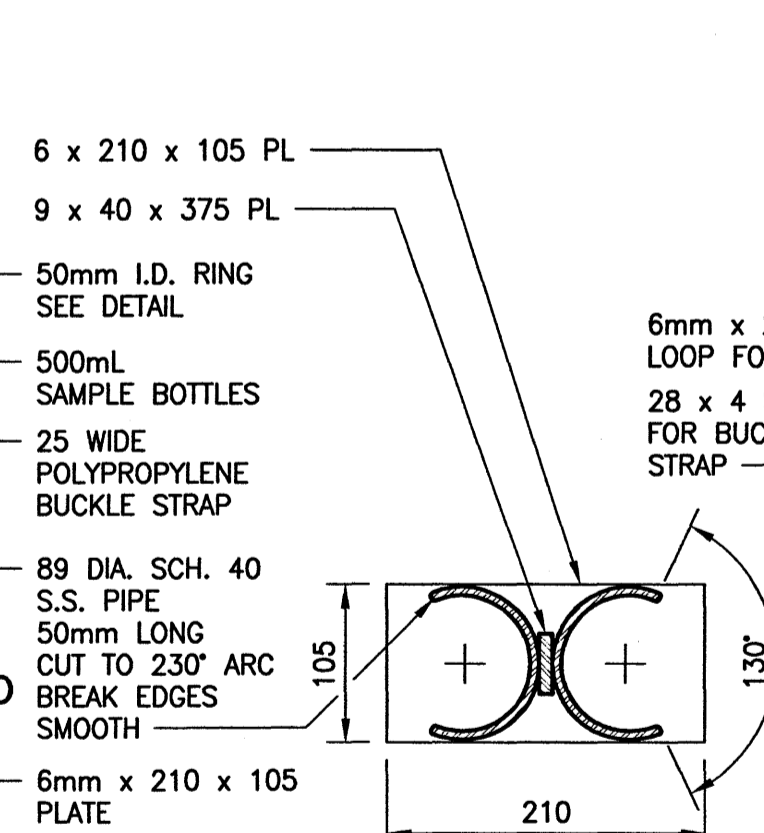


**3 DETAIL**  
SCALE: 1:5

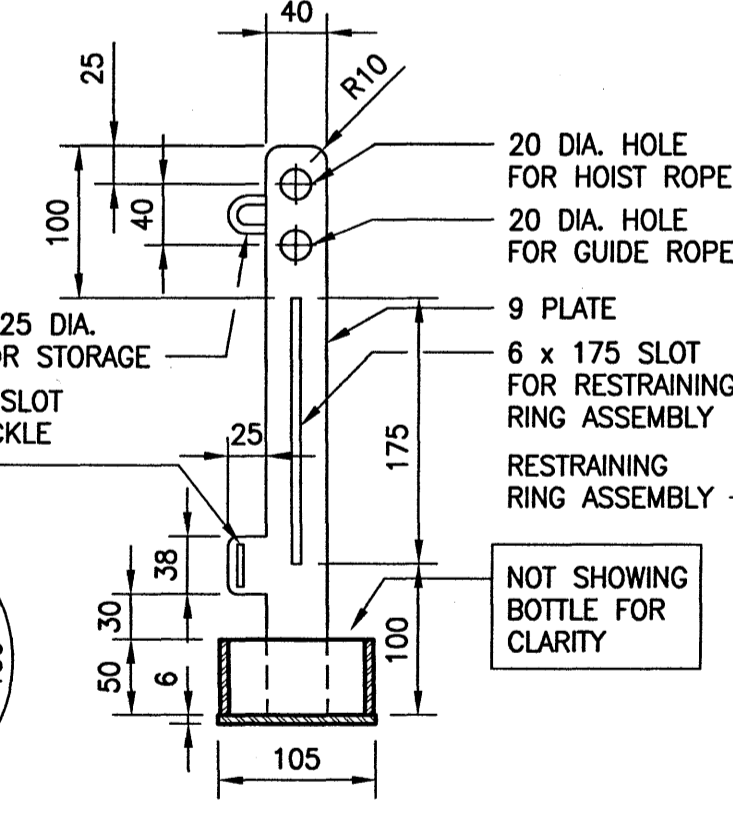
**NYLON ROPE TERMINATION DETAIL**  
SCALE: 1:5



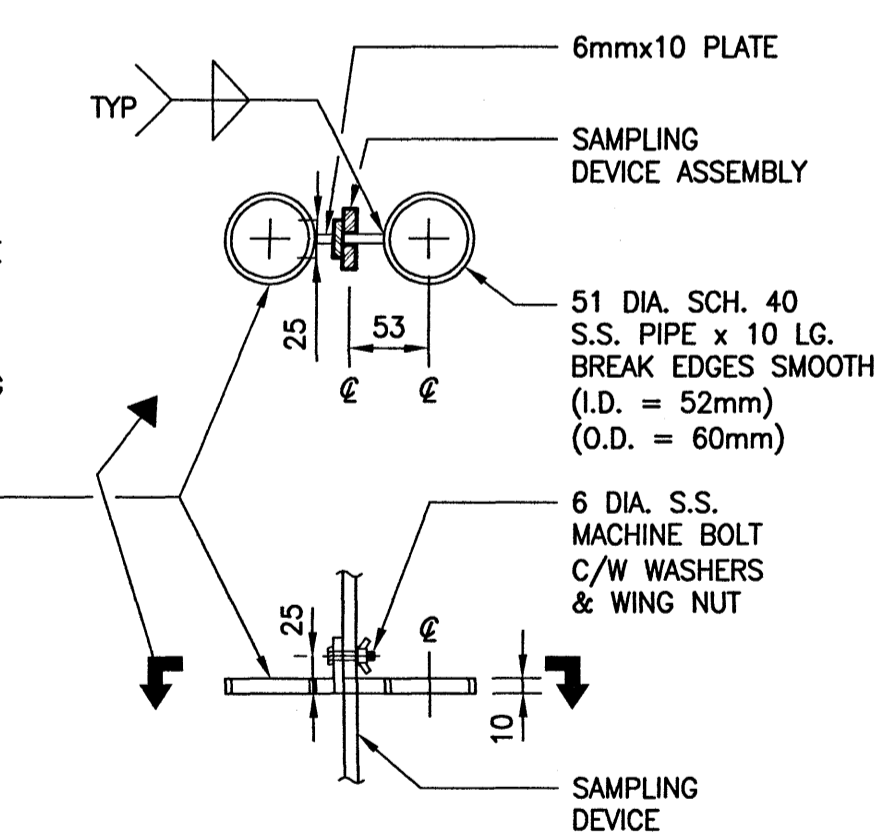
**ELEVATION VIEW**  
SCALE: 1:5



**SECTION D-D**  
SCALE: 1:5



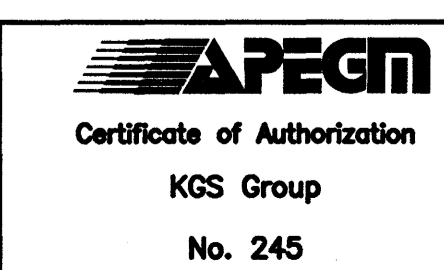
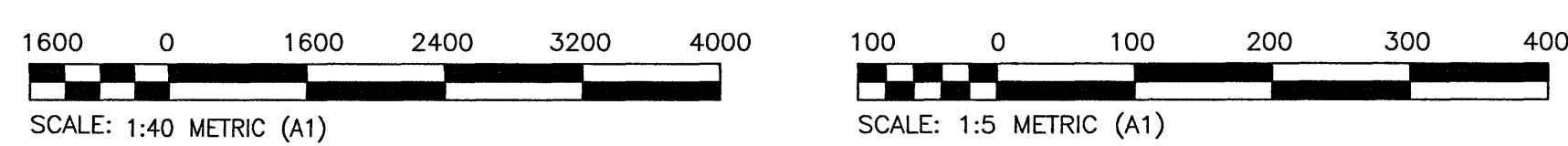
**SECTION E-E**  
SCALE: 1:5



**DETAIL - RESTRAINING RING**  
SCALE: 1:5

- NOTES:**
- ASSEMBLY TO BE FABRICATED WITH TYPE 304 STAINLESS STEEL.
  - ATTACHING ROPES TO BE 9 DIA. DOUBLE BRAIDED NYLON ROPE (MARINE GRADE) WITH SS THIMBLES AND 2 SS ROPE CLIPS AT EACH END.

**METRIC**  
WHOLE NUMBERS INDICATE MILLIMETRES  
DECIMALIZED NUMBERS INDICATE METRES



B.M.	—
ELEV.	—
DESIGNED BY:	K. R. DYCK
CHECKED BY:	CMS
DRAWN BY:	F. B. VALENCIA
APPROVED BY:	
SCALE:	AS NOTED
ISSUED FOR CONSTRUCTION	DATE:
DATE:	2016/03/17
CONSULTANT NO.:	15-0107-019_S03

**KGS GROUP**  
CONSULTING ENGINEERS

ENGINEER'S SEAL  
C.M. SIEPMAN  
Member 20815

**THE CITY OF WINNIPEG**  
WATER AND WASTE DEPARTMENT

WEST END SEWAGE TREATMENT PLANT  
EFFLUENT MONITORING STATION  
GENERAL ARRANGEMENT DRAWING  
STRUCTURAL SECTIONS

CITY DRAWING NUMBER: 1-0103-SGAD-Z002  
SHEET: 00  
REV: A1  
SIZE: A1