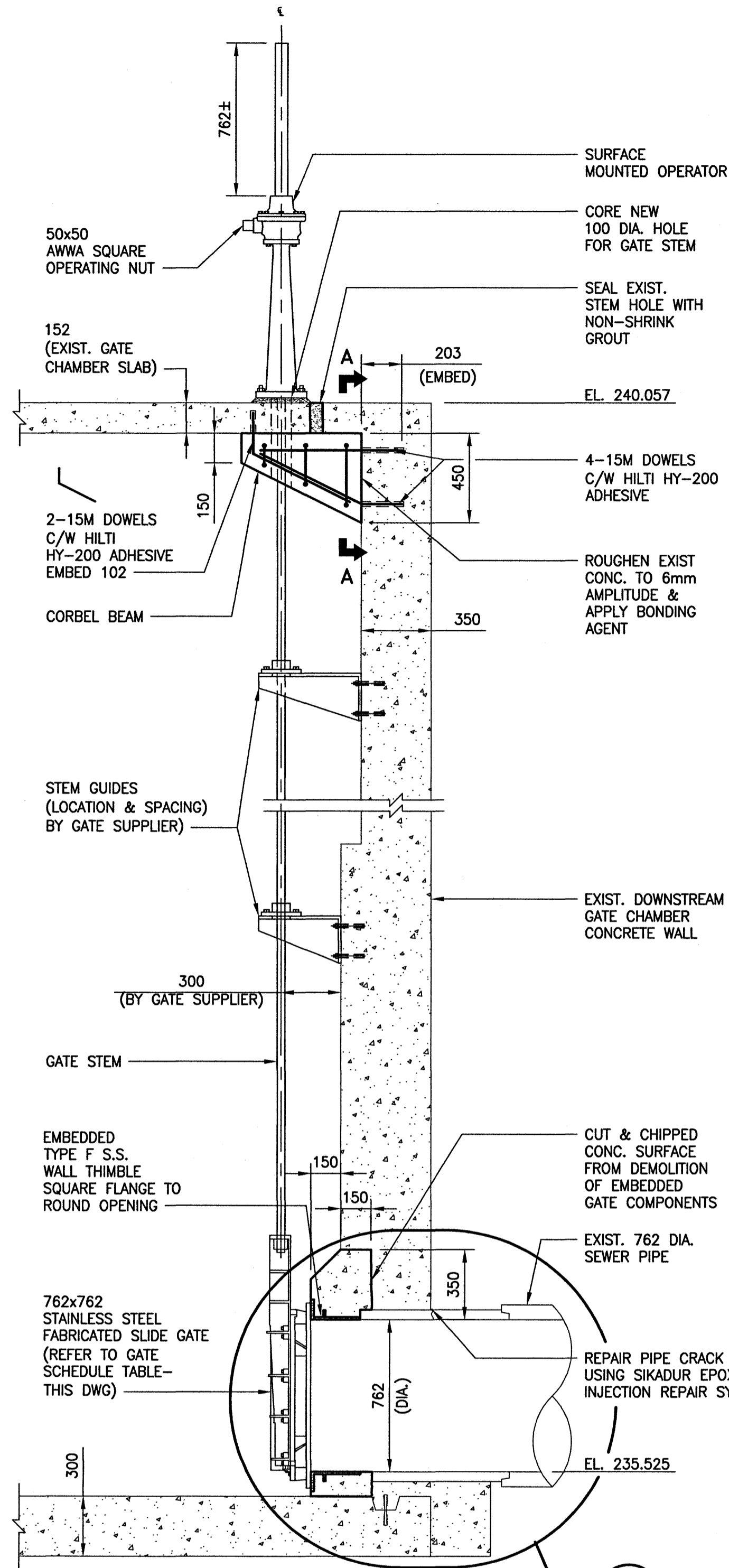
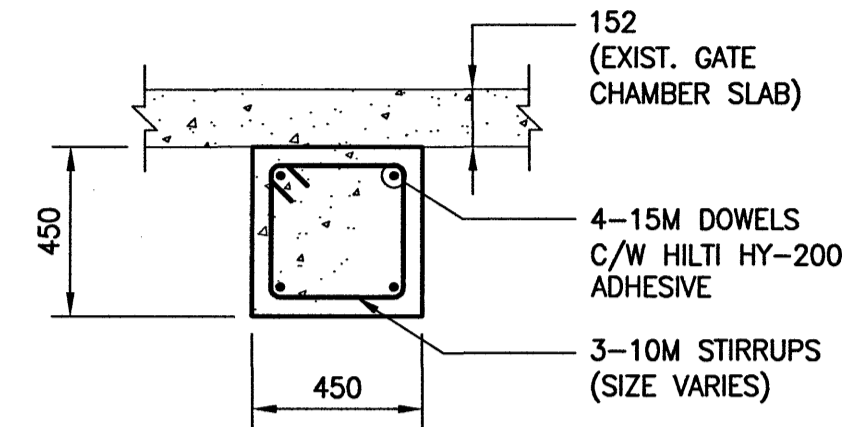


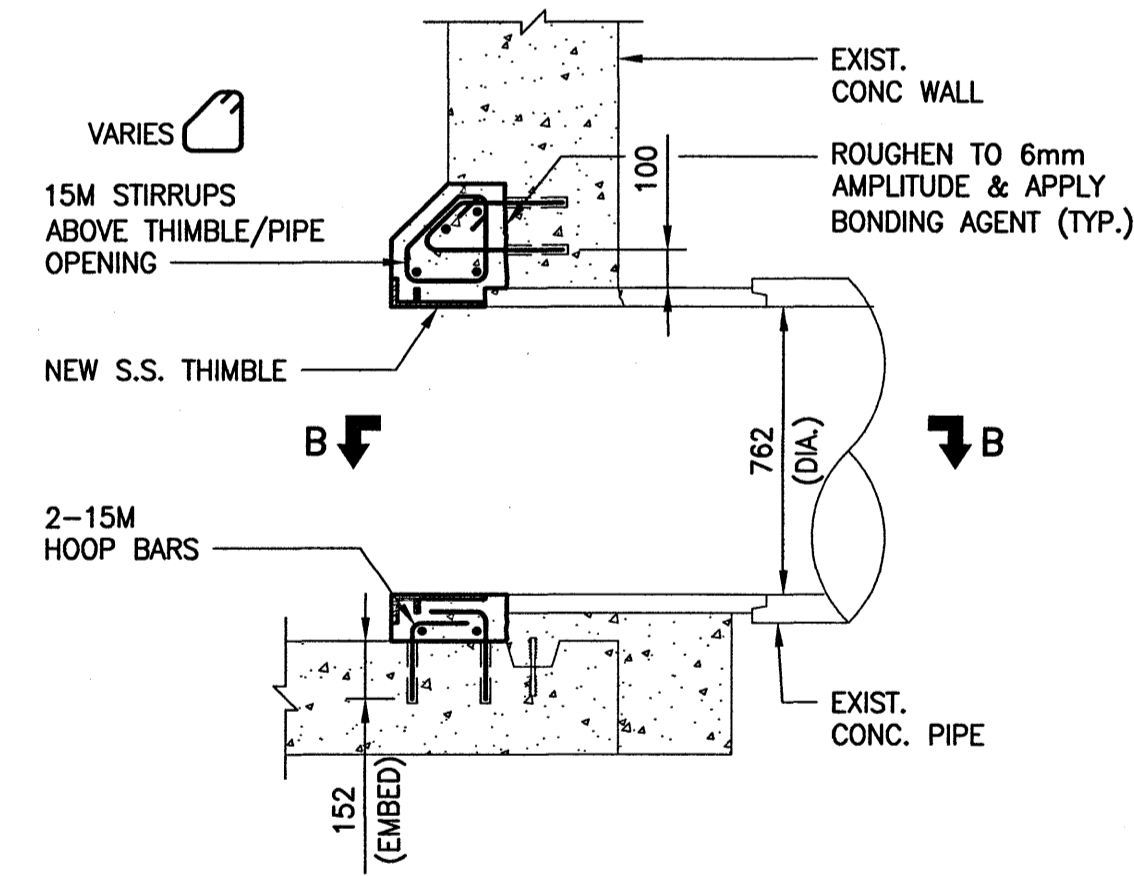
**PARTIAL SECTION**  
SCALE: 1:20



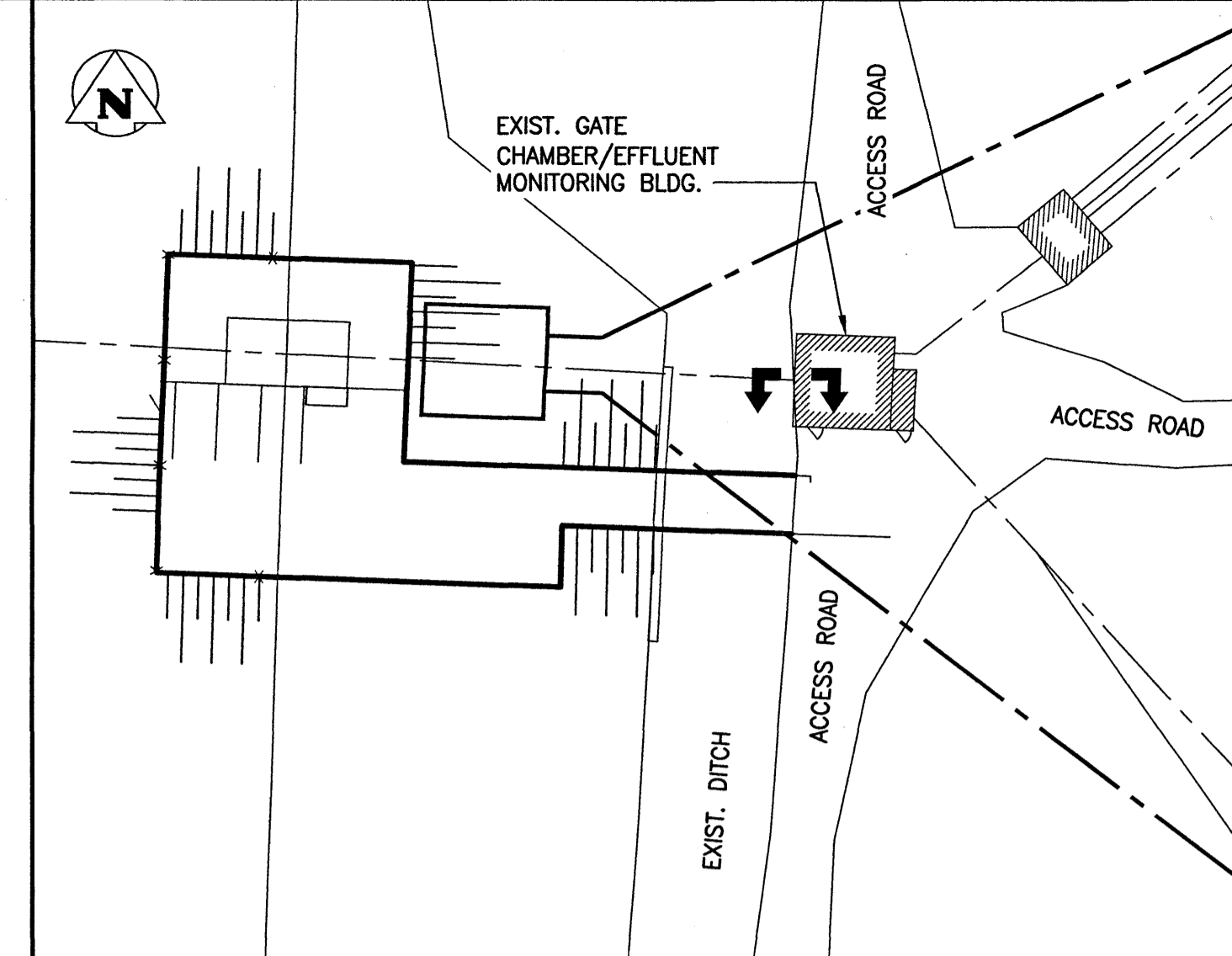
**PARTIAL SECTION**  
SCALE: 1:20



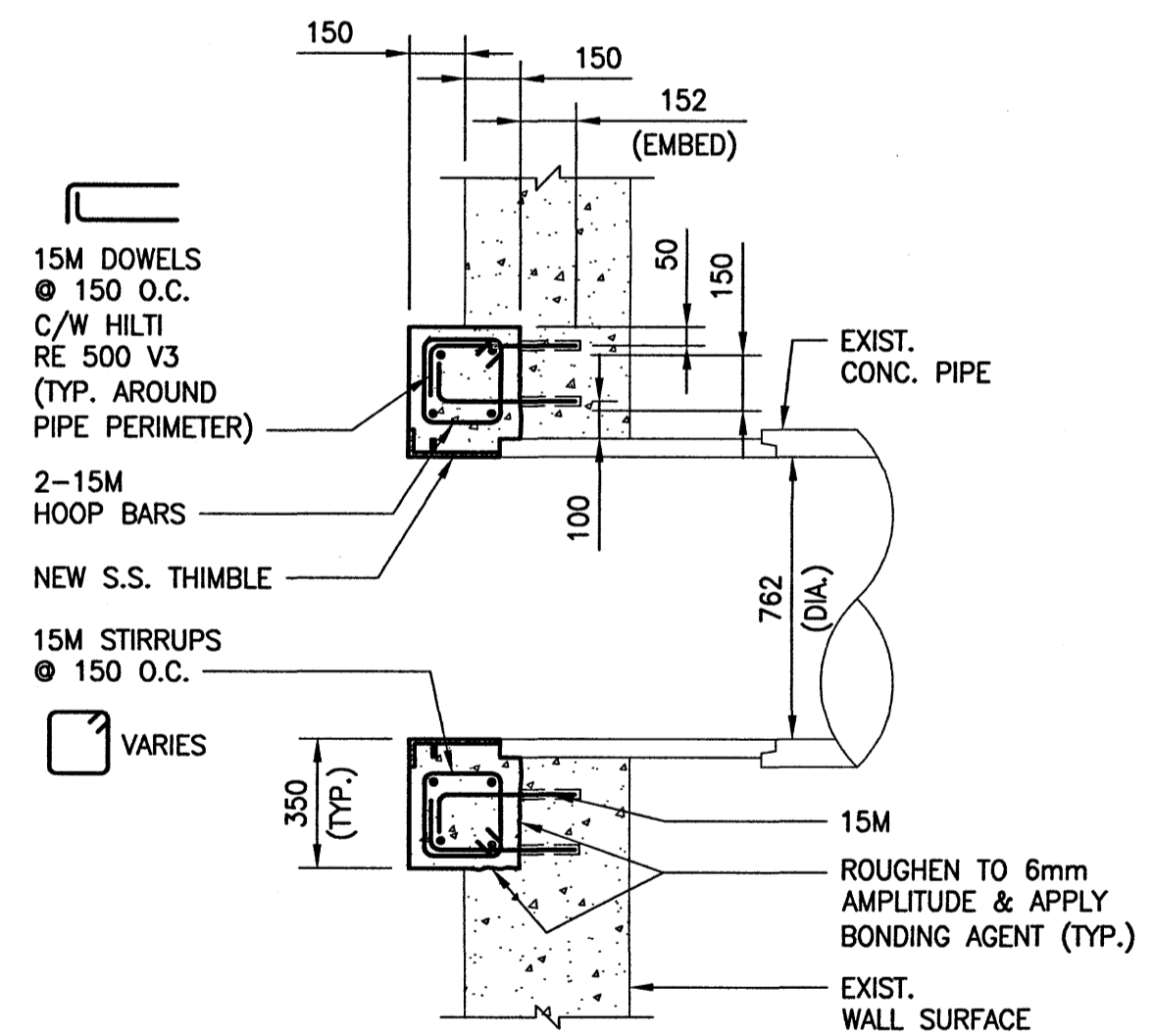
**SECTION A-A**  
SCALE: 1:20



**DETAIL 1**  
SCALE: 1:20



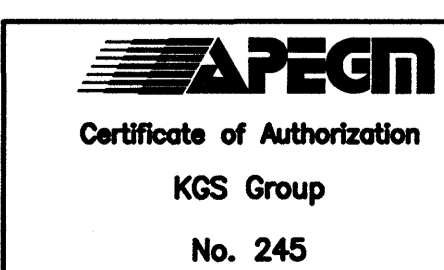
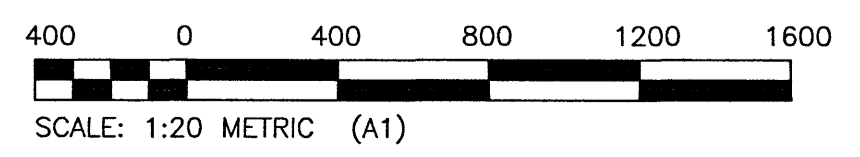
**KEY PLAN**  
SCALE: NTS



**SECTION B-B**  
SCALE: 1:20

GATE SCHEDULE									
TAG NO.	DESCRIPTION	SIZE	CONSTRUCTION STANDARD	GATE FRAME MATERIAL	SEAL MATERIAL	OPER. FLOOR EL.	INVERT EL.	MAX. HEAD	MOUNTING
HV-2001	FABRICATED STAINLESS STEEL SLIDE GATE C/W RISING STEM & SURFACE MOUNTED OPERATOR	762x762 (30"x30")	AWWA C561	316L STAINLESS STEEL	UHMW P.E.	240.057	235.525	3.0m	BOLTED TO FABRICATED S.S. TYPE-F EMBEDDED WALL THIMBLE (SQUARE FLANGE-ROUND OPENING)

REFER TO DWG. C04 FOR FLOW CONTROL REQUIREMENTS.



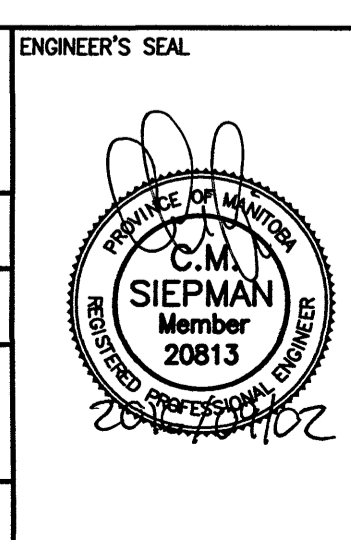
B.M. -	ELEV. -								
DESIGNED BY:	K. R. DYCK	CHECKED BY:	Ows						
DRAWN BY:	F. B. VALENCIA	APPROVED BY:							
SCALE:	AS NOTED	ISSUED FOR CONSTRUCTION BY:							
DATE:	2016/03/17	DATE:							
ISSUED FOR CONSTRUCTION	2016/09/02	DATE	DESIGN/CHECK						
NO. REVISIONS		DATE							

**KGS GROUP**  
CONSULTING ENGINEERS

DESIGNED BY: K. R. DYCK  
DRAWN BY: F. B. VALENCIA  
SCALE: AS NOTED  
DATE: 2016/03/17

CHECKED BY: Ows  
APPROVED BY:  
ISSUED FOR CONSTRUCTION BY:  
DATE:

CONSULTANT NO.: 15-0107-019\_S06



**THE CITY OF WINNIPEG**  
WATER AND WASTE DEPARTMENT

WEST END SEWAGE TREATMENT PLANT  
EFFLUENT MONITORING STATION  
GENERAL ARRANGEMENT DRAWING  
STRUCTURAL

EXISTING GATE CHAMBER SLIDE GATE REPLACEMENT SECTIONS

CITY DRAWING NUMBER: 1-0103-SGAD-2003  
SHEET: 00  
REV.: A1  
SIZE: A1