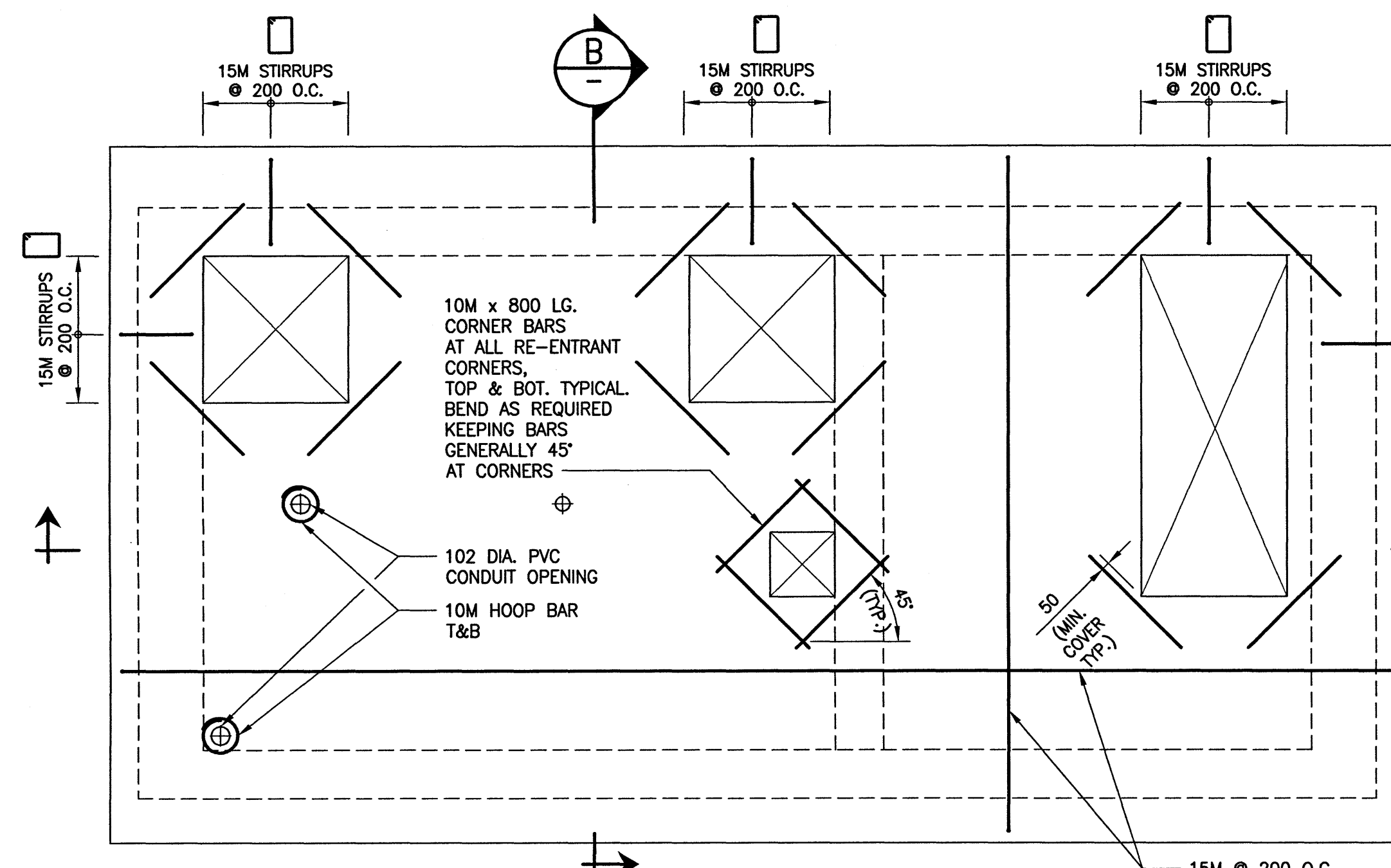


A1 SIZE - 594mm x 841mm

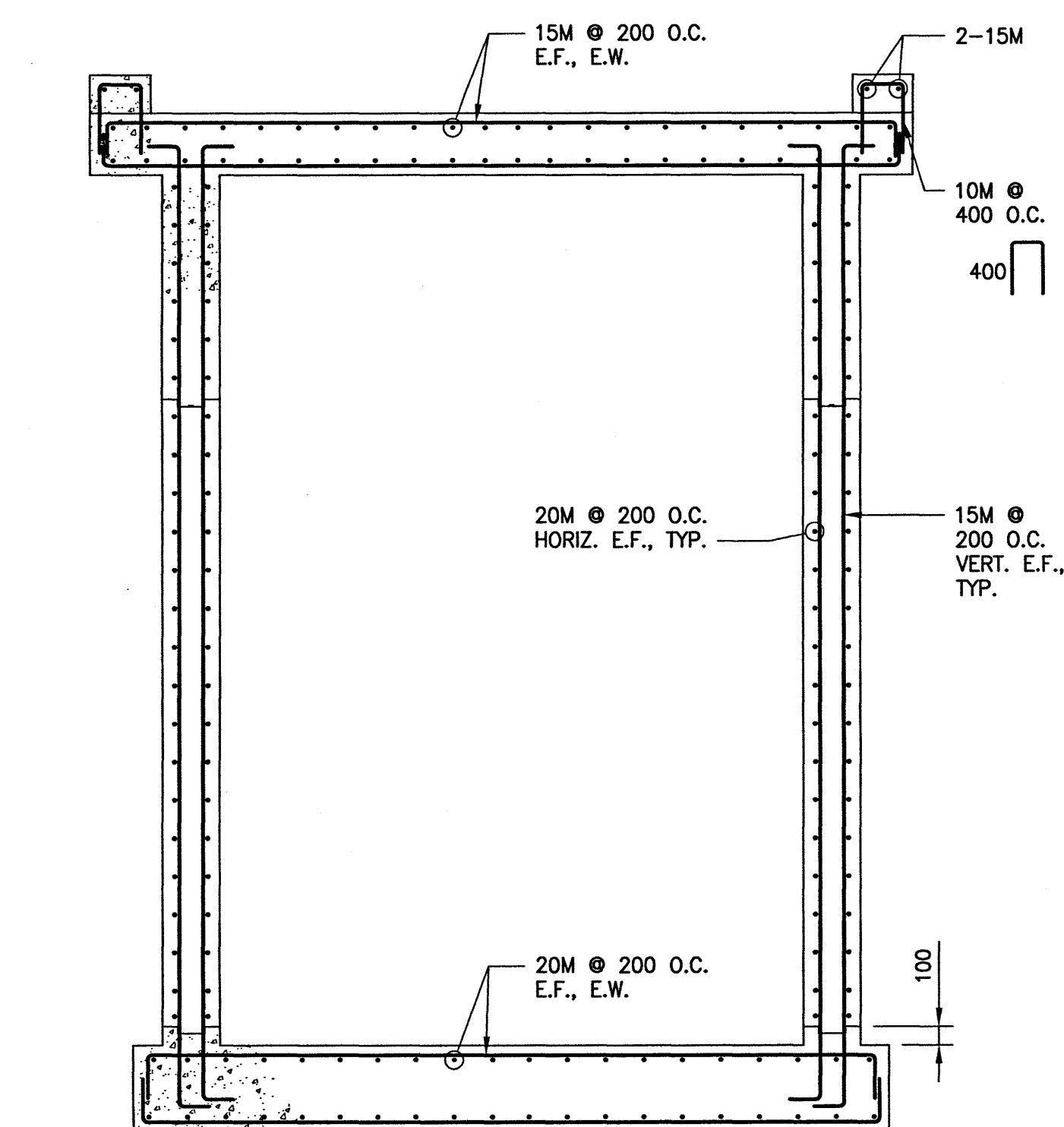
File Name: F:\Projects\2015\15-0107-019\_S04.dwg - Tab: S04 Plotted By: cdenoche 09/02/2016 [Fri 3:43pm]



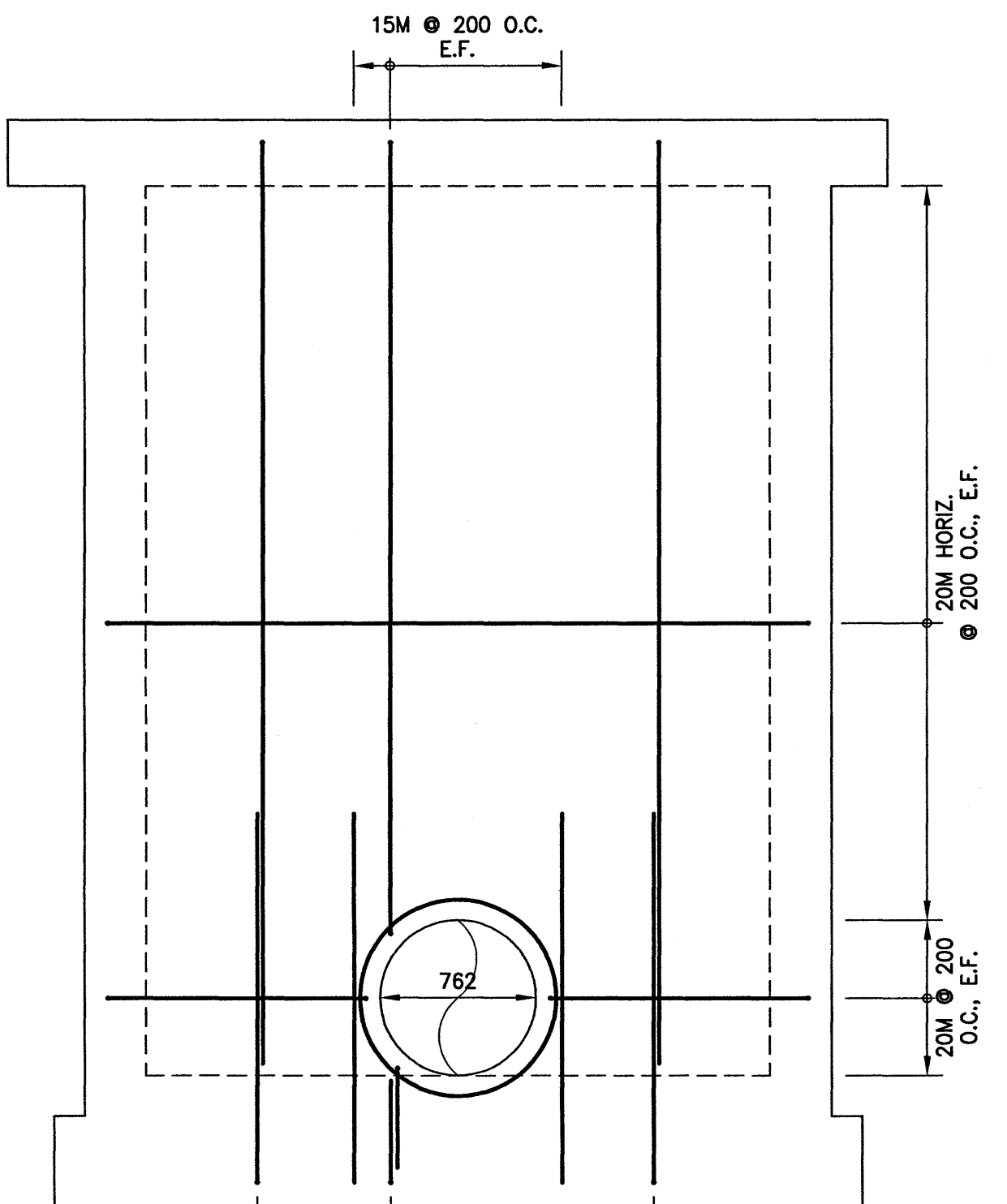
PLAN - FLOOR SLAB REINFORCEMENT  
SCALE: 1:30

NOTE:  
ALL SLAB REINFORCEMENT  
TO HAVE 200mm LEGS  
AT EACH END U.N.O.

NOTE:  
NOT SHOWING  
EMBEDDED FRAMES  
FOR CLARITY.

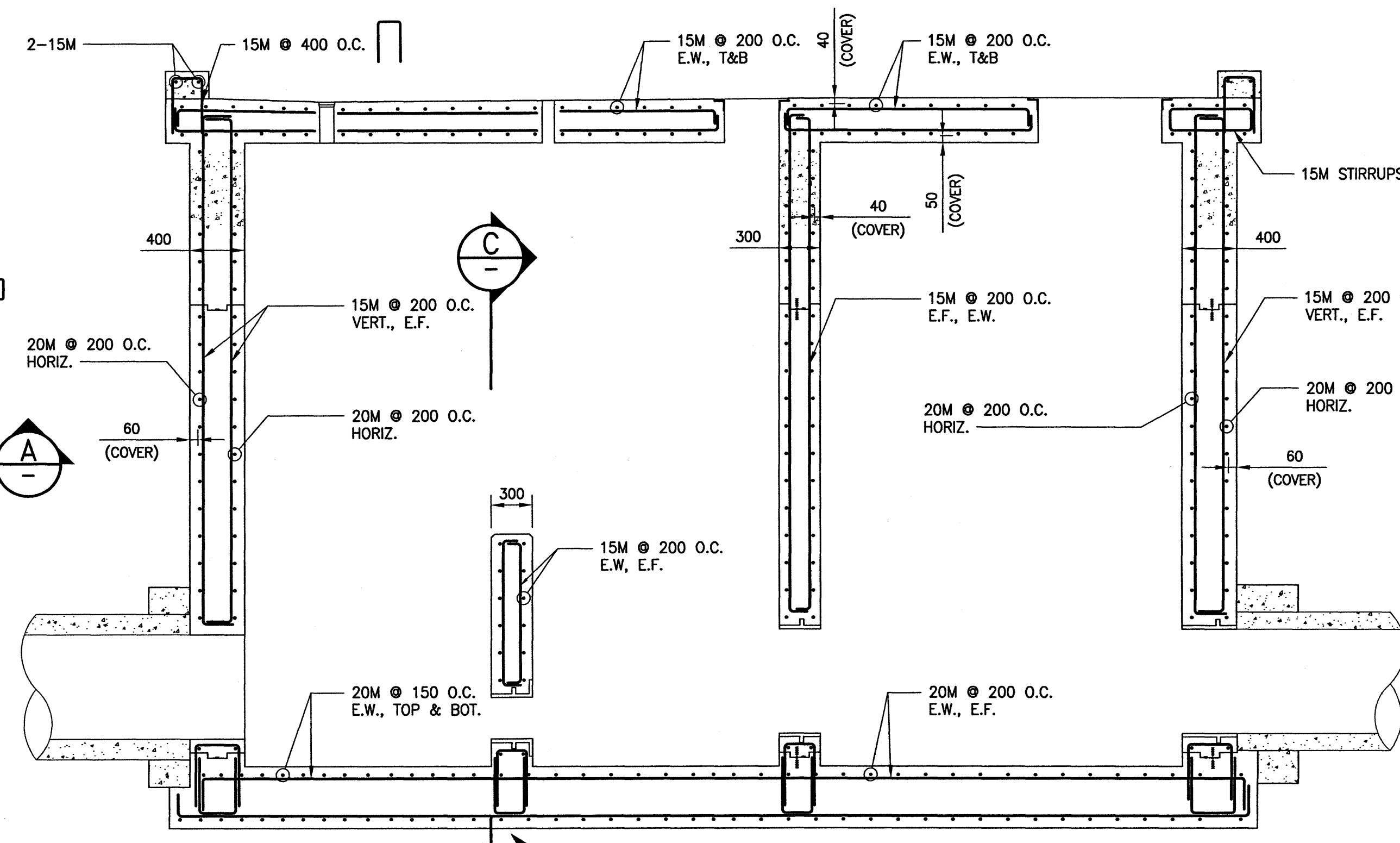
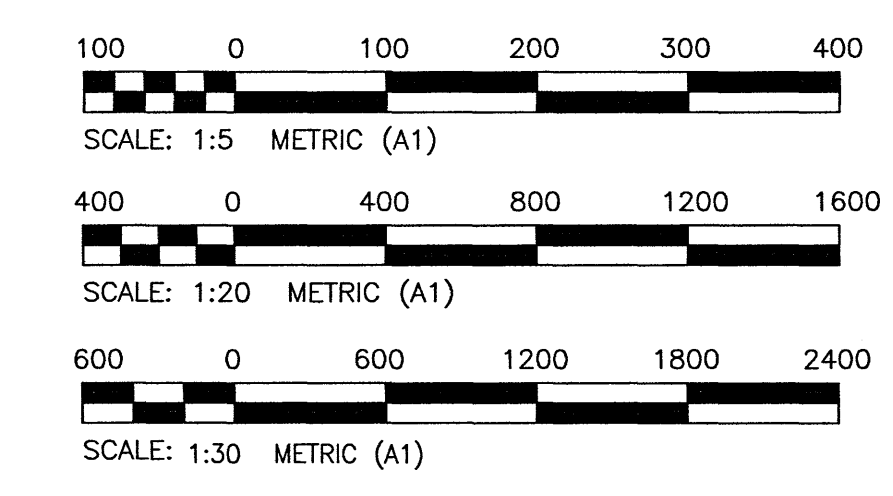


SECTION - REINFORCING LOOKING EAST  
SCALE: 1:30

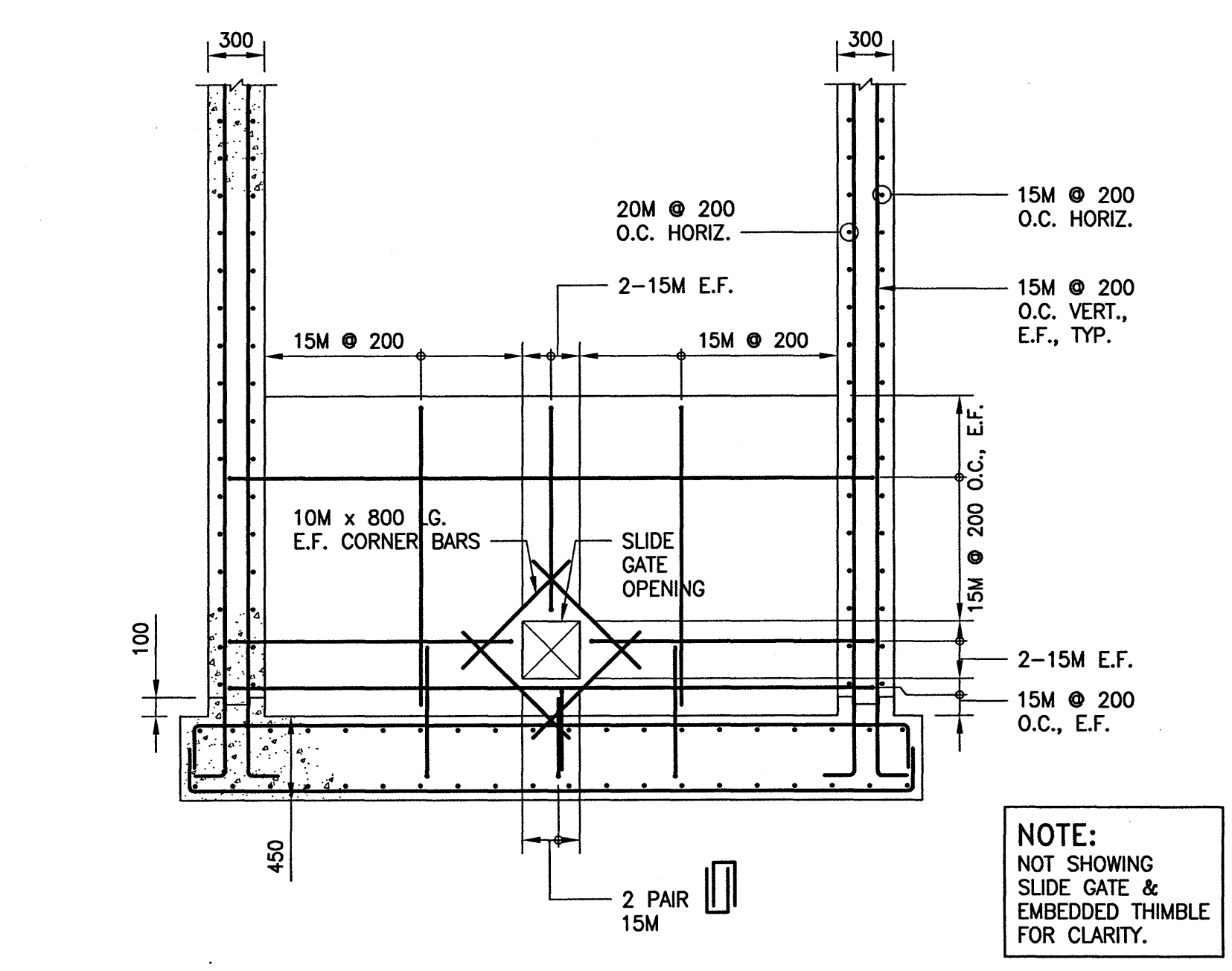


END WALLS REINFORCING  
SCALE: 1:30

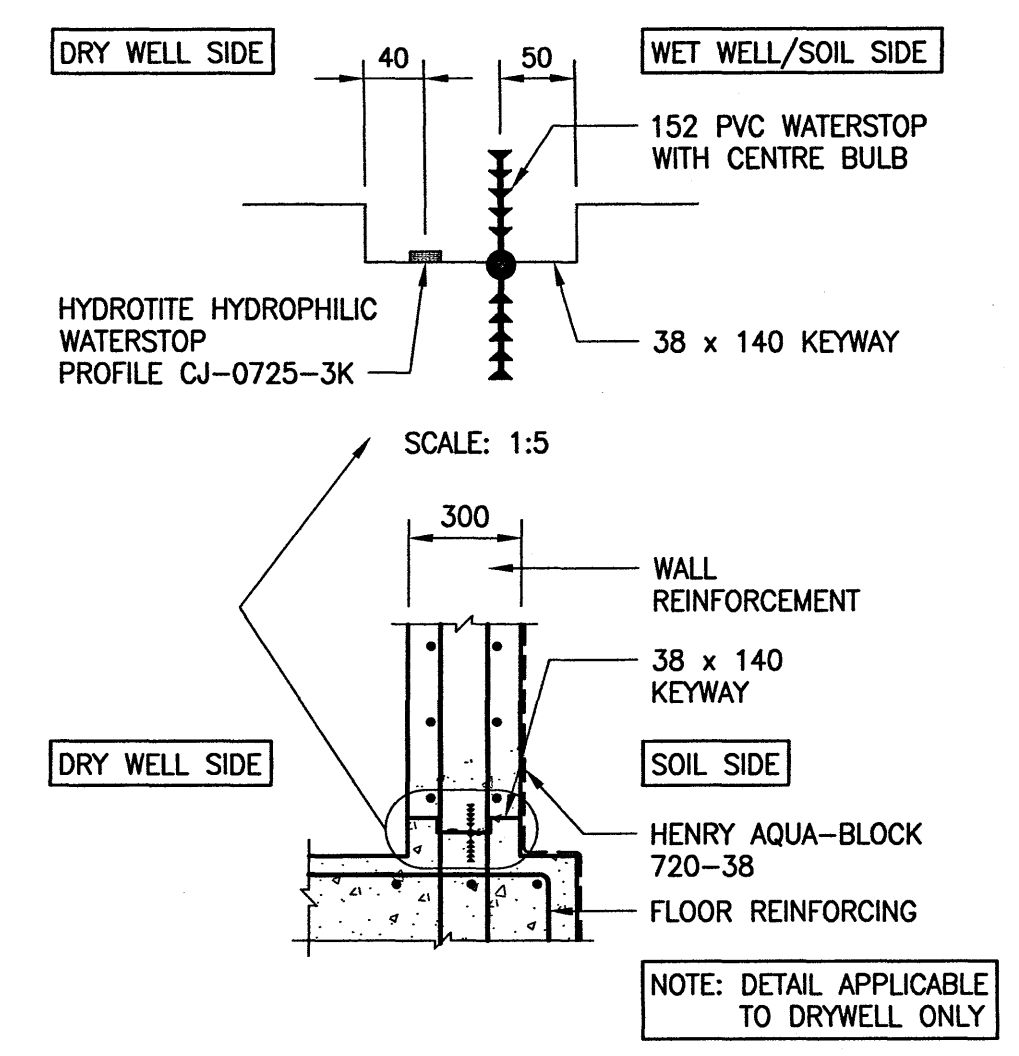
NOTE:  
SIDE WALL, FLOOR & ROOF  
REINFORCEMENT  
NOT SHOWN FOR CLARITY.



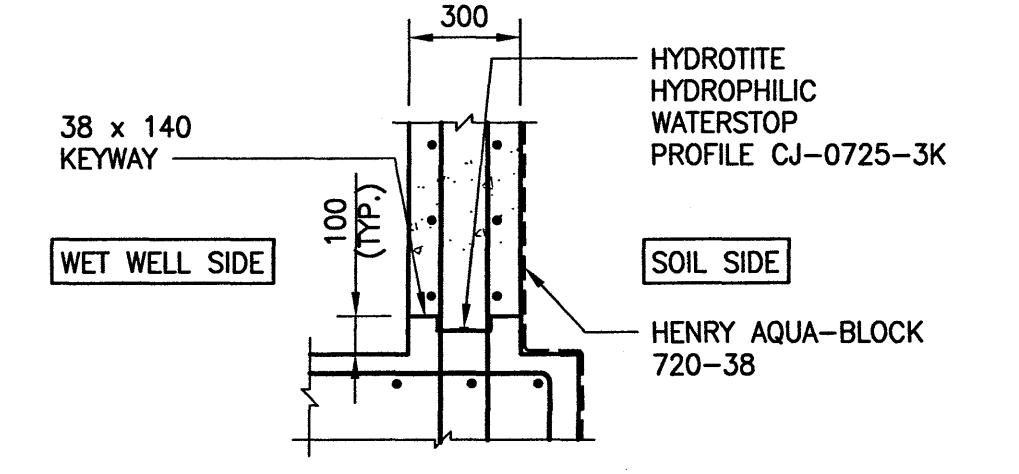
SECTION - REINFORCING LOOKING NORTH  
SCALE: 1:30



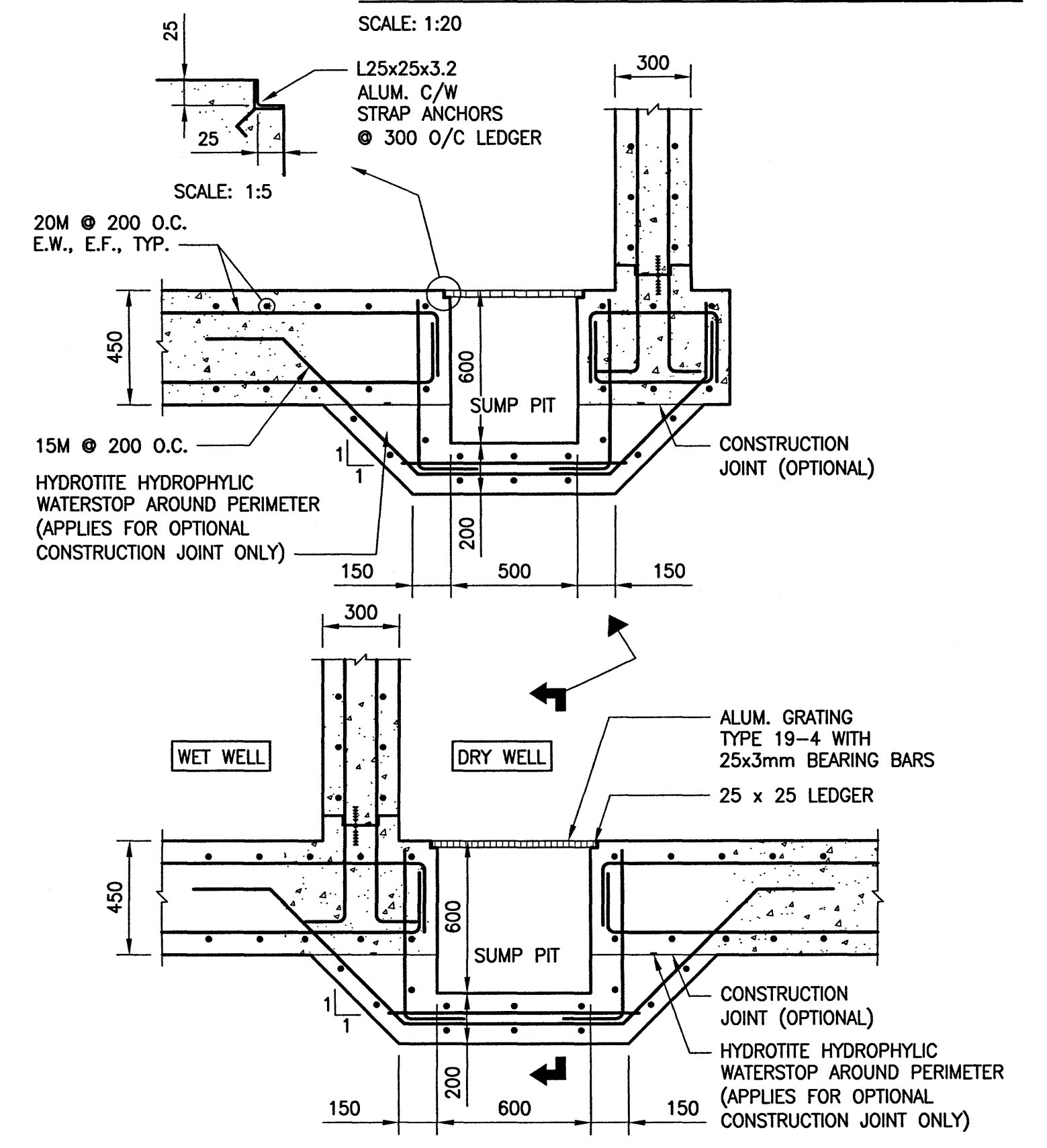
SECTION - REINFORCING THROUGH WEIR WALL  
SCALE: 1:30



DETAIL - WATERSTOP  
SCALE: 1:20



DETAIL - APPLICABLE TO WET WELL  
SCALE: 1:20

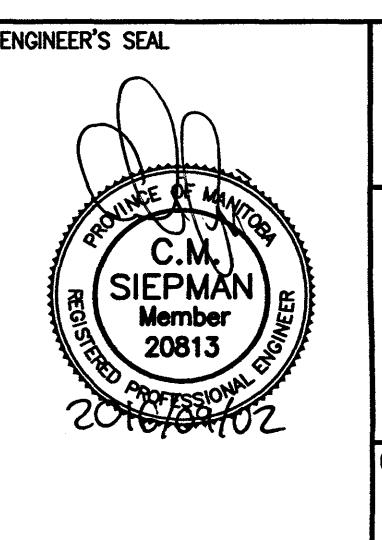


REINFORCEMENT THROUGH SUMP PIT  
SCALE: 1:20



B.M. ELEV.	-				
NO.	REVISIONS	DATE	DESIGN	CHECK	
00	ISSUED FOR CONSTRUCTION	2016/09/02	Y.S.	CMS	

<b>KGS GROUP</b> CONSULTING ENGINEERS	
DESIGNED BY: K. R. DYCK	CHECKED BY: CMS
DRAWN BY: F. B. VALENCIA	APPROVED BY:
SCALE: AS NOTED	ISSUED FOR CONSTRUCTION BY:
DATE:	DATE:
CONSULTANT NO.: 15-0107-019_S04	



<b>THE CITY OF WINNIPEG</b> WATER AND WASTE DEPARTMENT		
WEST END SEWAGE TREATMENT PLANT EFFLUENT MONITORING STATION STRUCTURAL REINFORCING DETAILS SECTIONS & DETAILS		
CITY DRAWING NUMBER 1-0103-SRDW-Z001	SHEET 00	REV. SIZE A1