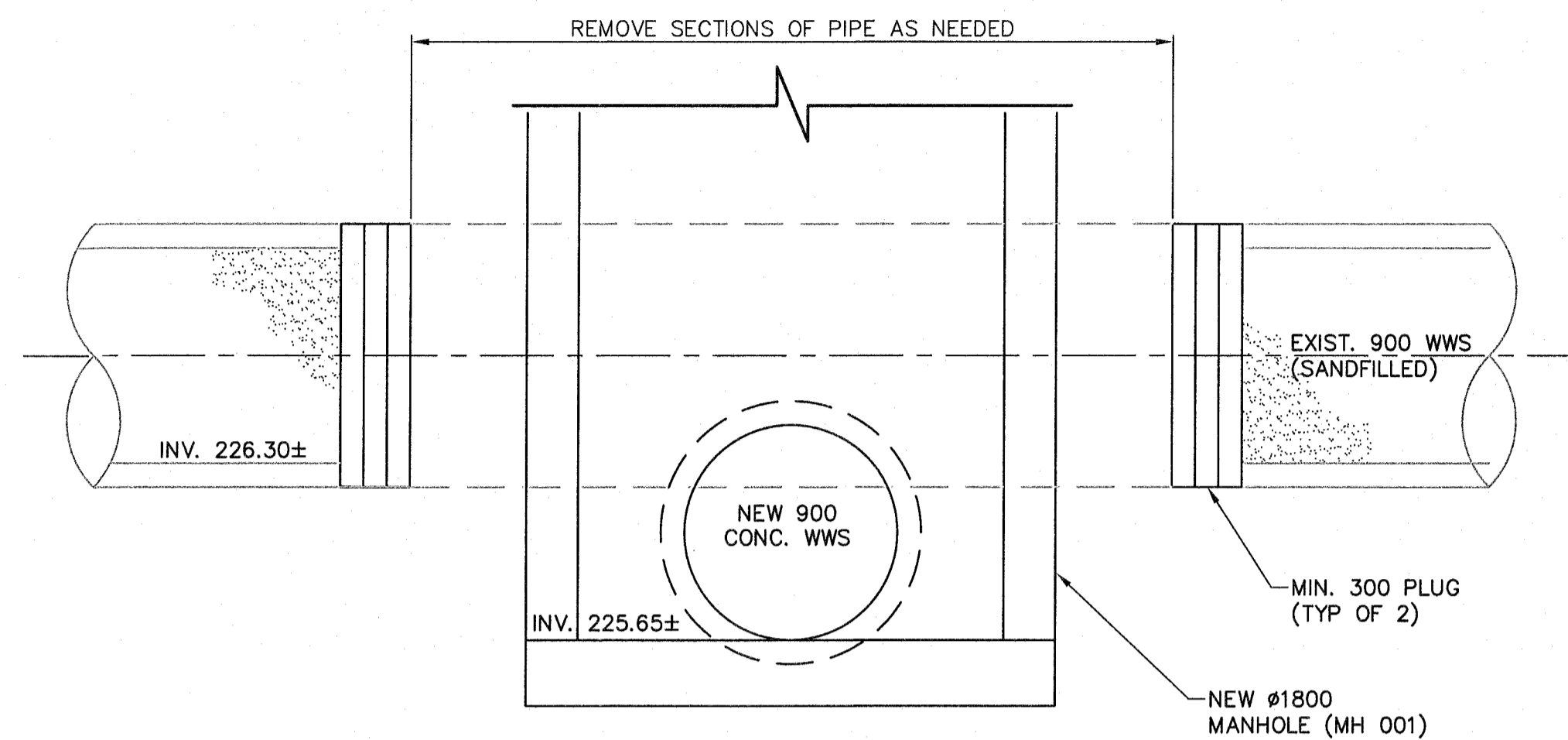


PLAN



SECTION A-A

1 CONNECTION DETAIL
1:50

CONSTRUCTION NOTES:

- SEWER AND WATER SERVICES SHOWN ON DRAWING ARE APPROXIMATE ONLY.
- LOCATION OF ALL SEWER AND WATER LINES TO BE CONFIRMED IN FIELD.
- INSTALL NEW SEWER BY TRENCHLESS METHODS, UNLESS OTHERWISE NOTED.
- EXISTING 900 WWS PIPE ABANDONED DURING DECOMMISSIONING OF TRANSCONA LIFT STATION. PIPE FILLED WITH SAND AND PLUGGED AT EXISTING MANHOLE.
- EXISTING ABANDONED MANHOLE AND DOWNSTREAM 900 WWS PIPE (TO MH E01) TO BE INVESTIGATED FOR ANY LIVE CONNECTIONS AND REPORT TO BE PROVIDED TO CONTRACT ADMINISTRATOR. MANHOLE AND 900 PIPE TO BE ABANDONED AFTER INSTRUCTION FROM CONTRACT ADMINISTRATOR AS DETAILED IN SPECIFICATIONS.



B.M. ELEV.		ch2m		ENGINEER'S SEAL					
CONSTRUCTION COMPLETION DATE: YYYY MM DD				DESIGNED BY: MAF	CHECKED BY: MD				
		DRAWN BY: JBC	APPROVED BY: <i>E. Sharp</i>	SCALE: HORIZONTAL AS NOTED, VERTICAL -		RELEASED FOR CONSTRUCTION: <i>[Signature]</i>		SHEET 24 OF 24	
0 ISSUED FOR TENDER 02/16 JBC								CITY DRAWING NUMBER: LD-7767	
NO. REVISIONS DATE BY				PLOT DATE: 2016 02 11		BID OPPORTUNITY: 70-2016		FILE PATH: C:\pw_workdir\den001\cortez1\40251767\ FILE NAME: C-511.dwg	