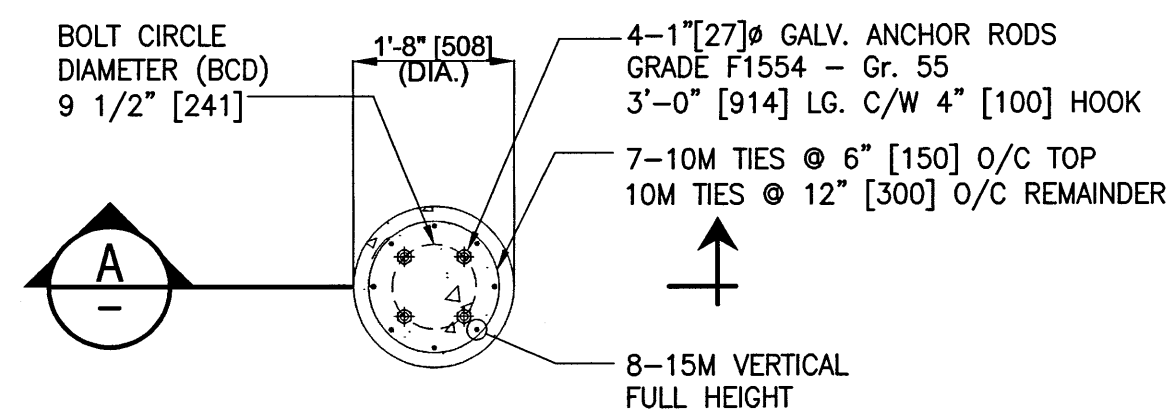
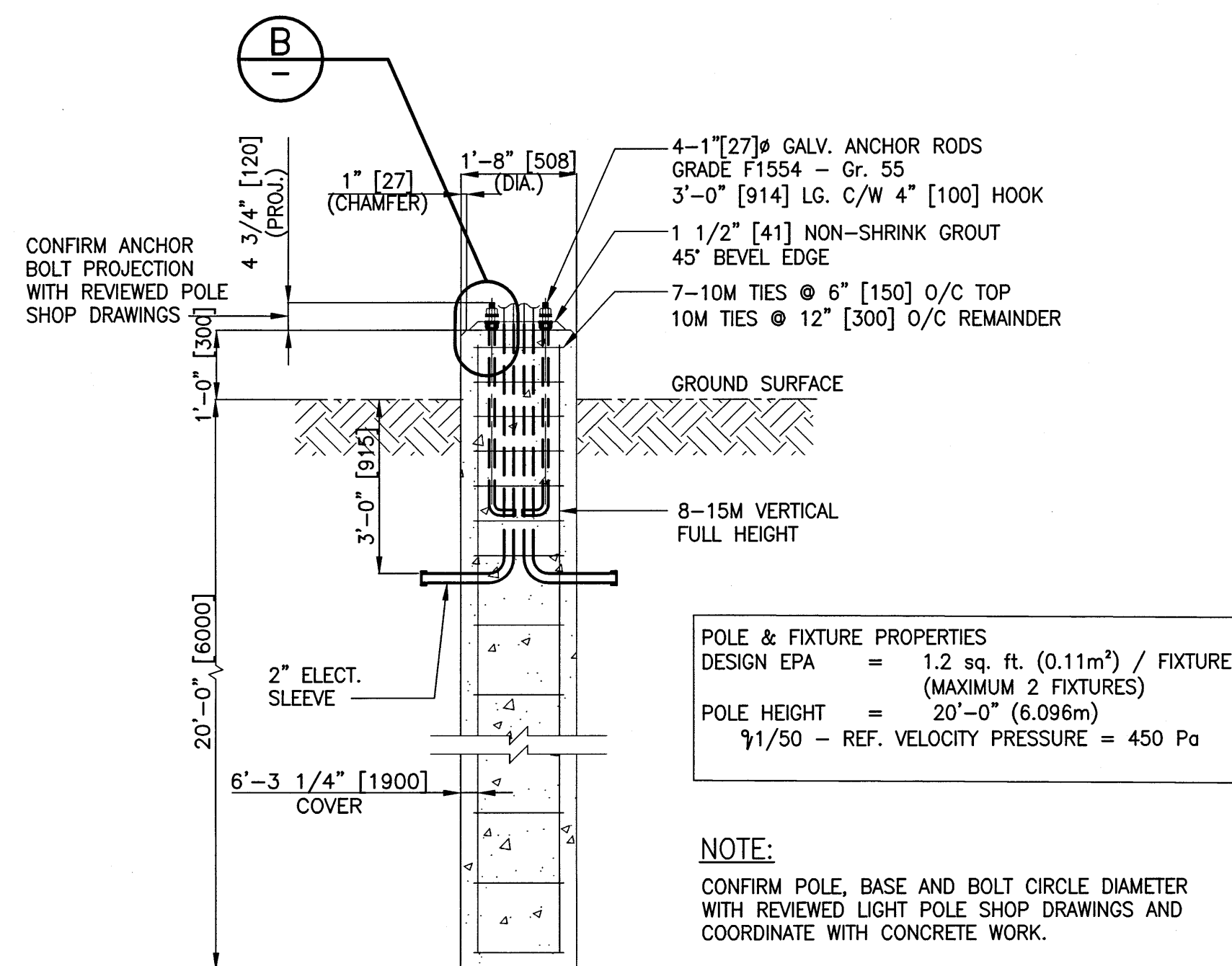


PILE SCHEDULE			
MARK	DIAMETER	PILE LENGTH BELOW GRADE	REMARKS
P1	1'-8"	20'-0"	REFER TO SECTION A & DETAIL 1



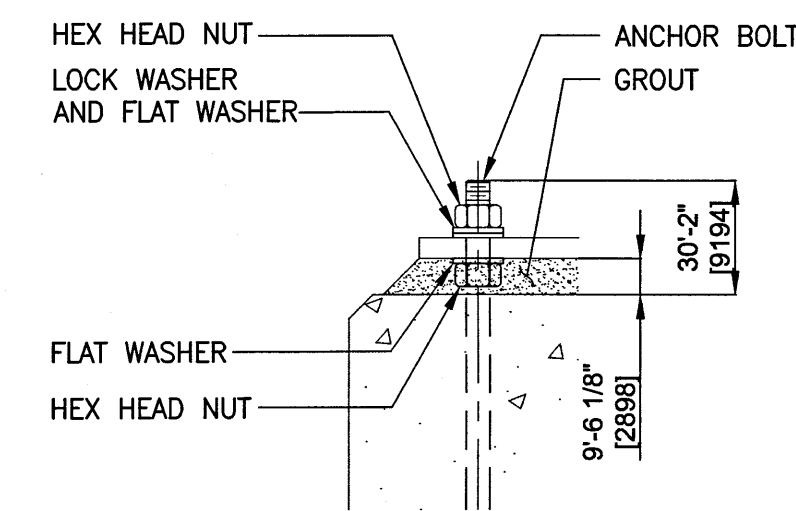
1 DETAIL - PILE 'P1'
SCALE: N.T.S.



A SECTION - PILE 'P1'
SCALE: N.T.S.

POLE & FIXTURE PROPERTIES
 DESIGN EPA = 1.2 sq. ft. (0.11m²) / FIXTURE
 (MAXIMUM 2 FIXTURES)
 POLE HEIGHT = 20'-0" (6.096m)
 1/50 - REF. VELOCITY PRESSURE = 450 Pa

NOTE:
 CONFIRM POLE, BASE AND BOLT CIRCLE DIAMETER WITH REVIEWED LIGHT POLE SHOP DRAWINGS AND COORDINATE WITH CONCRETE WORK.

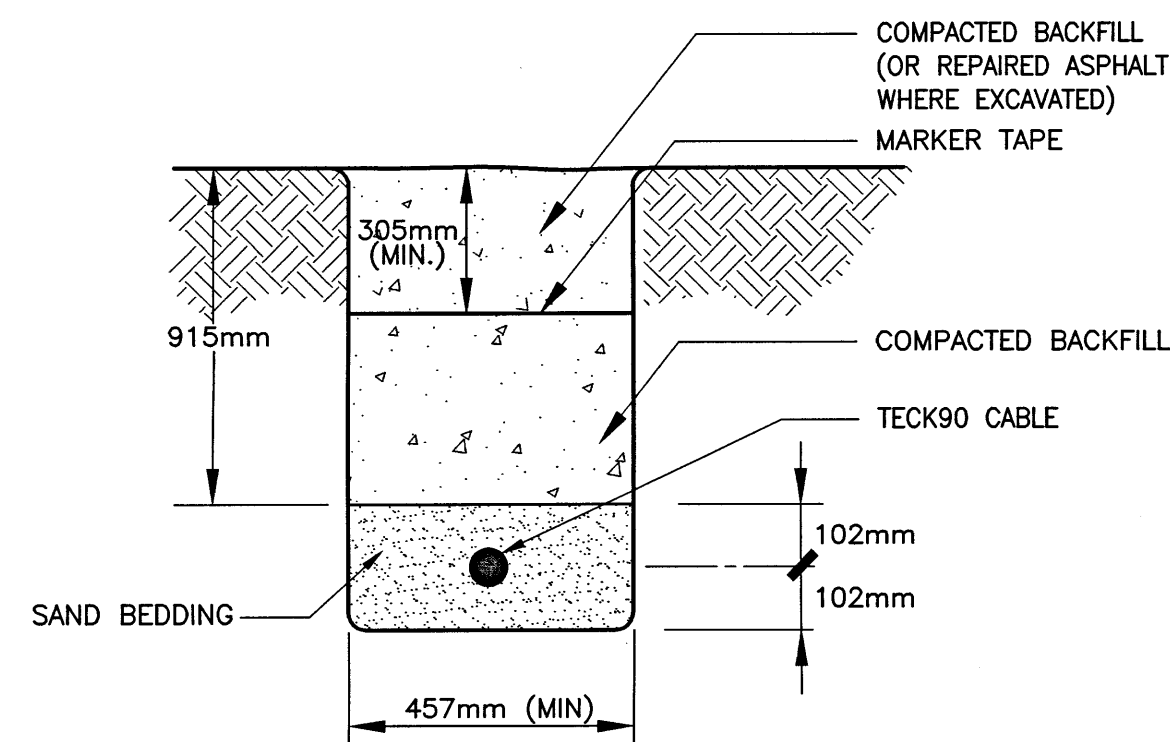


B DETAIL - ANCHOR
SCALE: N.T.S.

DRAWING LIST	
DWG. No.	DESCRIPTION
E1-00	SITE PLAN
E2-00	SYMBOL LEGEND, DRAWING LIST, DETAILS AND SCHEDULE
E3-00	SPECIFICATIONS
DRAWING QUANTITY = 3	

LEGEND	
	POLE MOUNTED LUMINAIRE
	JUNCTION BOX
	PHOTOCELL
	FIELD EQUIPMENT

ABBREVIATION / SYMBOL MODIFIER LIST	
WP	WEATHER PROOF
15/20	T-SLOT RECEPTACLE



2 TRENCH DETAIL
SCALE: N.T.S.

LUMINAIRE SCHEDULE														
TYPE	DESCRIPTION	MANUF.	PART/MODEL #	MOUNTING				LAMPS			POWER		NOTES	
				CEILING	WALL	RECESSED SURFACE	SUSPENDED	QTY PER FIXTURE	TYPE	COLOR TEMP. (K)	LUMENS (LM)	VOLT. (V)		WATTS PER FIXTURE (W)
A	POLE MOUNTED AREA LED FIXTURE, 14' ROUND POLE, WHITE ASYMMETRICAL REFLECTIVE SHADE INTEGRAL PHOTOCELL	SELUX LUMINIS	RSAL 1 RP14 L5S 4000 WH 120 ECB71 LW48RI 120 WHT PH PAA414 WH Y UNV					3	LED	4000	4000	120	51	

3 LUMINAIRE SCHEDULE
SCALE: N.T.S.

0	17/06/21	ISSUED FOR CONSTRUCTION	CLL	CLL
NO.	YY/MM/DD	DESCRIPTION	DESIGN BY	DESIGN CHECK

REVISIONS / ISSUE

CLIENT:
SCATLIFF + MILLER + MURRAY
 visionary urban design + landscapes

PROJECT:
 BONNYCASTLE PARK
 IMPROVEMENT

DWG. DESCRIPTION:
 ELECTRICAL
 SYMBOL LEGEND, DRAWINGS LIST,
 DETAILS AND SCHEDULE

AUTHENTICATION FOR CURRENT REVISION

ENG. STAMP
 PROVINCE OF ONTARIO
 SURGEONER
 Member
 31105

DESIGN BY:	JLL	DATE (YY/MM/DD):	17/06/07
DESIGN CHECK:	CLL	DATE:	17/06/21
DRAWN BY:	RAH	DATE:	17/06/07
DWG CHECK:	CLL	DATE:	17/06/21

APEGM
 Certificate of Authorization
 KGS Group
 No. 245

DWG. NO.: 17-0109-007 E2-00 0