

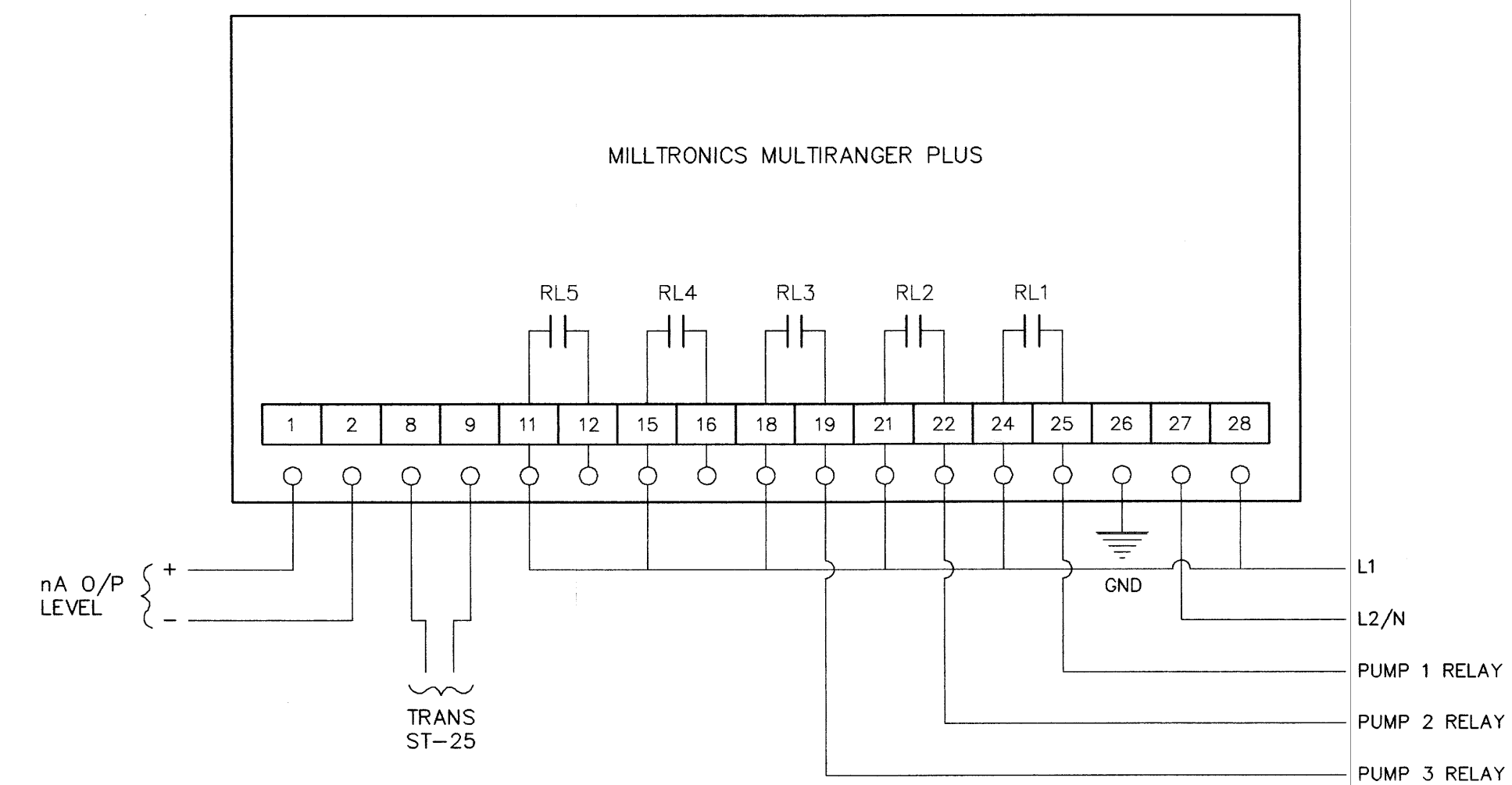
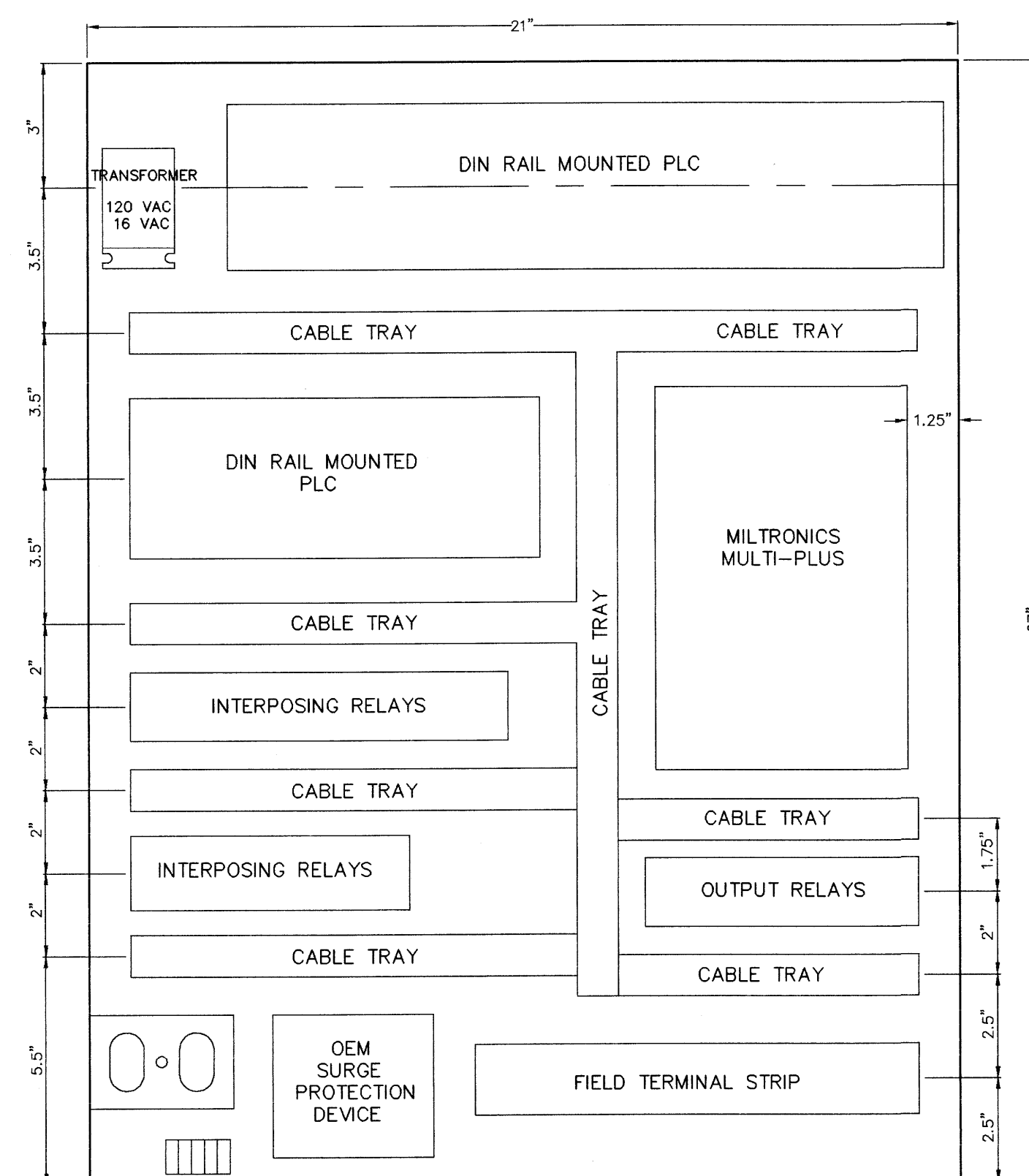
ALARM WIRING TEMPLATE

ALARM INPUT	DESCRIPTION	PLC ADDRESS	COLOR
ALARM INPUT 1	LOCKOUT	10001	BLUE
ALARM INPUT 2	OVERFLOW	10002	BLUE/WHITE
ALARM INPUT 3	STATION FLOOD	10003	BLUE/RED
ALARM INPUT 4	LOW INSTR. AIR	10004	BLUE/BLACK
ALARM INPUT 5	LOW TEMP.	10005	RED
ALARM INPUT 6	LOSS OF SEAL WATER	10006	RED/BLACK
ALARM INPUT 7	GENERATOR RUN	10007	RED/WHITE
ALARM INPUT 8	POWER FAILURE	10008	ORANGE
ALARM INPUT 9	FLOOD STATION HIGH WET WELL	10009	ORANGE/RED
ALARM INPUT 10	FLOOD STATION FLOOD	10010	ORANGE/BLACK
ALARM INPUT 11	GENERATOR FAIL	10011	BLACK
ALARM INPUT 12	WET WELL UPPER	10012	BLACK/WHITE
ALARM INPUT 13	COM/PUMP FAILURE	10013	BLACK/RED
ALARM INPUT 14			GREEN
ALARM INPUT 15			GREEN/BLACK
ALARM INPUT 16			GREEN/WHITE

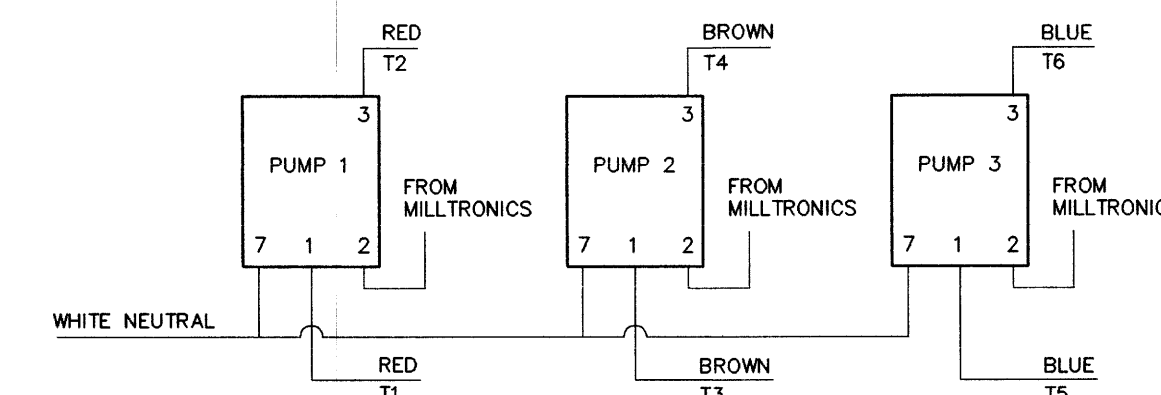
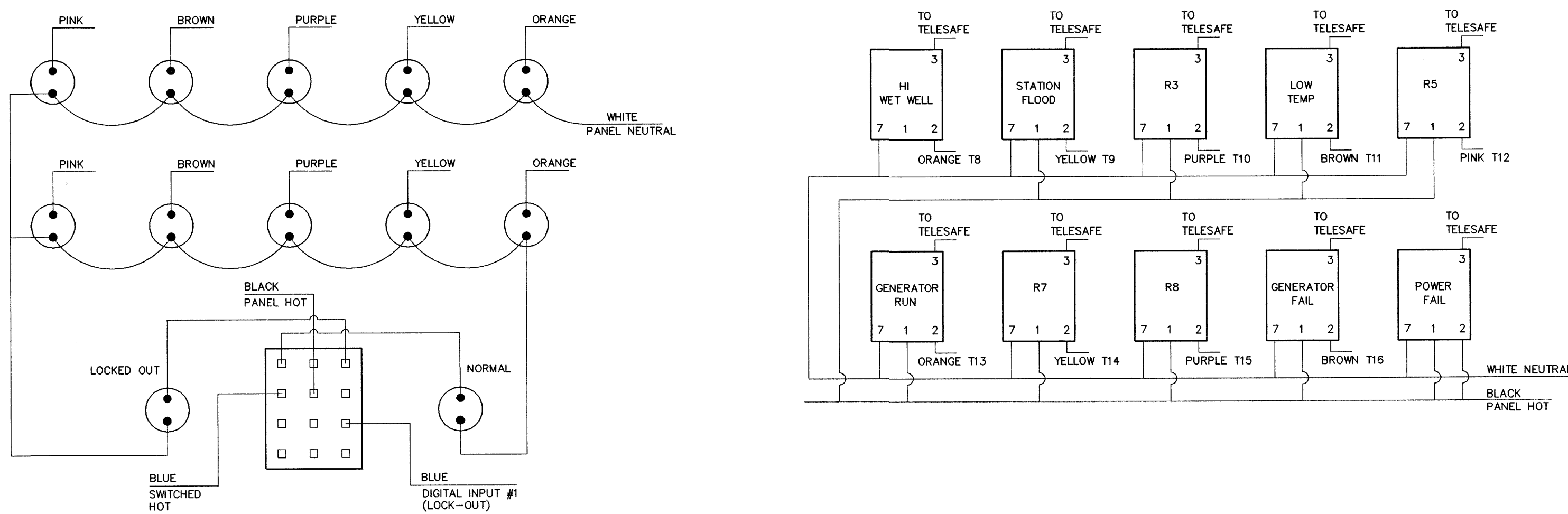
Any other types of alarms are to be wired to alarm inputs 14 through 16. Otherwise call the Metershop for further instructions.

ANALOG WIRING	PLC ADDRESS
INPUT 1	LIFT LEVEL 30001
INPUT 2	FLOOD LEVEL 30002
INPUT 3	FLOW 30003

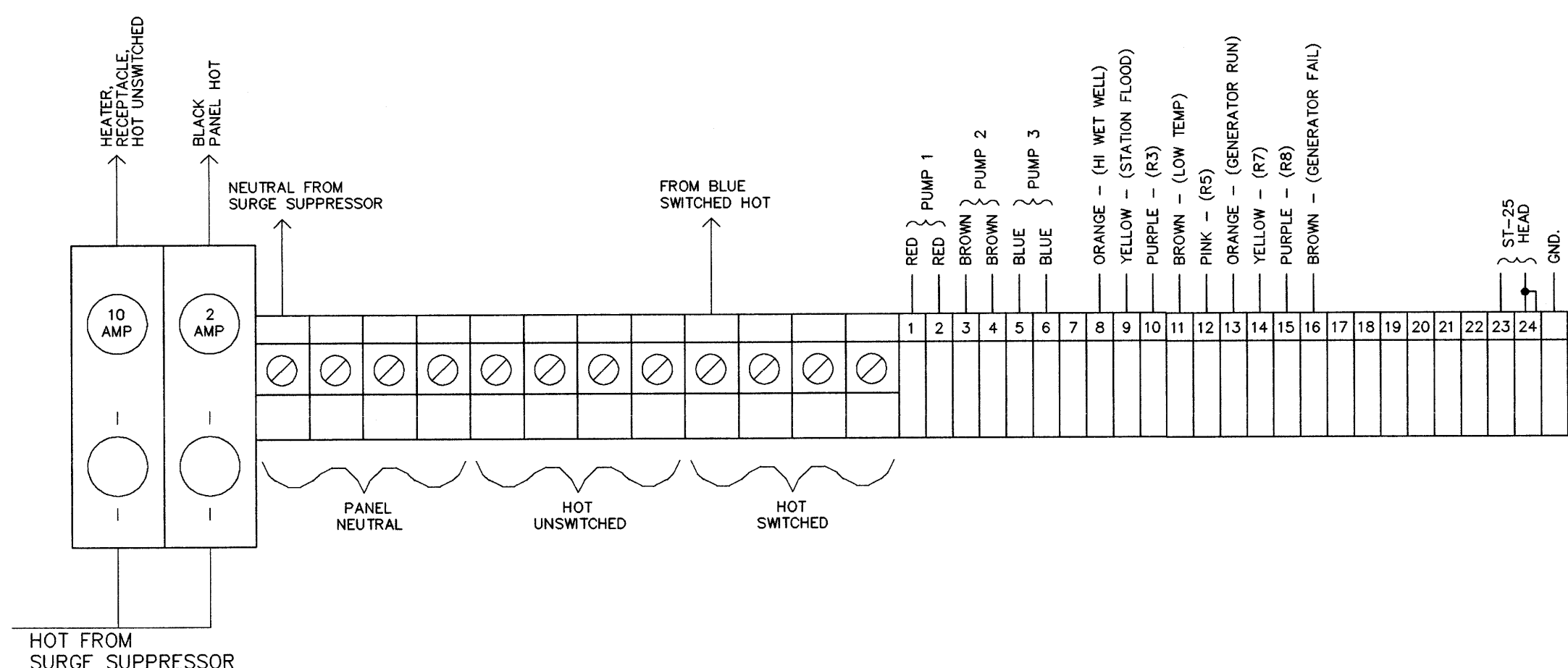
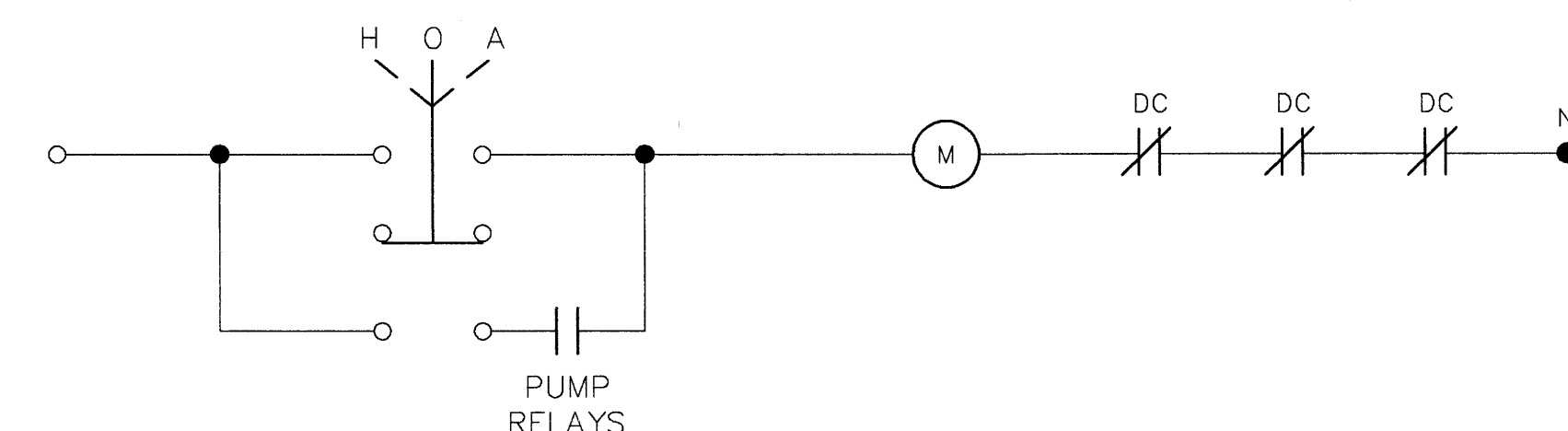
BACK PANEL LAYOUT



WIRING DIAGRAM



TYPICAL MOTOR STARTER



C:\DRAWINGS\MASTER\SEWPUMP\4319 Mod Mar 04 09:22:19 1998

B.M. ELEV.	FIELD BOOK #:	<b>CITY OF WINNIPEG</b> <b>WATER AND WASTE</b> <b>ENGINEERING DIVISION</b>	ENGINEER'S SEAL		<b>THE CITY OF WINNIPEG</b> <b>WATER AND WASTE DEPARTMENT</b>
POSTED TO LBIS					
DESIGNED BY: BS	CHECKED BY: BS				<b>LARCHDALE LIFT STATION</b>
DRAWN BY: TM	APPROVED BY:				
HOR. SCALE: N.T.S.	RELEASED FOR CONSTRUCTION:				ELECTRICAL AND CONTROL
VERTICAL: N.T.S.	DATE: 1998 02 27				SHEET OF CITY DRAWING NUMBER <b>4319</b>
NO. REVISIONS	DATE	BY	DATE	PLOT DATE: 1998 02 27	