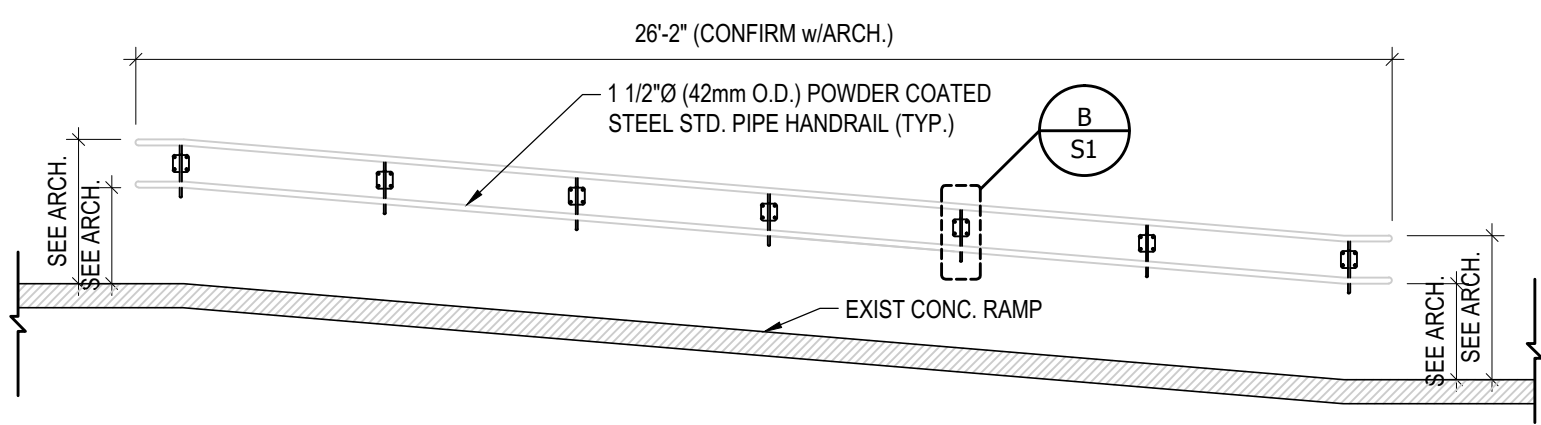
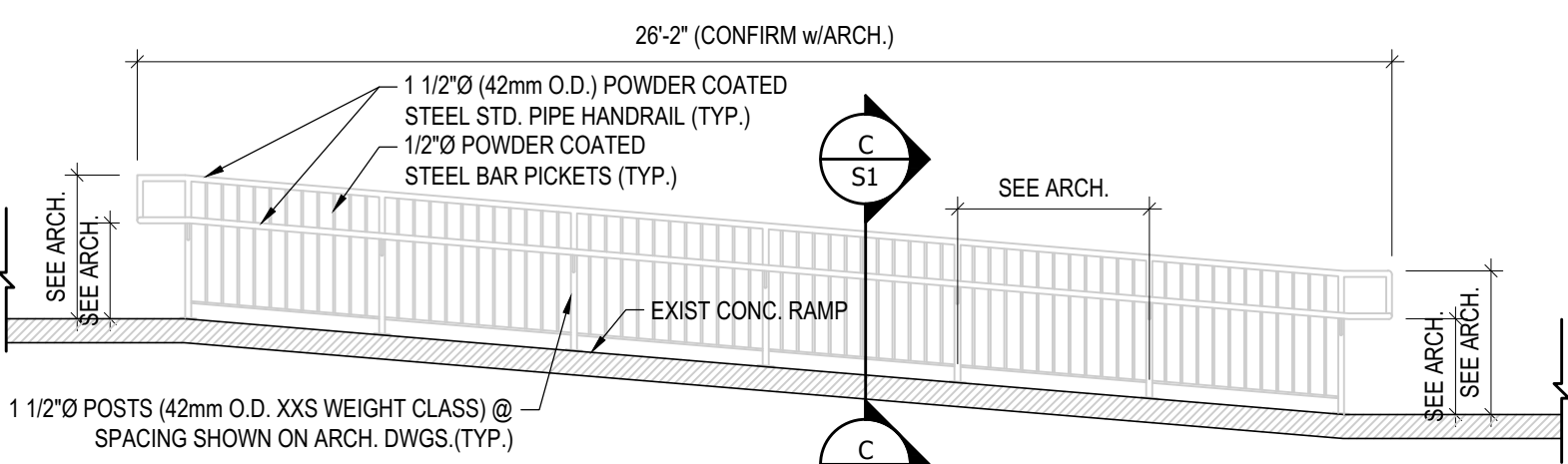


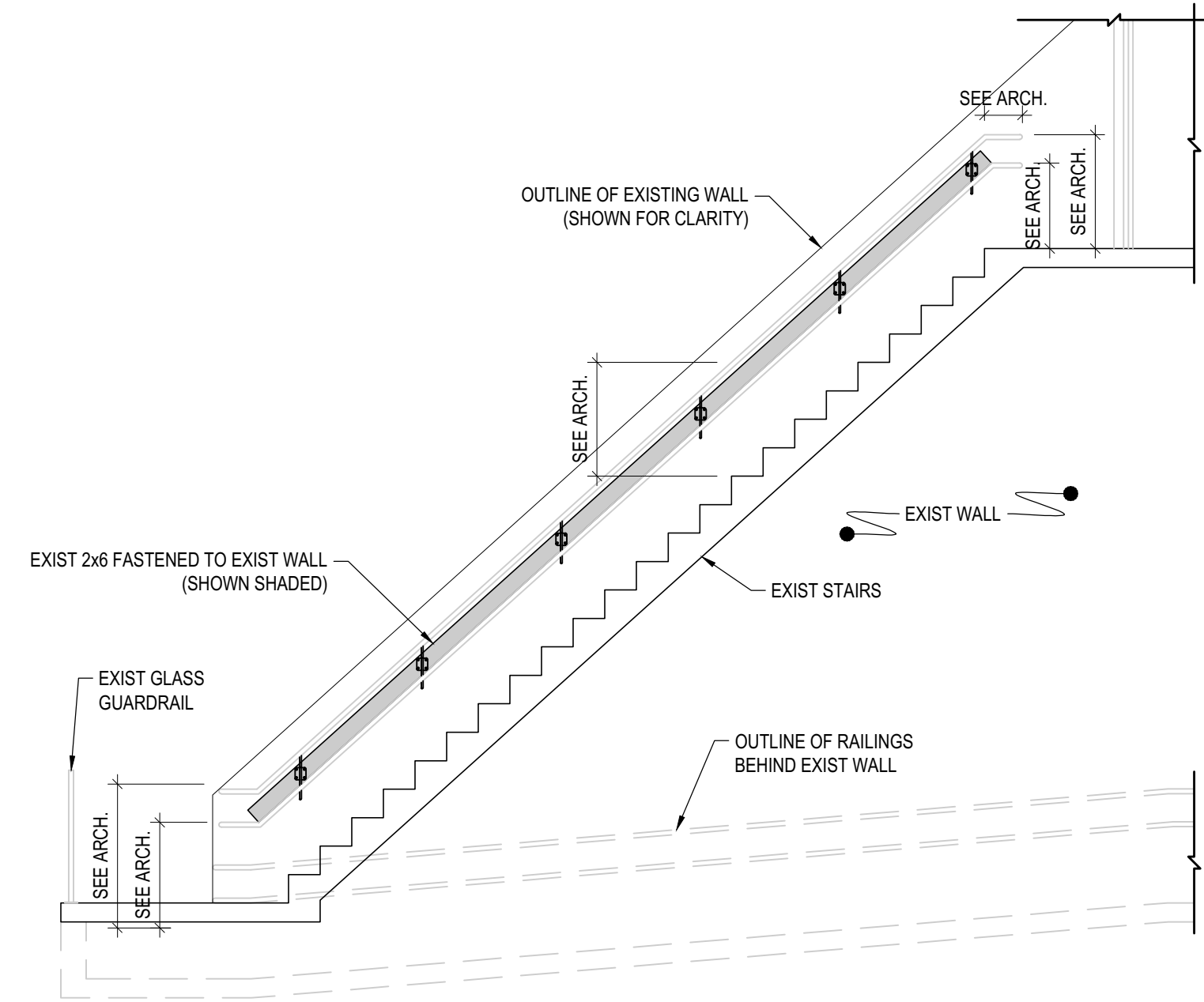
1 SECTION
S1 SCALE : 1/4"=1'-0"



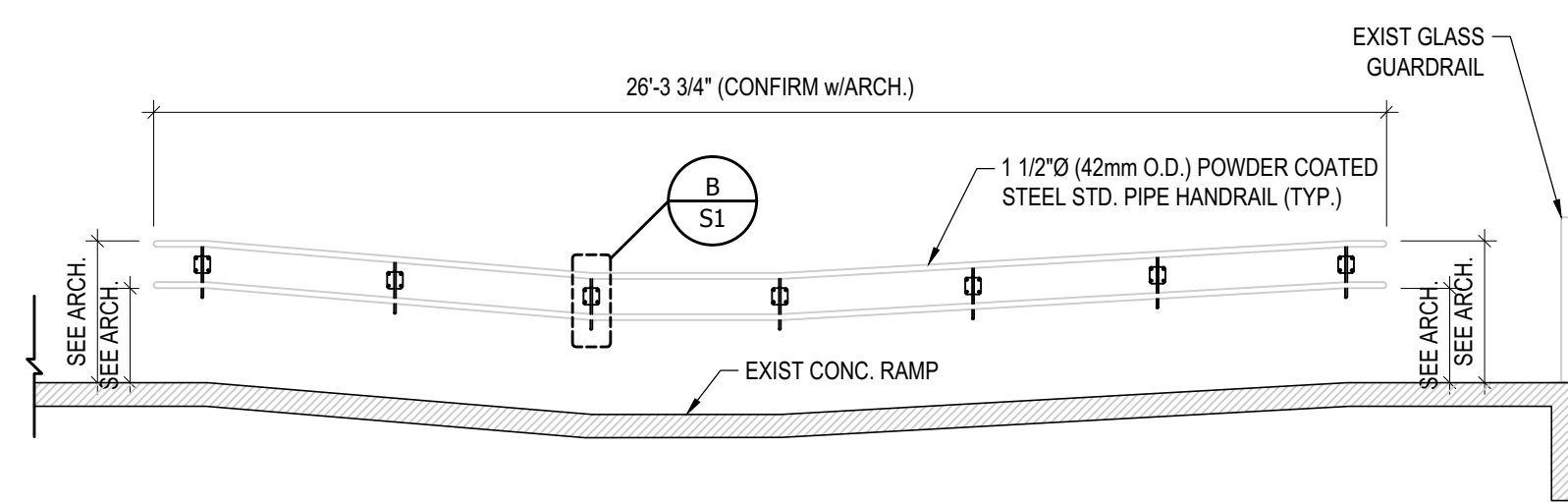
2 SECTION
S1 SCALE : 1/4"=1'-0"



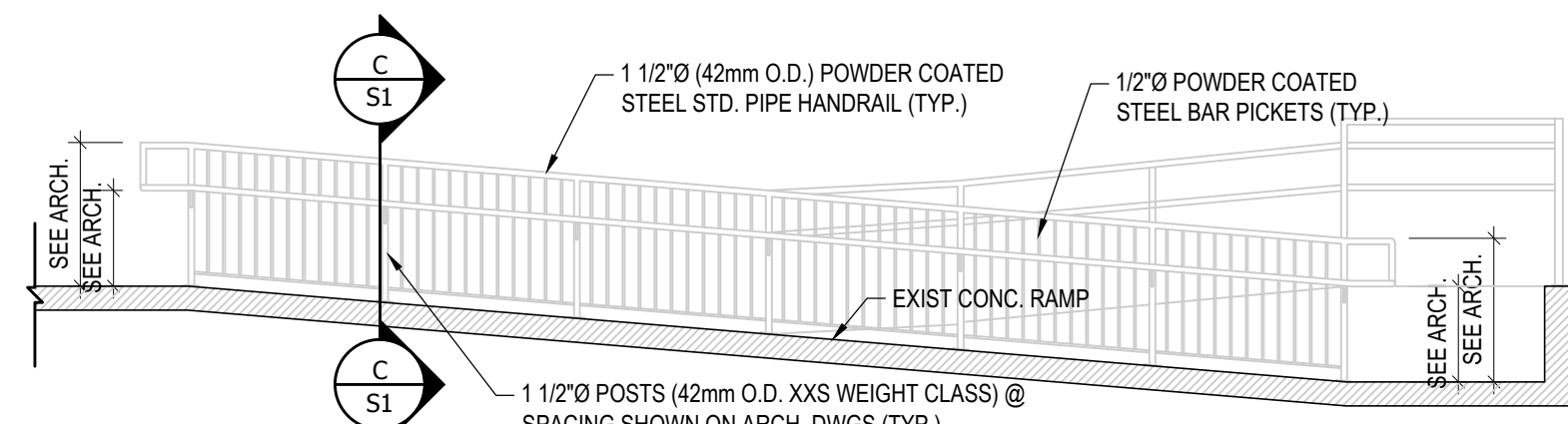
3 SECTION
S1 SCALE : 1/4"=1'-0"



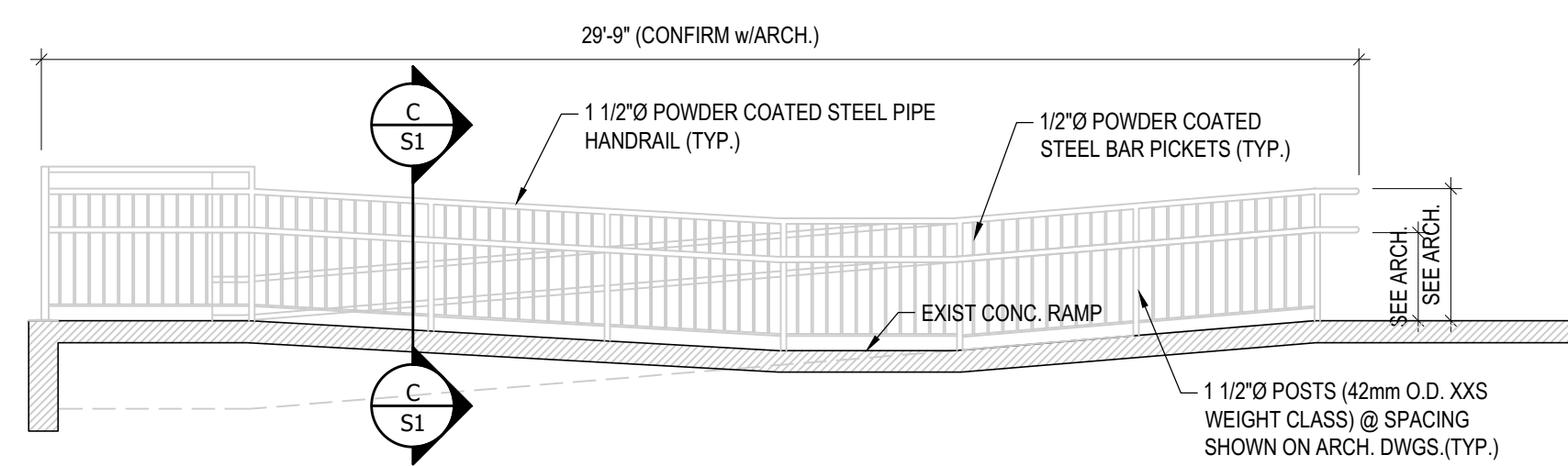
4 SECTION
S1 SCALE : 1/4"=1'-0"



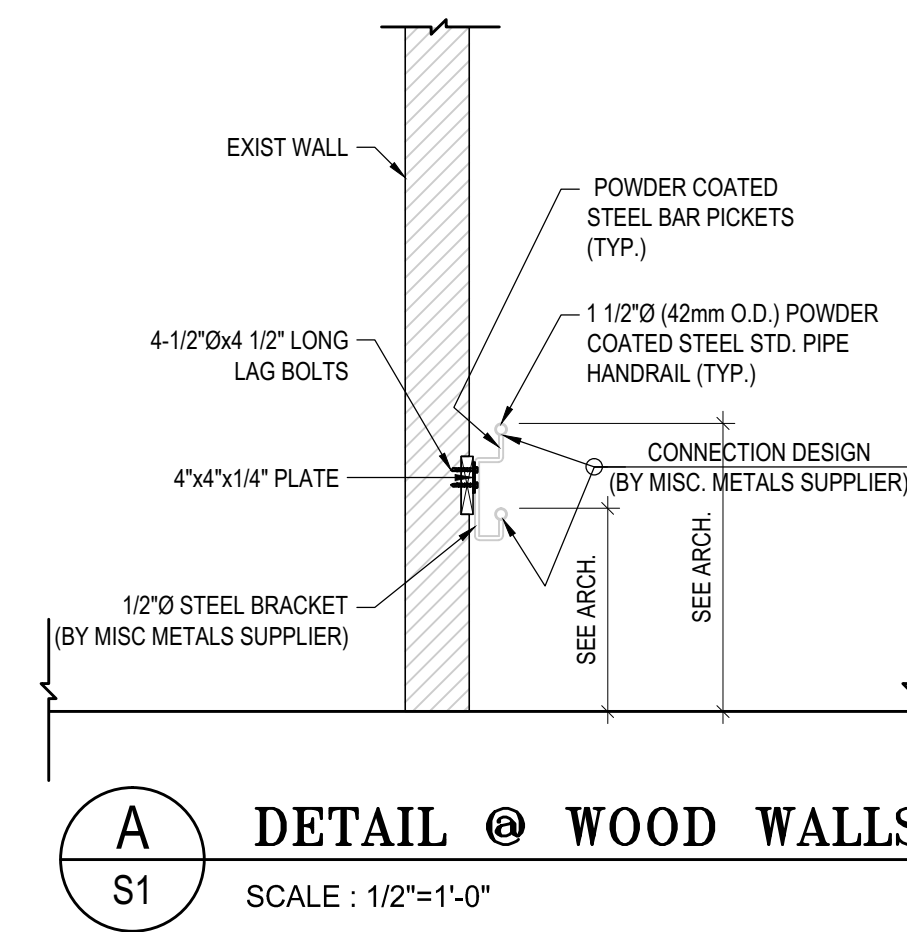
5 SECTION
S1 SCALE : 1/4"=1'-0"



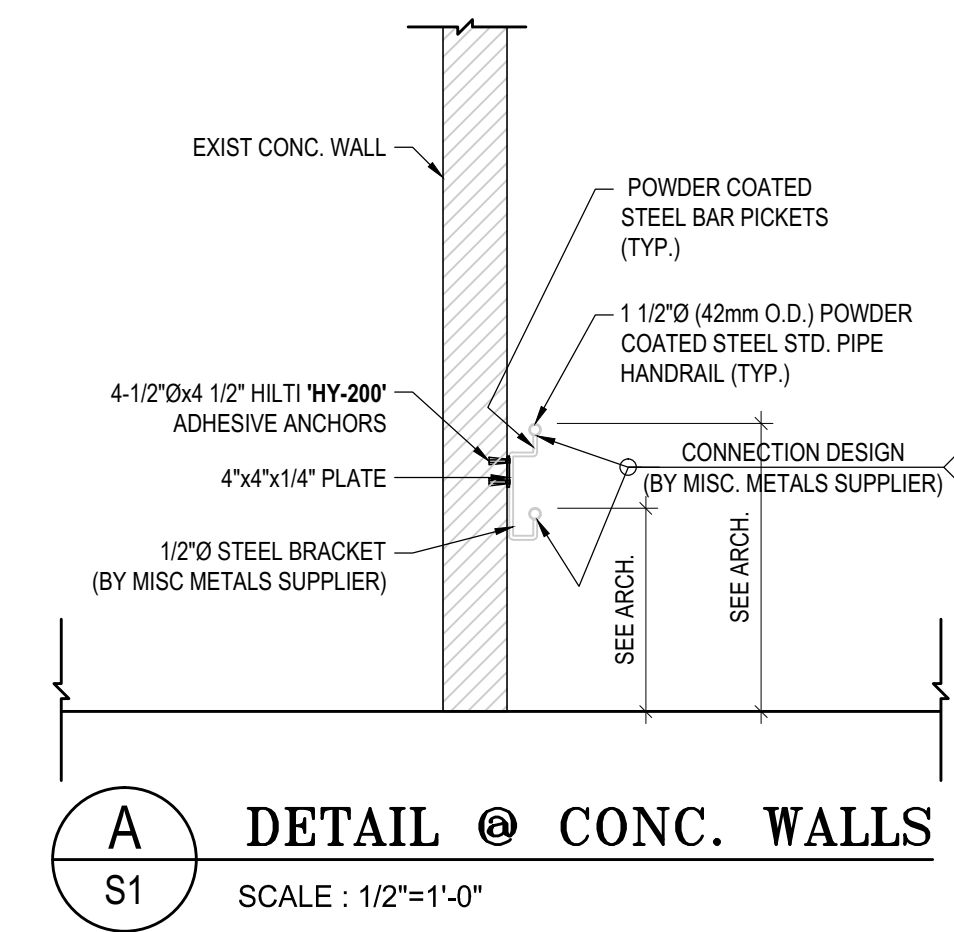
6 SECTION
S1 SCALE : 1/4"=1'-0"



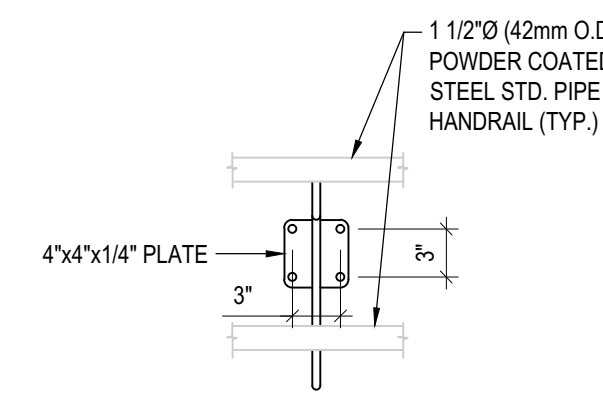
7 SECTION
S1 SCALE : 1/4"=1'-0"



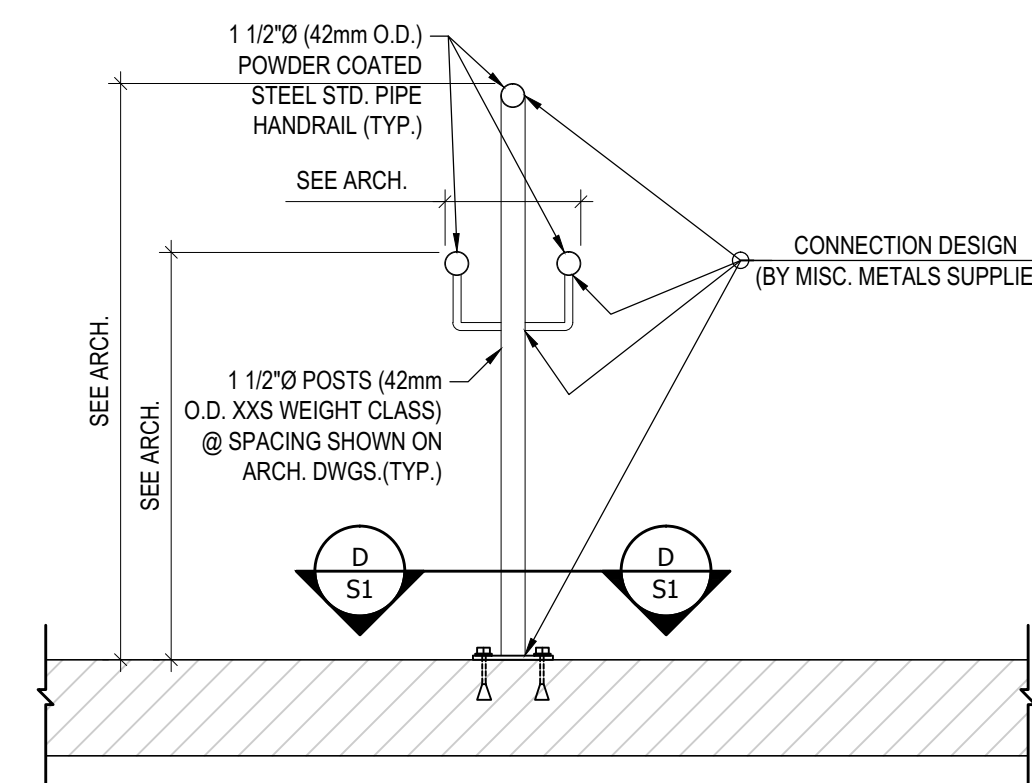
A DETAIL @ WOOD WALLS
S1 SCALE : 1/2"=1'-0"



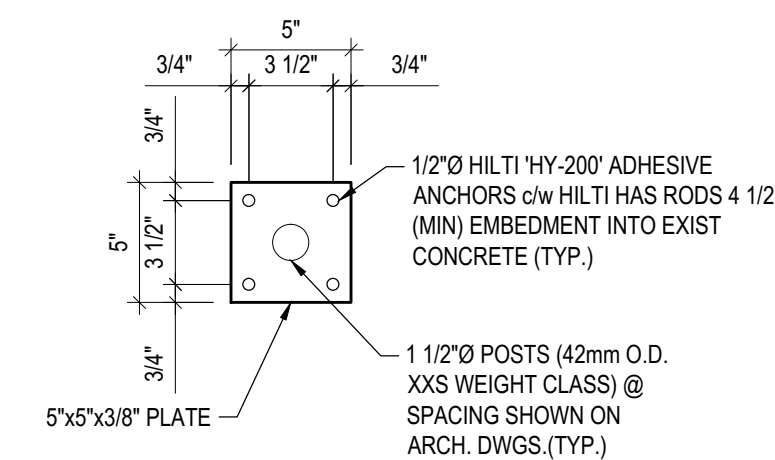
A DETAIL @ CONC. WALLS
S1 SCALE : 1/2"=1'-0"



B DETAIL
S1 SCALE : 1"=1'-0"



C DETAIL
S1 SCALE : 1"=1'-0"



D DETAIL
S1 SCALE : 1 1/2"=1'-0"

0	ISSUED FOR BID OPPORTUNITY	AUG 31, 2016	R.H.
REV	DESCRIPTION	DATE	BY

SEAL:

THIS DRAWING MUST NOT BE SCALED.
THE GENERAL CONTRACTOR SHALL VERIFY ALL DIMENSIONS, DATUMS AND LEVELS PRIOR TO COMMENCEMENT OF WORK AND IS HELD RESPONSIBLE FOR REPORTING ANY DISCREPANCY OR OMISSION TO NEIL COOPER ARCHITECT INC IMMEDIATELY.
THIS DRAWING IS THE EXCLUSIVE PROPERTY OF NEIL COOPER ARCHITECT INC AND CAN BE REPRODUCED ONLY WITH THE PERMISSION OF NEIL COOPER ARCHITECT INC, IN WHICH CASE THE REPRODUCTION MUST BEAR THEIR NAME AS THE ARCHITECTURAL FIRM.

DRAWING: **STAIR & RAMP DETAILS**

PROJECT: **PAN AM INDOOR POOL UPGRADES TO STAIR & RAMP HANDRAILS 25 POSEIDON BAY, WINNIPEG MB.**

Neil Cooper Architect Inc.
10-395 Berry Street, Winnipeg, Manitoba R3J 1N6

Beach Rocke ENGINEERING LTD.
Professional Engineering Services
1000 St. Mary's Road, Winnipeg, Manitoba R2M 1B9
Telephone: (204) 261-7211 Fax: (204) 267-2239
Website: www.beachrocke.ca

BID OPPORTUNITY No. 741-2016

DRAWN BY: MM	CHECKED BY: RH	SHEET NO:	REV NO:
DATE: 15 APR 2016		S11R0	
SCALE: AS NOTED			
FILE: 16-1196-CG-239			