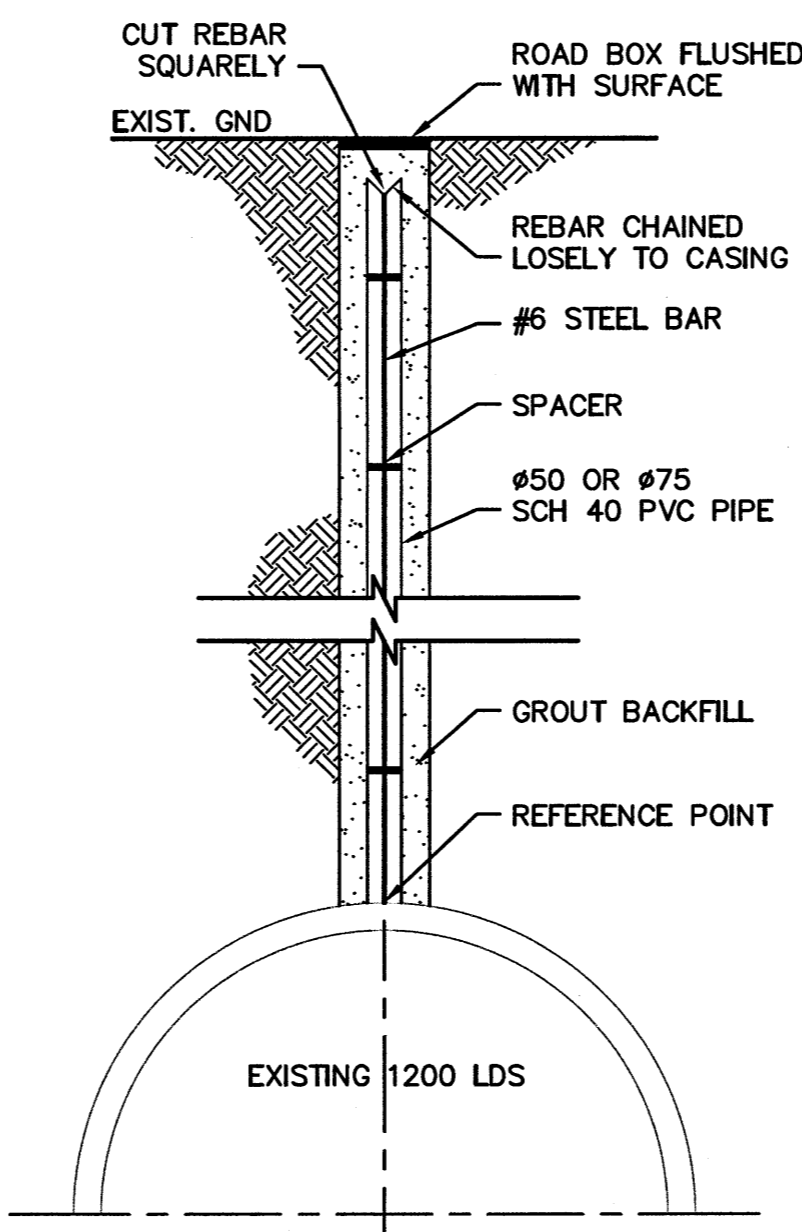
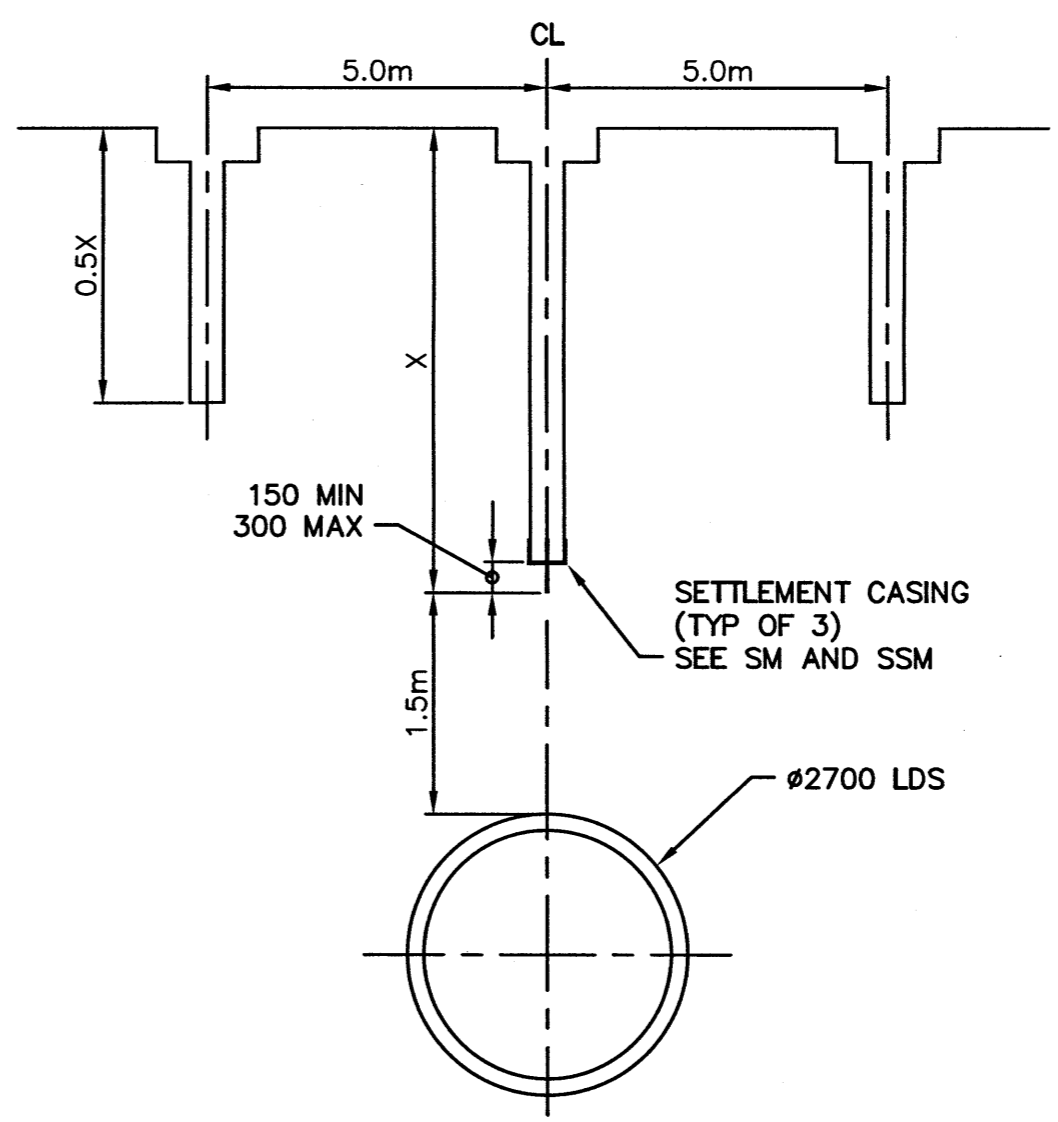


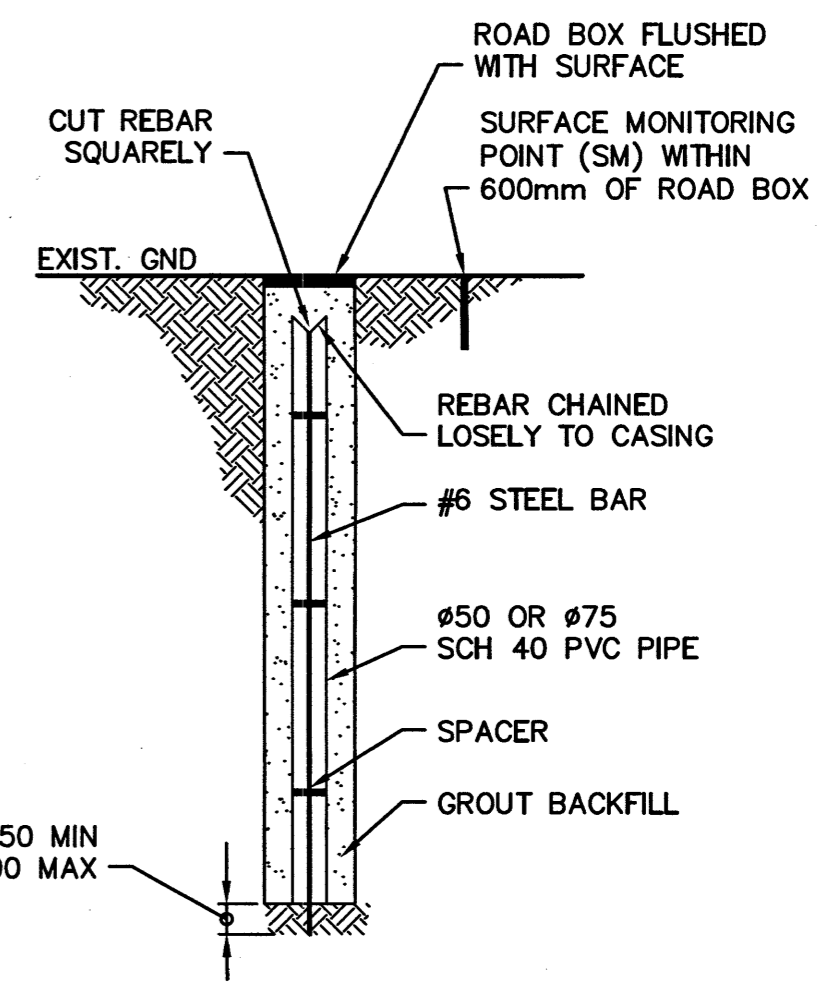
MH 31 PLAN



UTILITY SETTLEMENT MONITORING POINT

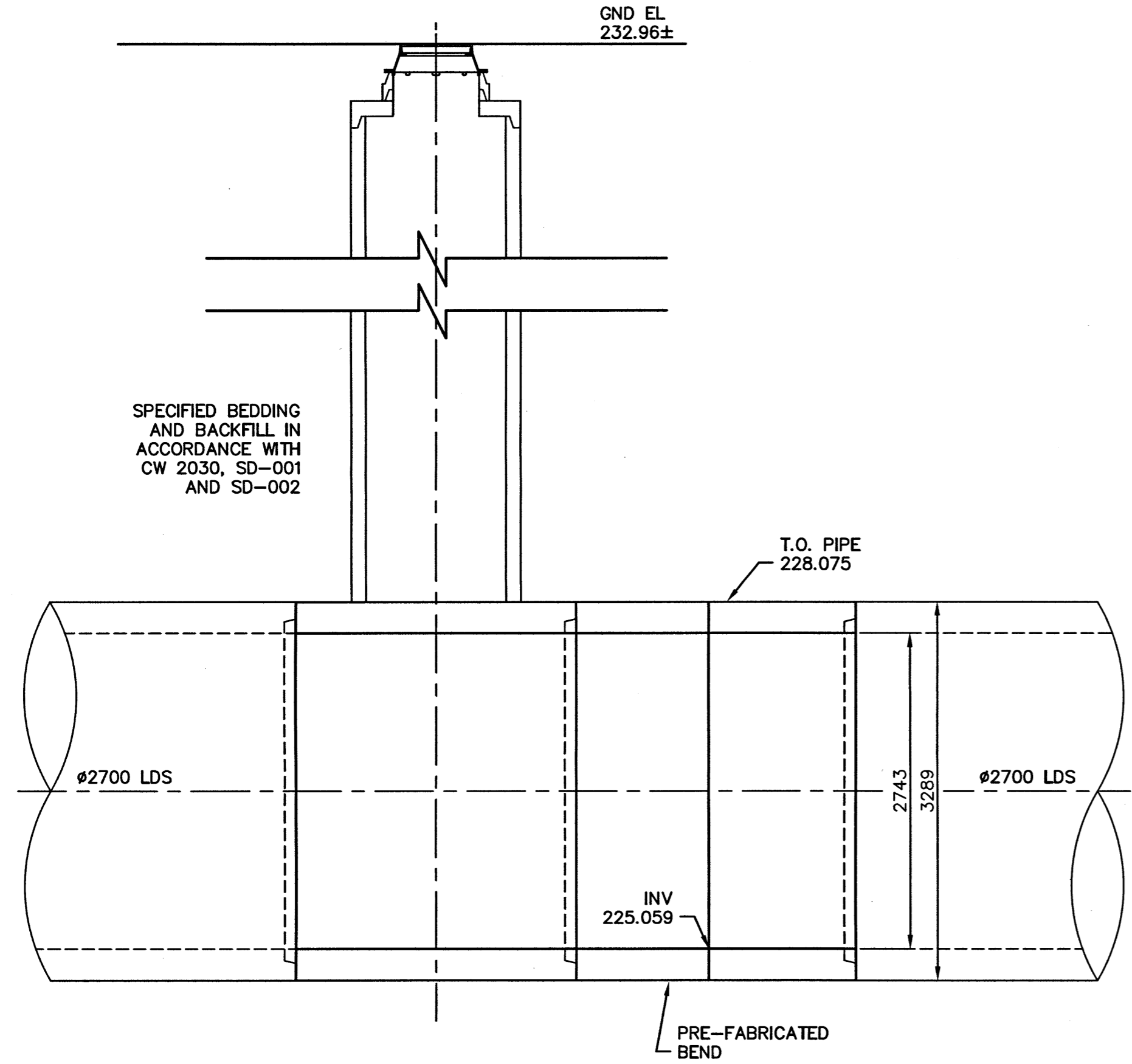


SURFACE AND SUBSURFACE MONITORING ARRAY

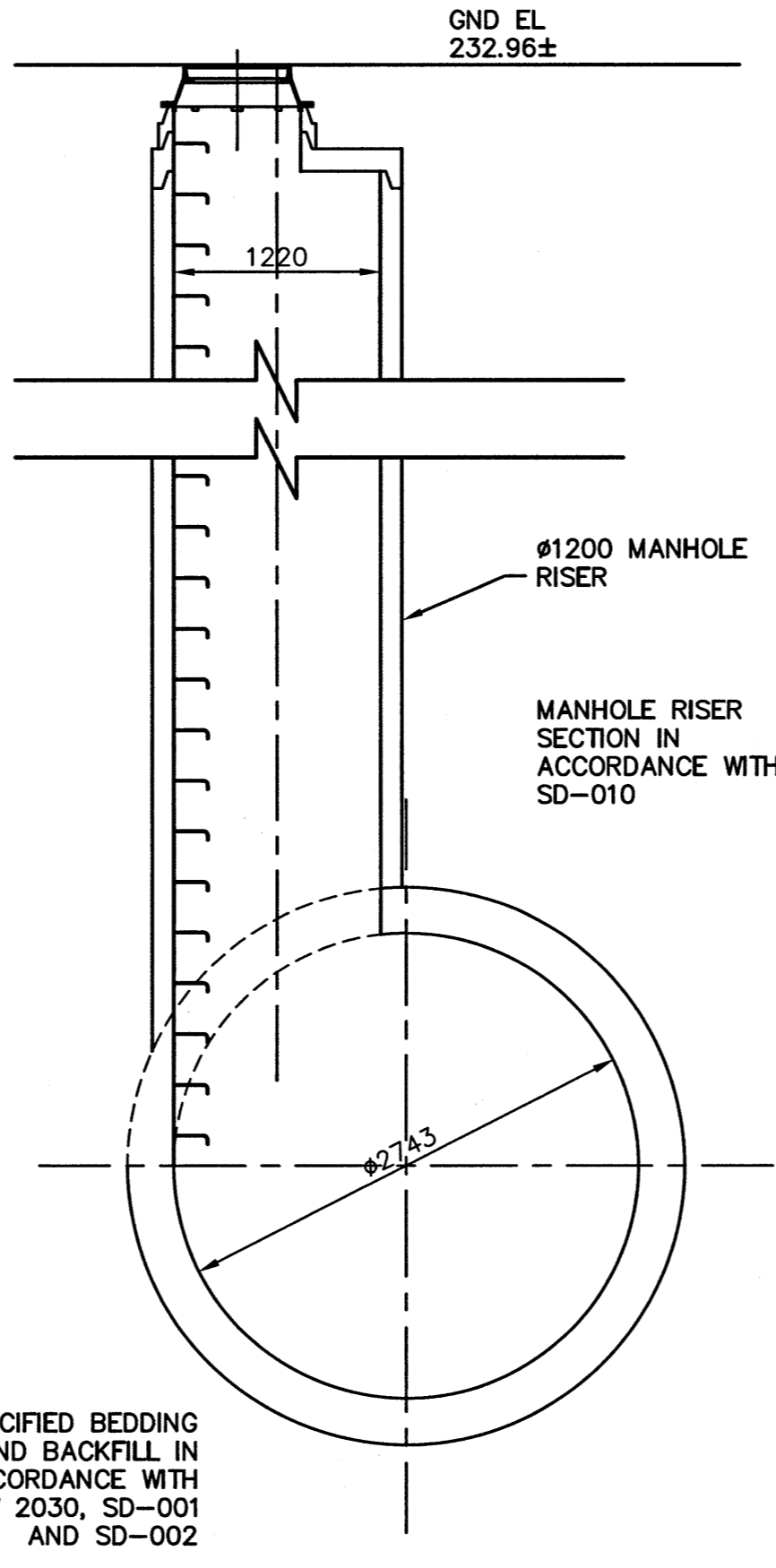


SURFACE AND SUBSURFACE MONITORING POINTS (SM AND SSM)

2 MONITORING POINT DETAILS
NTS

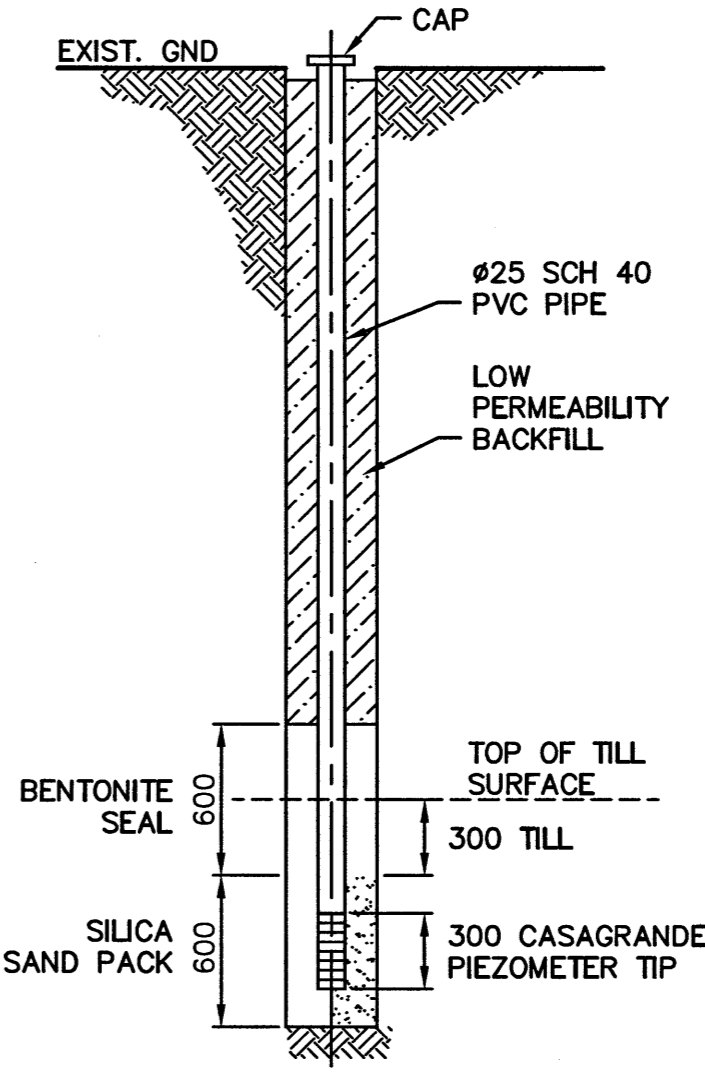


SECTION A



SECTION B

1 PIPE BEND WITH RISER TEE MH (MH 31)
1:40



- NOTES:
 1. INSTALL A PROTECTIVE COVER, EITHER FLUSH MOUNT OR ABOVE GRADE.
 2. SATURATE SAND PACE PRIOR TO INSTALLING BENTONITE SEAL.

3 STANDPIPE INSTALLATION DETAIL
NTS

APEGM
 Certificate of Authorization
 CH2M HILL Canada Ltd.
 No. 1441

File name: C:\pwworkdir\ch2mhill_wbg\correz\0204776\

| | | | | | | | | | | | | | | |
|----------|---------------------|----------|---------------|----------|---------------------|----------|--|--------------------|--------------------------------|---------------------------------|--|--|--|----------------------|
| 150 WM | WATER MAIN | 150 WM | HYDRO | 150 WM | WATER MAIN | 150 WM | LOCATION APPROVED UNDERGROUND STRUCTURES | B.M. ELEV. | KGS GROUP CONSULTING ENGINEERS | ch2m | ENGINEER'S SEAL PROVINCE OF MANITOBA 2017/01/08 E. J. SHARP REGISTERED PROFESSIONAL ENGINEER | THE CITY OF WINNIPEG WATER AND WASTE DEPARTMENT | PROJECT TITLE COCKBURN AND CALROSSIE COMBINED SEWER RELIEF WORKS - CONTRACT 4 RISER MANHOLE AND MONITORING POINT DETAILS | SHEET OF 11 OF 12 |
| 300 LDS | LAND DRAINAGE SEWER | 300 LDS | CONCRETE | 300 LDS | LAND DRAINAGE SEWER | 300 LDS | | | | | | | | |
| 250 WWS | WASTE WATER SEWER | 250 WWS | ASPHALT | 250 WWS | WASTE WATER SEWER | 250 WWS | NOTE: LOCATION OF UNDERGROUND STRUCTURES AS SHOWN ARE BASED ON THE BEST INFORMATION AVAILABLE BUT NO GUARANTEE IS GIVEN THAT ALL EXISTING UTILITIES ARE SHOWN OR THAT THE GIVEN LOCATIONS ARE EXACT. CONFIRMATION OF EXISTENCE AND EXACT LOCATION OF ALL SERVICES MUST BE OBTAINED FROM THE INDIVIDUAL UTILITIES BEFORE PROCEEDING WITH CONSTRUCTION. | DESIGNED BY SDG | CHECKED BY MD | CONSULTANT DRAWING NO. C-502 | CITY DRAWING NUMBER LD-7897 | | | |
| 300 LDS | LAND DRAINAGE SEWER | 300 LDS | SIDEWALK | 300 LDS | LAND DRAINAGE SEWER | 300 LDS | DATE | DATE | DATE | DATE | | | | |
| 250 WWS | WASTE WATER SEWER | 250 WWS | PLANNING | 250 WWS | WASTE WATER SEWER | 250 WWS | NO. REVISIONS | DATE | BY | DATE | | | | |
| 150 WM | WATER MAIN | 150 WM | PROPERTY LINE | 150 WM | WATER MAIN | 150 WM | | | | | | | | |
| 300 LDS | LAND DRAINAGE SEWER | 300 LDS | SURVEY BAR | 300 LDS | LAND DRAINAGE SEWER | 300 LDS | | | | | | | | |
| 250 WWS | WASTE WATER SEWER | 250 WWS | GAS | 250 WWS | WASTE WATER SEWER | 250 WWS | | | | | | | | |
| EXISTING | LEGEND-PLAN | PROPOSED | CURB STOP | EXISTING | LEGEND-PROFILE | PROPOSED | | | | | | | | |
| | | | TEE | | | | | | | | | | | |