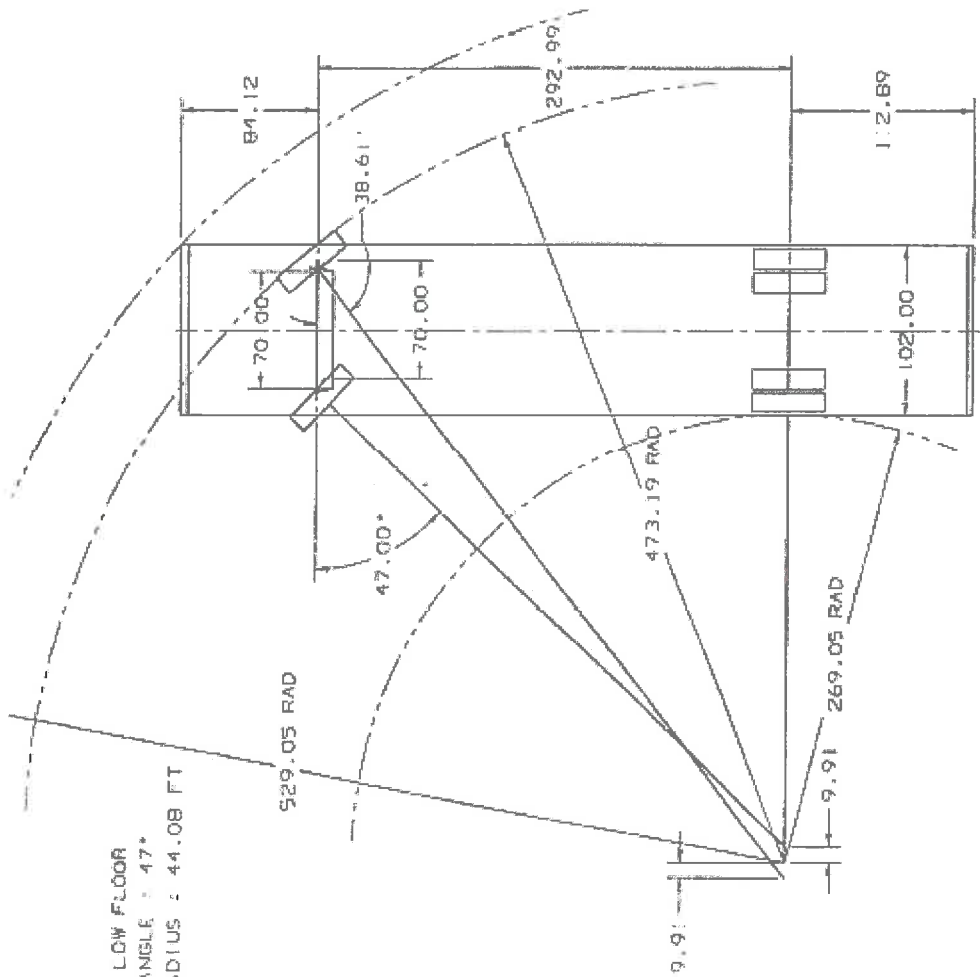
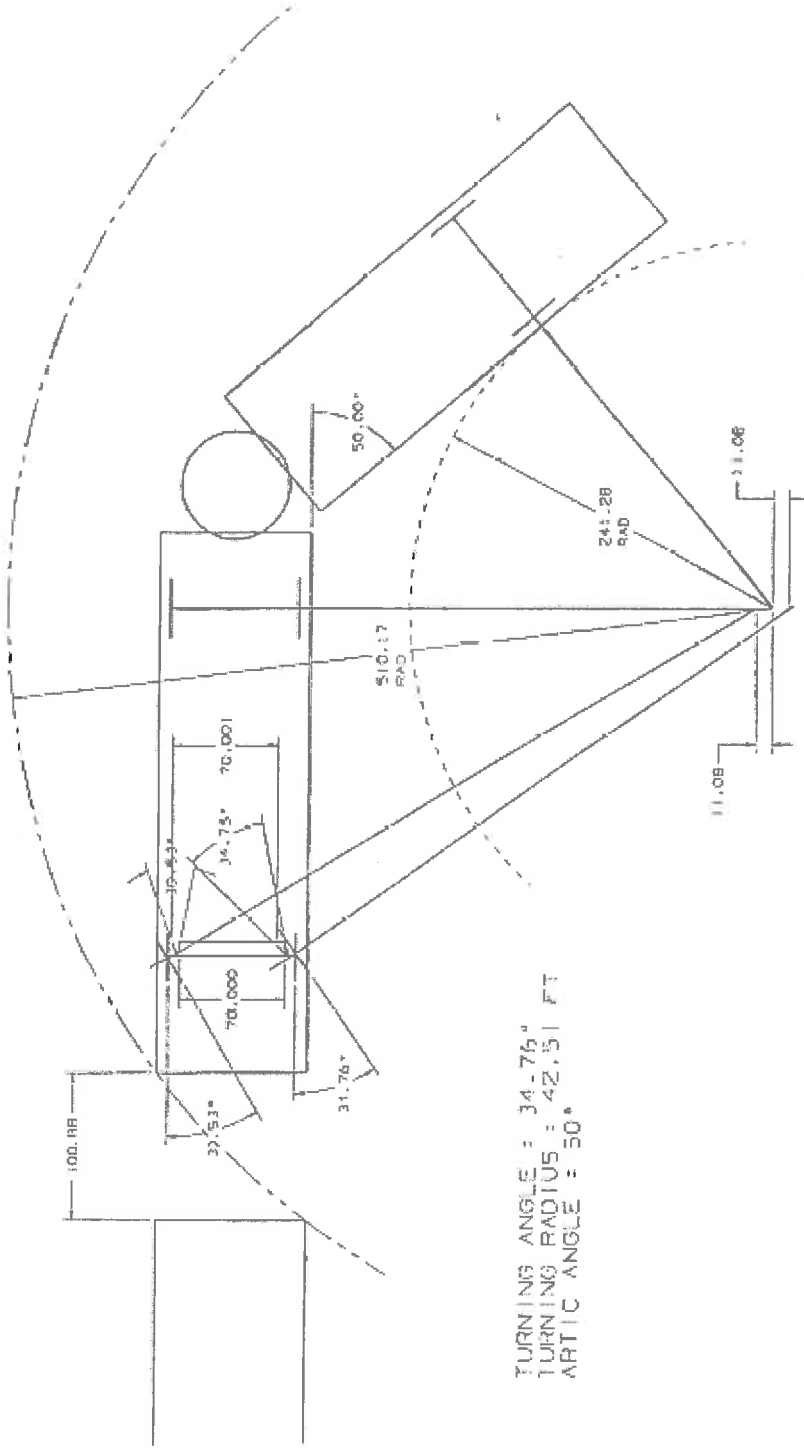


**Turning Envelope For Model D40**



60 FT LOW FLOOR ARTIC



TURNING ANGLE :  $34.765^\circ$   
TURNING RADIUS : 42.51 FT  
ARTIC ANGLE :  $50^\circ$

<b>Length (over bumpers)</b>	<b>60.7 ft. (18.5 m)</b>
<b>Width</b>	<b>8.5 ft. (2.6 m)</b>
<b>Height</b>	<b>9.2 ft. (2.8 m)</b>
<b>Wheelbase</b>	<b>25.5 ft. (7.8 m)</b>
<b>Turning Radius</b>	<b>42.5 ft. (12.9 m)</b>
<b>Pivot Angle</b>	<b>50°</b>

Length (over bumpers)	41 ft. (12.5 m)
Width	8.5 ft. (2.6 m)
Height	10.5 ft. (3.2 m)
Wheelbase	23.6 ft. (7.2 m)
Turning Radius	43 ft. (13.1 m)
Approach/Departure Angle	9°
Vehicle Weight (approx.)	27,600 lbs. (12,523 kg)
Gross Vehicle Weight Rating (GVWR)	43,640 lbs. (19,795 kg)