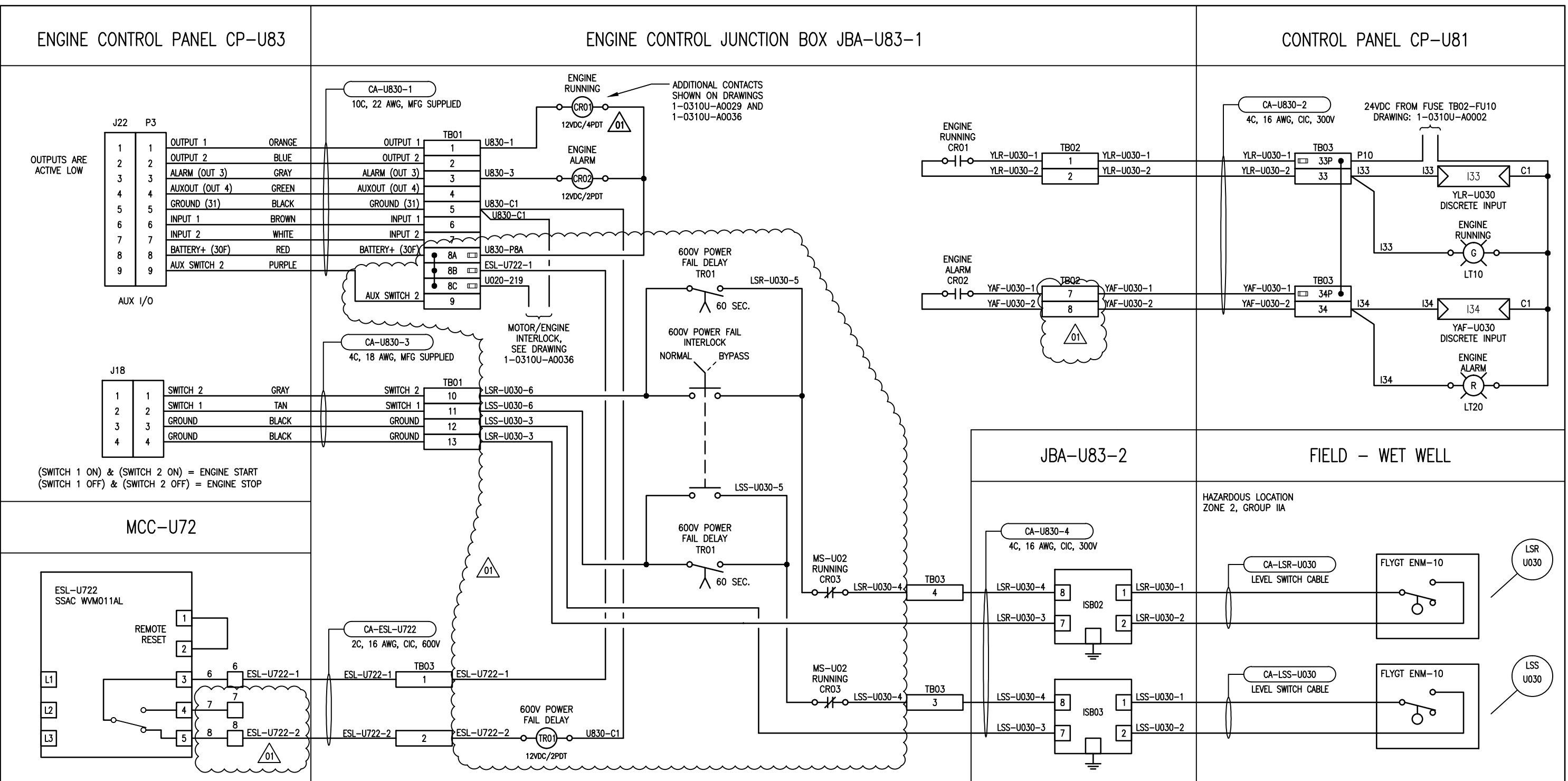


LAST SAVE: 2016/09/12 - 2:33pm
 PATH: M:\634683\4ENG\48&C\DD - General DWG\1-0310U-A0034-001-01.dwg
 B SIZE - 279mm x 432mm



SNC-LAVALIN INC.
 148 Nature Park Way
 Winnipeg, MB, Canada R3P 0X7
 204-786-8080

ENGINEER'S SEAL

ORIGINAL DRAWING
 SEALED BY:
 B. J. CLEVEN
 SNC-LAVALIN INC.
 MEMBER # 31479
 2016-09-12
 REV. 01



THE CITY OF WINNIPEG
 WATER AND WASTE DEPARTMENT

ROUTE 90 UNDERPASS PUMPING STATION
 2016 UPGRADES
 LOOP DIAGRAM
 ENGINE ENG-U03 STATUS AND CONTROL

NO.	REVISIONS	DATE	DESIGN	CHECK
01	REVISED INTERNAL WIRING	2016/09/12	BJC	FA
00	ISSUED FOR TENDER, BID OPP. 767-2016	2016/08/23	BJC	FA

DESIGNED BY: B. CLEVEN	CHECKED BY: F. ATAEI
DRAWN BY: Y. KONIG	APPROVED BY: I. PARKINSON
SCALE: NTS	DATE: 2016/07/05
ISSUED FOR CONSTRUCTION DATE: 2016-08-29	
BY: K. ZUREK	
CONSULTANT NO.:	

CITY DRAWING NUMBER 1-0310U-A0034	SHEET 001	REV. 01	SIZE B
--------------------------------------	--------------	------------	-----------