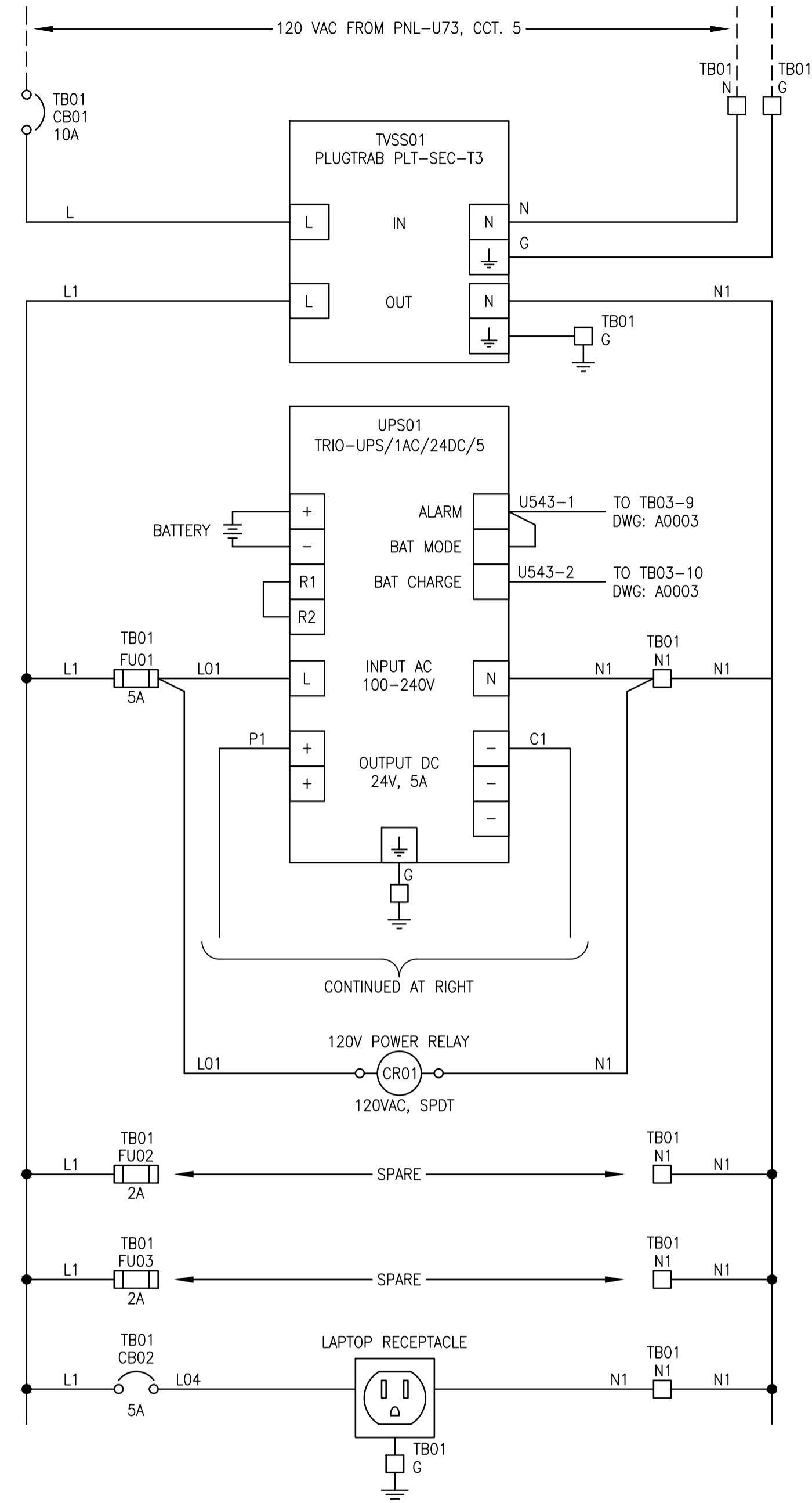


SCHEMATIC:

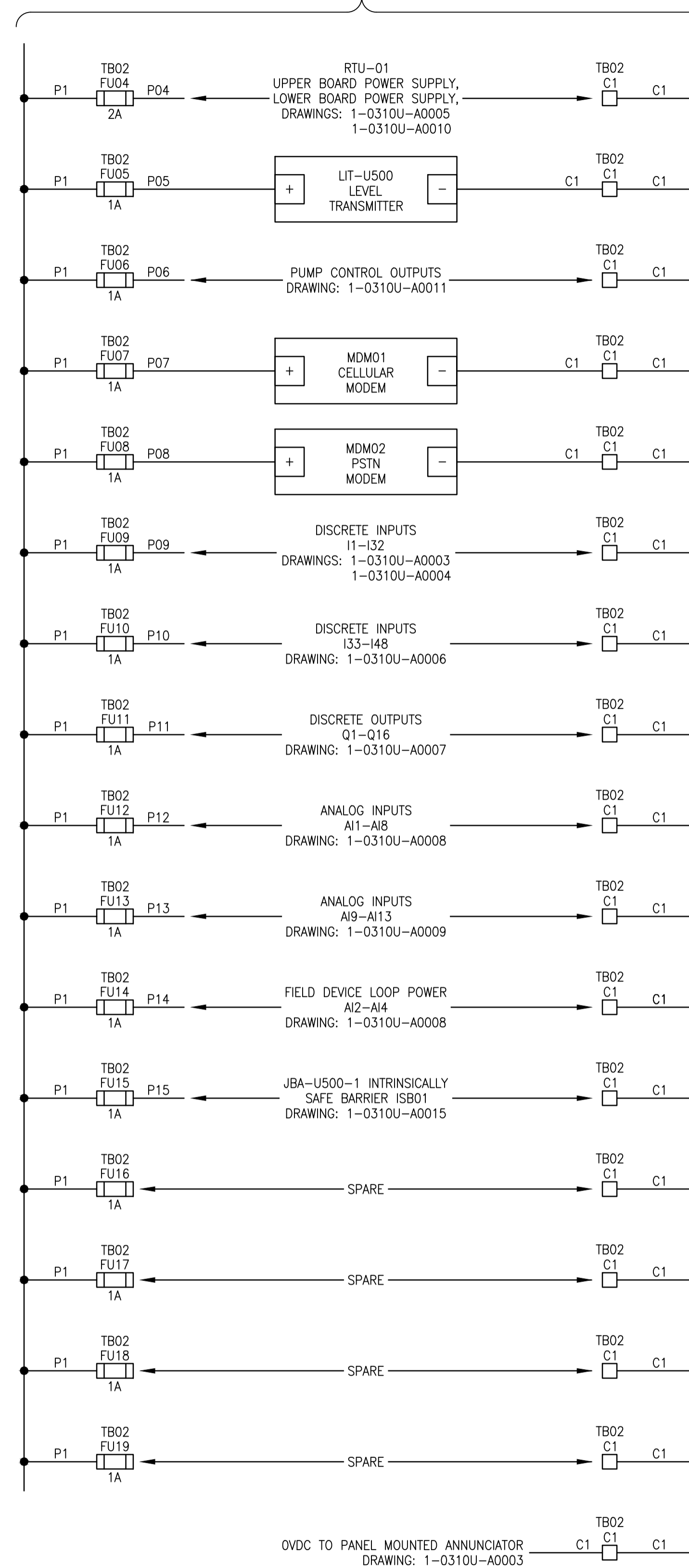


NOTES:

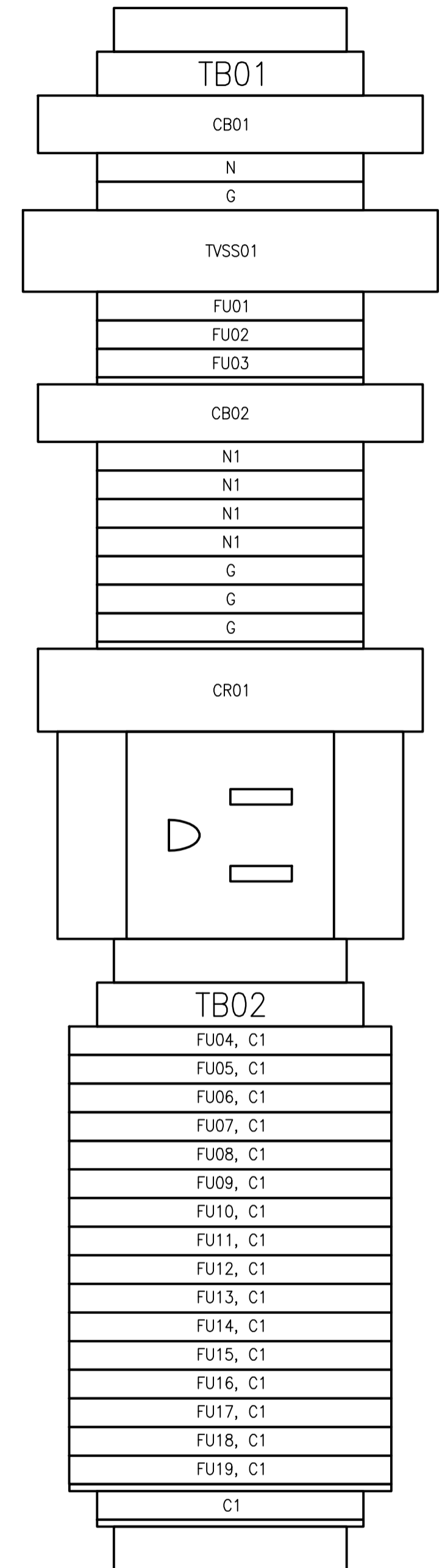
1. ALL 120VAC POWER WIRING TO BE A MINIMUM OF 14 AWG UNLESS OTHERWISE INDICATED.
2. ALL 24VDC POWER WIRING TO BE A MINIMUM OF 12 AWG UNLESS OTHERWISE INDICATED.



24VDC FROM UPS01



TERMINAL LAYOUT:



DRAWING NUMBER	REFERENCE DRAWINGS
----------------	--------------------

00	ISSUED FOR TENDER, BID OPP. 767-2016	2016/08/23	BJC	FA
NO.	REVISIONS	DATE	DESIGN	CHECK

<p>SNC-LAVALIN INC. 148 Nature Park Way Winnipeg, MB, Canada R3P 0X7 204-786-8080</p>	
DESIGNED BY: B. CLEVEN	CHECKED BY: F. ATAEI
DRAWN BY: Y. KONIG	APPROVED BY: I. PARKINSON
SCALE: NTS	ISSUED FOR CONSTRUCTION BY: K. ZUREK
DATE: 2016/03/23	DATE: 2016-08-29
CONSULTANT NO.:	

ENGINEER'S SEAL

ORIGINAL DRAWING
 SEALED BY:
 B. J. CLEVEN
 SNC-LAVALIN INC.
 MEMBER #31479
 2016-08-29
 REV. 00

<p>THE CITY OF WINNIPEG WATER AND WASTE DEPARTMENT</p>	
ROUTE 90 UNDERPASS PUMPING STATION 2016 UPGRADES POWER DISTRIBUTION CONTROL PANEL CP-U81	
CITY DRAWING NUMBER	SHEET REV. SIZE
1-0310U-A0002	001 00 A1