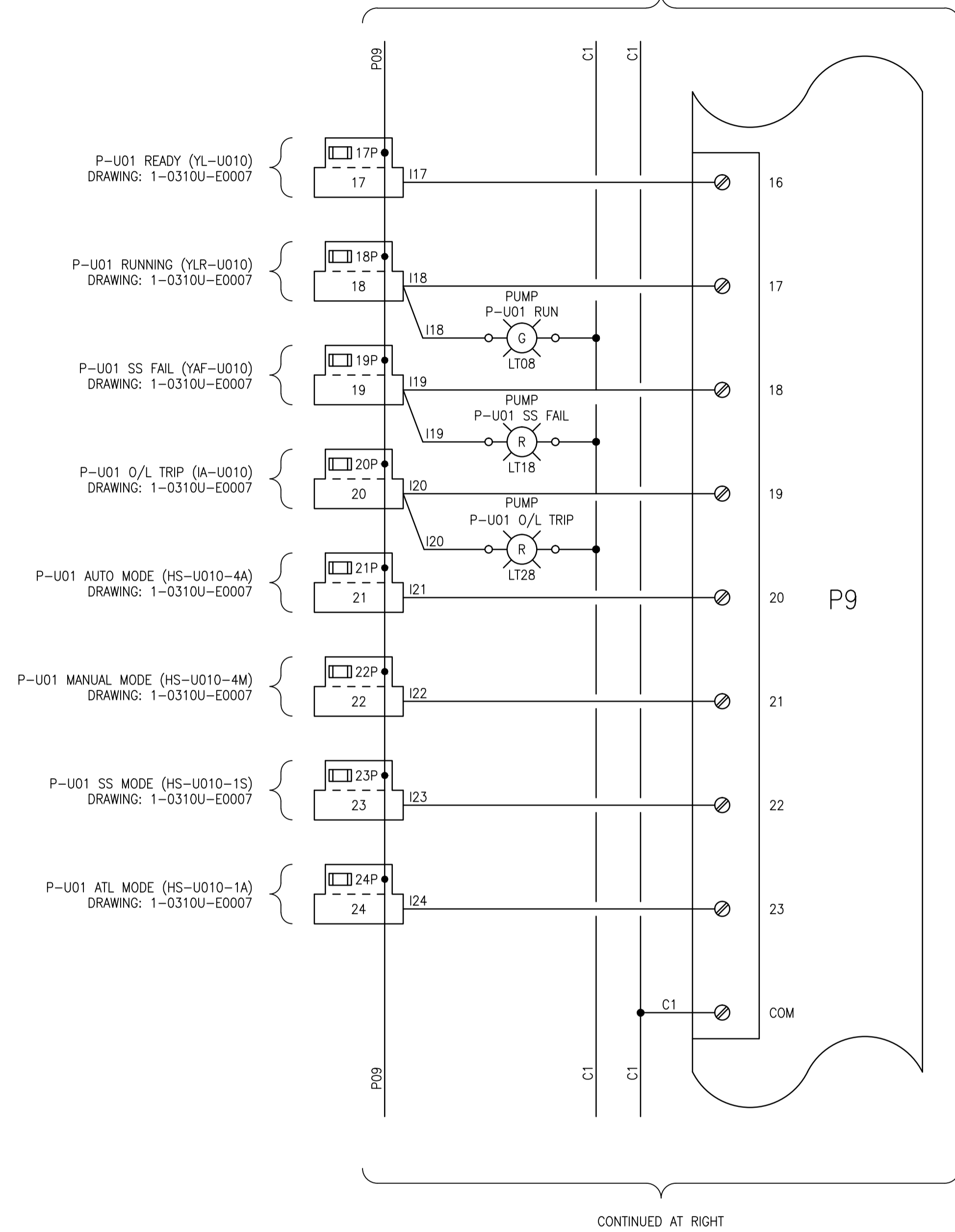


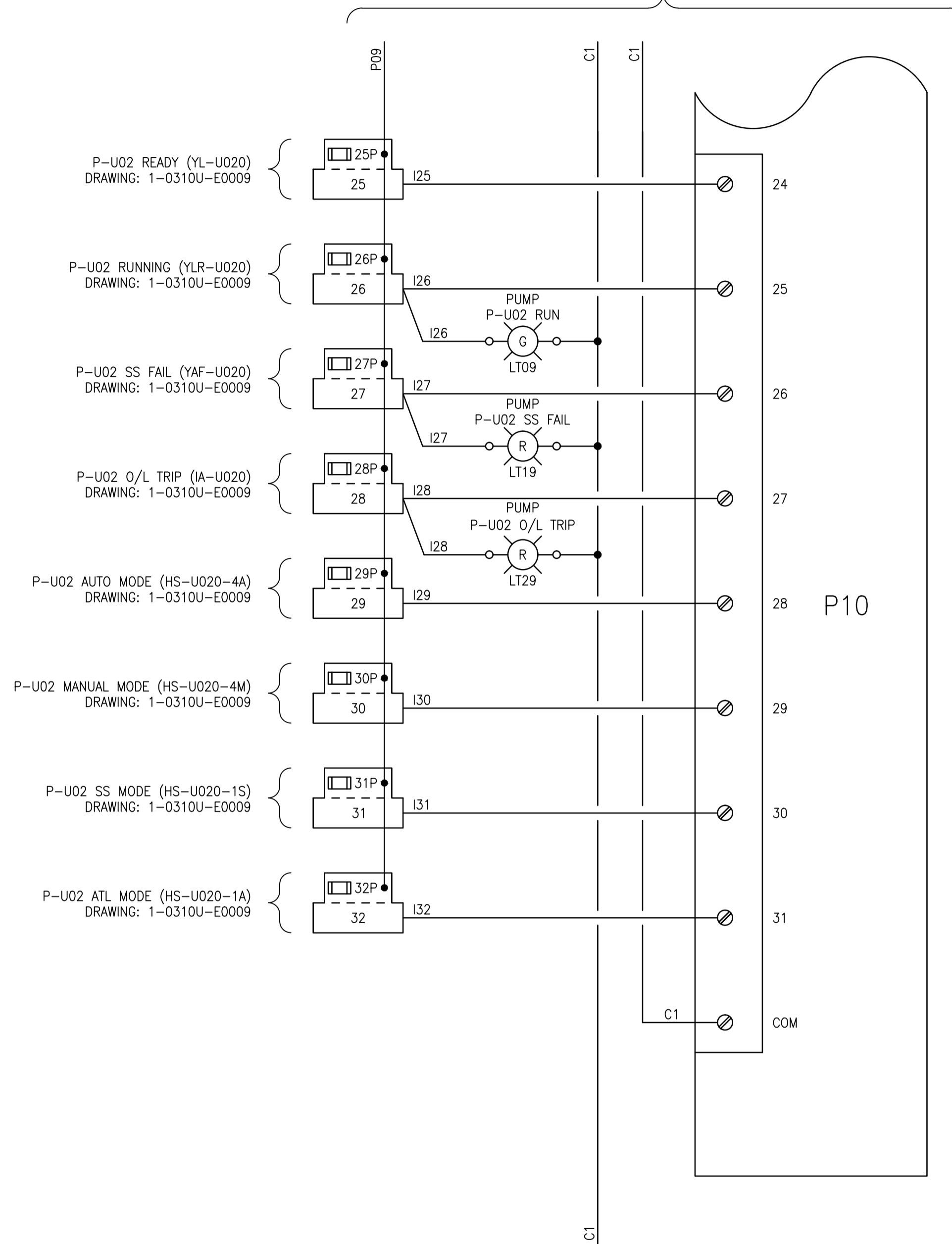
TB03  
24VDC DISCRETE INPUT

CONTINUED FROM DRAWING 1-0310U-A0003



CONTINUED AT RIGHT

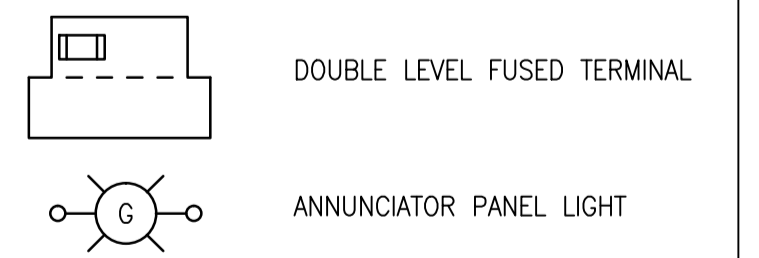
CONTINUED FROM LEFT



CONTINUED ON DRAWING  
1-0310U-A0006

FUSE SCHEDULE			
TB	IDENTIFIER	SIZE	RATED CURRENT (A)
TB03	17P	5x20mm	0.2
	18P	5x20mm	0.2
	19P	5x20mm	0.2
	20P	5x20mm	0.2
	21P	5x20mm	0.2
	22P	5x20mm	0.2
	23P	5x20mm	0.2
	24P	5x20mm	0.2
	25P	5x20mm	0.2
	26P	5x20mm	0.2
	27P	5x20mm	0.2
	28P	5x20mm	0.2
	29P	5x20mm	0.2
	30P	5x20mm	0.2
	31P	5x20mm	0.2
	32P	5x20mm	0.2

LEGEND:



DRAWING NUMBER	REFERENCE DRAWINGS



NO.	REVISIONS	DATE	DESIGN	CHECK
00	ISSUED FOR TENDER, BID OPP. 767-2016	2016/08/23	BJC	FA

**SNC-LAVALIN INC.**  
148 Nature Park Way  
Winnipeg, MB, Canada R3P 0X7  
204-786-8080

DESIGNED BY: B. CLEVEN  
DRAWN BY: Y. KONIG  
SCALE: NTS  
DATE: 2016/03/23  
CONSULTANT NO.:

CHECKED BY: F. ATAËI  
APPROVED BY: I. PARKINSON  
ISSUED FOR CONSTRUCTION BY: K. ZUREK  
DATE: 2016-08-29

ENGINEER'S SEAL  
ORIGINAL DRAWING  
SEALED BY:  
B. J. CLEVEN  
SNC-LAVALIN INC.  
MEMBER #31479  
2016-08-29  
REV. 00

**THE CITY OF WINNIPEG**  
WATER AND WASTE DEPARTMENT

ROUTE 90 UNDERPASS PUMPING STATION  
2016 UPGRADES  
RTU I/O WIRING DIAGRAM  
CONTROL PANEL CP-U81  
DISCRETE INPUTS I17-I32

CITY DRAWING NUMBER: 1-0310U-A0004  
SHEET: 001  
REV: 00  
SIZE: A1