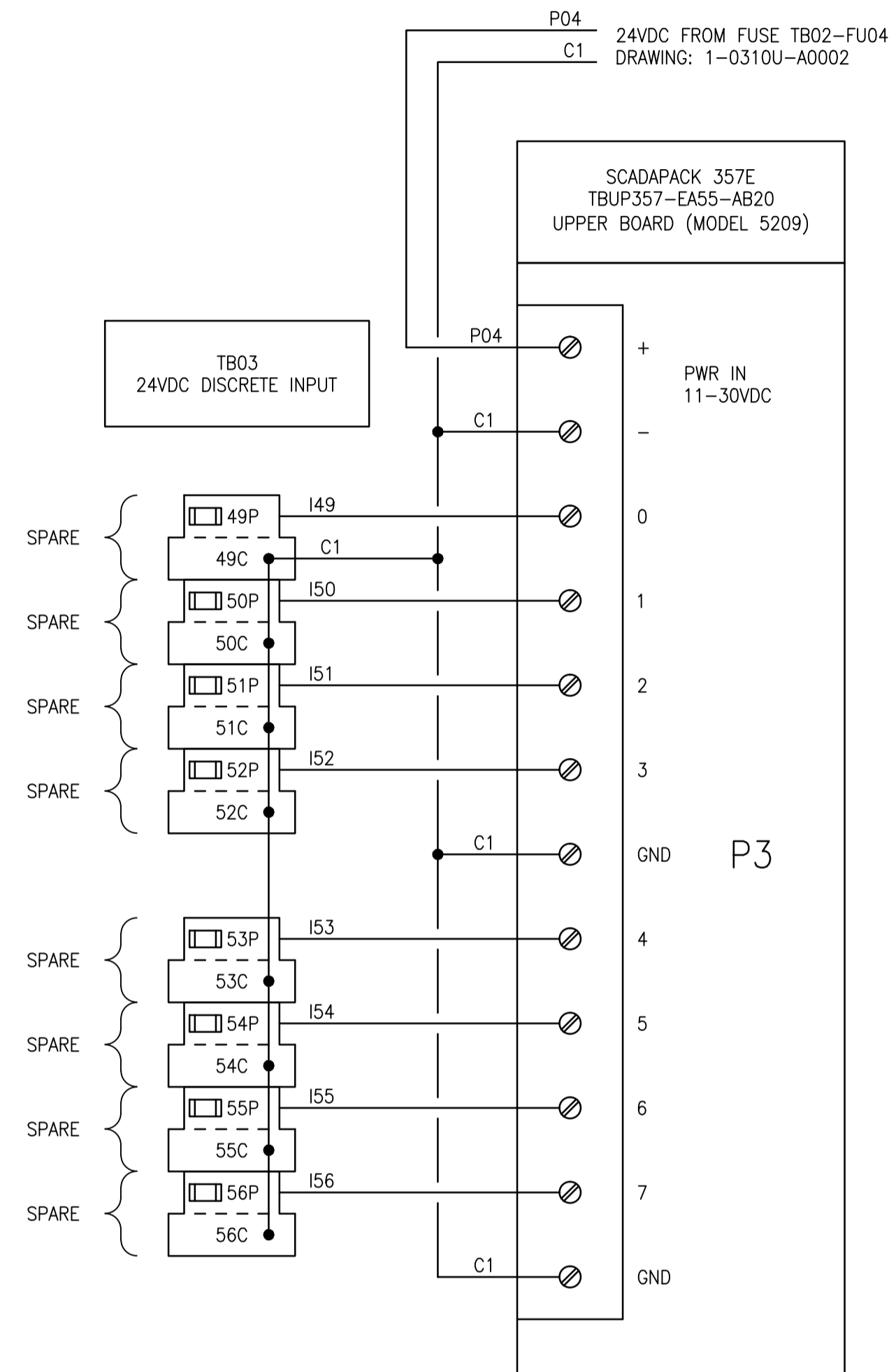
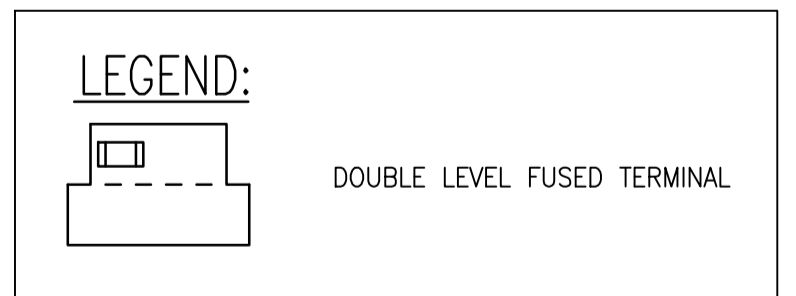


FUSE SCHEDULE			
TB	IDENTIFIER	SIZE	RATED CURRENT (A)
TB03	49P	5x20mm	0.2
	50P	5x20mm	0.2
	51P	5x20mm	0.2
	52P	5x20mm	0.2
	53P	5x20mm	0.2
	54P	5x20mm	0.2
	55P	5x20mm	0.2
	56P	5x20mm	0.2



NOTE: THE DISCRETE INPUTS ON THE UPPER BOARD CONNECTOR P3 ARE SOURCING INPUTS.  
 THE SCADAPACK 357 SOURCES APPROXIMATELY 5mA WETTING CURRENT OUT OF EACH INPUT.



DRAWING NUMBER	REFERENCE DRAWINGS
----------------	--------------------



NO.	REVISIONS	DATE	DESIGN	CHECK
00	ISSUED FOR TENDER, BID OPP. 767-2016	2016/08/23	BJC	FA

**SNC-LAVALIN INC.**  
 148 Nature Park Way  
 Winnipeg, MB, Canada R3P 0X7  
 204-786-8080

DESIGNED BY: B. CLEVEN  
 DRAWN BY: Y. KONIG  
 SCALE: NTS  
 DATE: 2016/03/23

CHECKED BY: F. ATAËI  
 APPROVED BY: I. PARKINSON  
 ISSUED FOR CONSTRUCTION BY: K. ZUREK  
 DATE: 2016-08-29

CONSULTANT NO.:

ENGINEER'S SEAL

ORIGINAL DRAWING  
 SEALED BY:  
 B. J. CLEVEN  
 SNC-LAVALIN INC.  
 MEMBER # 31479  
 2016-08-29  
 REV. 00

**THE CITY OF WINNIPEG**  
 WATER AND WASTE DEPARTMENT

ROUTE 90 UNDERPASS PUMPING STATION  
 2016 UPGRADES  
 RTU I/O WIRING DIAGRAM  
 CONTROL PANEL CP-U81  
 DISCRETE INPUTS I49-I56

CITY DRAWING NUMBER: 1-0310U-A0005  
 SHEET: 001  
 REV: 00  
 SIZE: A1