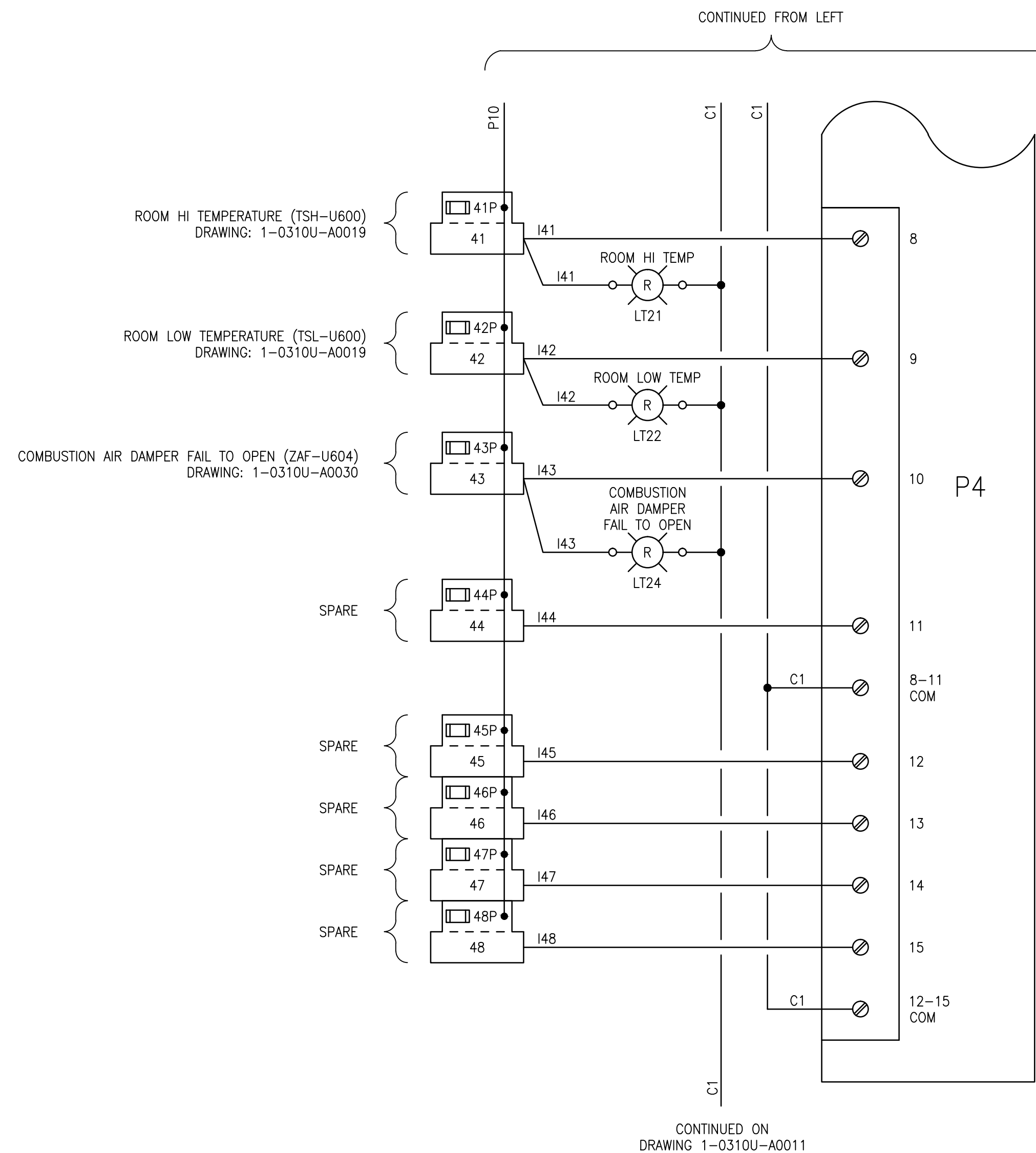
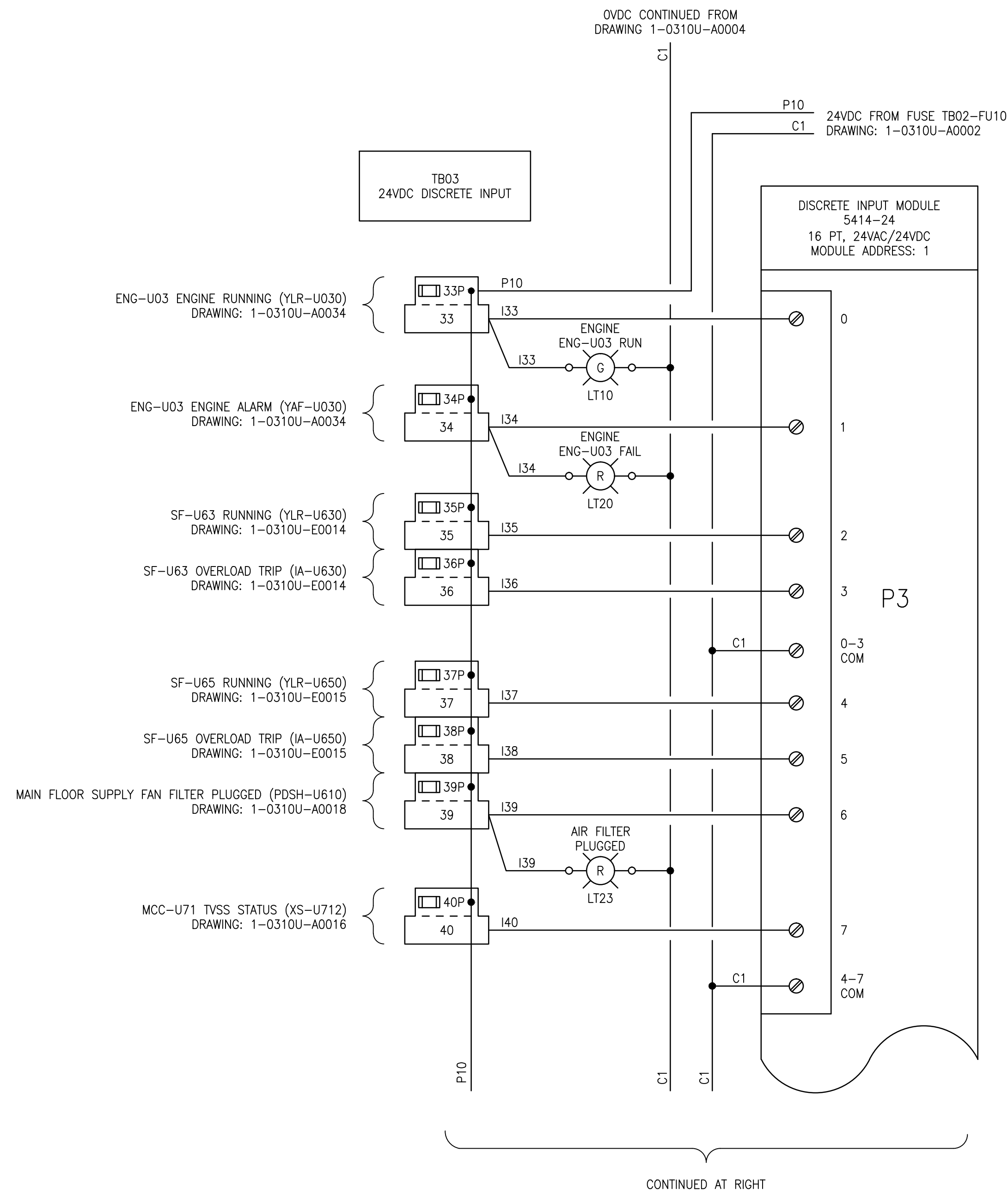
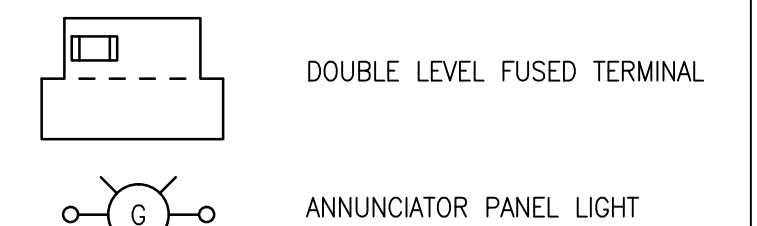


FUSE SCHEDULE

TB	IDENTIFIER	SIZE	RATED CURRENT (A)
TB03	33P	5x20mm	0.2
	34P	5x20mm	0.2
	35P	5x20mm	0.2
	36P	5x20mm	0.2
	37P	5x20mm	0.2
	38P	5x20mm	0.2
	39P	5x20mm	0.2
	40P	5x20mm	0.2
	41P	5x20mm	0.2
	42P	5x20mm	0.2
	43P	5x20mm	0.2
	44P	5x20mm	0.2
	45P	5x20mm	0.2
	46P	5x20mm	0.2
	47P	5x20mm	0.2
	48P	5x20mm	0.2



LEGEND:



DRAWING NUMBER	REFERENCE DRAWINGS



NO.	REVISIONS	DATE	DESIGN	CHECK
00	ISSUED FOR TENDER, BID OPP. 767-2016	2016/08/23	BJC	FA

SNC-LAVALIN INC.
 148 Nature Park Way
 Winnipeg, MB, Canada R3P 0X7
 204-786-8080

DESIGNED BY: B. CLEVEN
 CHECKED BY: F. ATAEI
 DRAWN BY: Y. KONIG
 APPROVED BY: I. PARKINSON
 SCALE: NTS
 ISSUED FOR CONSTRUCTION BY: K. ZUREK
 DATE: 2016/03/23
 DATE: 2016-08-29

CONSULTANT NO.:

ENGINEER'S SEAL

ORIGINAL DRAWING SEALED BY:
 B. J. CLEVEN
 SNC-LAVALIN INC.
 MEMBER #31479
 2016-08-29
 REV. 00

THE CITY OF WINNIPEG
 WATER AND WASTE DEPARTMENT

ROUTE 90 UNDERPASS PUMPING STATION
 2016 UPGRADES
 RTU I/O WIRING DIAGRAM
 CONTROL PANEL CP-U81
 DISCRETE INPUTS I33-I48

CITY DRAWING NUMBER: 1-0310U-A0006
 SHEET: 001
 REV: 00
 SIZE: A1