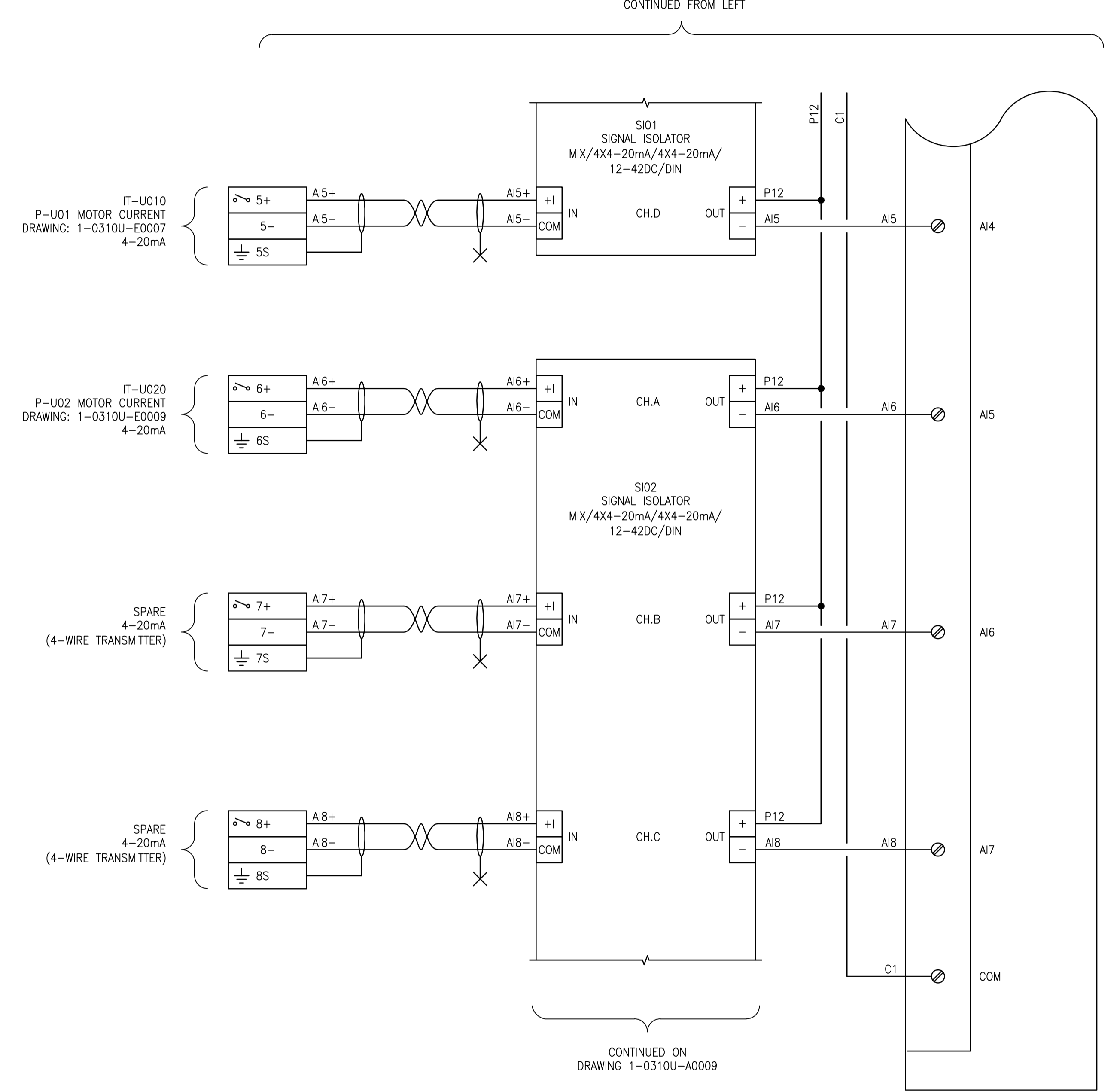
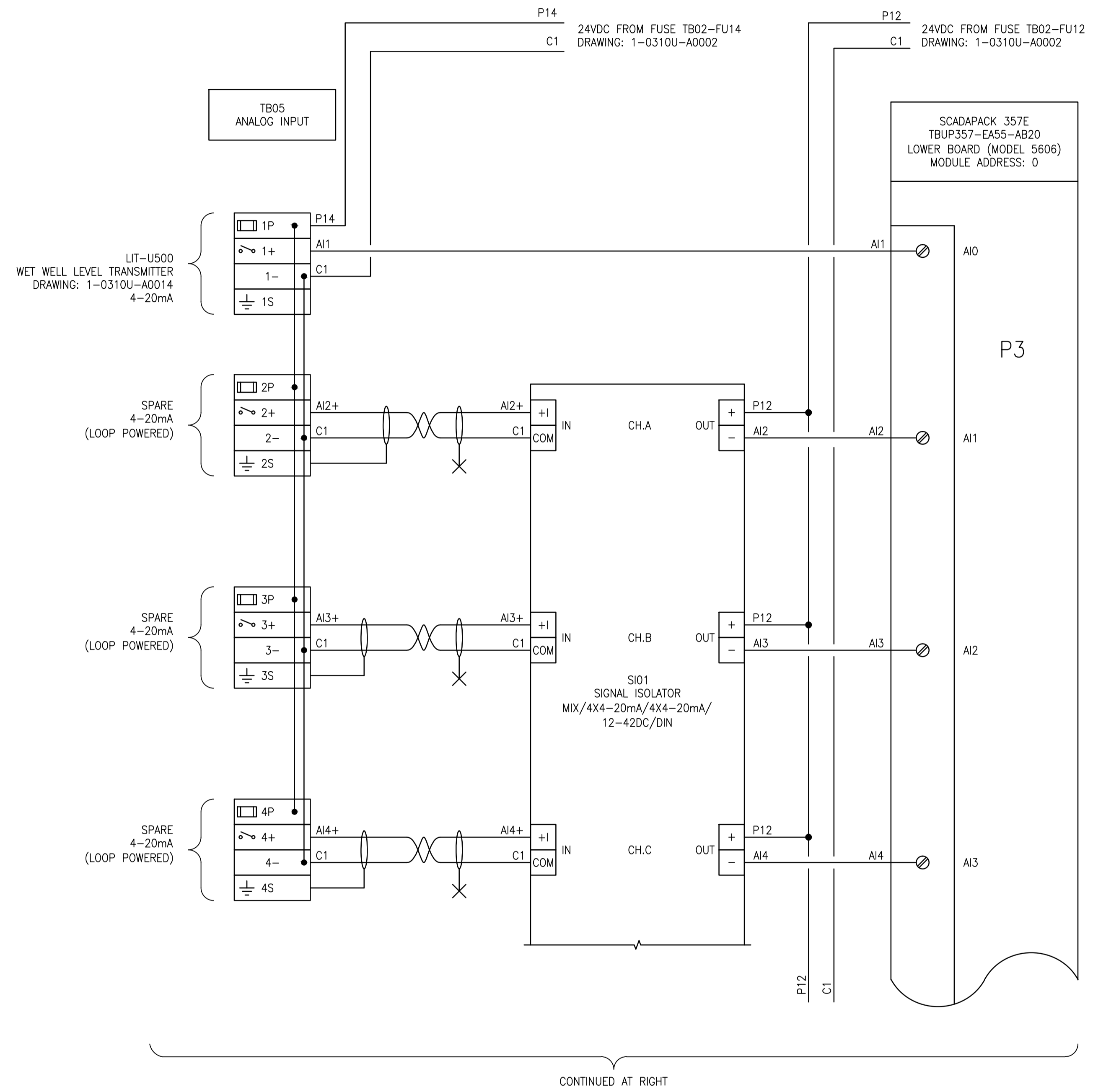


SIGNAL ISOLATOR SWITCH SETTINGS		
IDENTIFIER	CHANNEL A	CHANNEL B
SI01	4-20mA	4-20mA
SI02	4-20mA	4-20mA

FUSE SCHEDULE			
TB	IDENTIFIER	SIZE	RATED CURRENT (A)
TB05	1P	5x20mm	0.2
	2P	5x20mm	0.2
	3P	5x20mm	0.2
	4P	5x20mm	0.2



CONTINUED AT RIGHT

CONTINUED ON
 DRAWING 1-0310U-A0009



NO.	REVISIONS	DATE	DESIGN	CHECK
00	ISSUED FOR TENDER, BID OPP. 767-2016	2016/08/23	BJC	FA

 SNC-Lavalin Inc. 148 Nature Park Way Winnipeg, MB, Canada R3P 0X7 204-786-8080	
DESIGNED BY: B. CLEVEN	CHECKED BY: F. ATAEI
DRAWN BY: Y. KONIG	APPROVED BY: I. PARKINSON
SCALE: NTS	ISSUED FOR CONSTRUCTION BY: K. ZUREK
DATE: 2016/03/23	DATE: 2016-08-29
CONSULTANT NO.:	

ENGINEER'S SEAL
 ORIGINAL DRAWING
 SEALED BY:
 B. J. CLEVEN
 SNC-Lavalin Inc.
 MEMBER #31479
 2016-08-29
 REV. 00

THE CITY OF WINNIPEG
 WATER AND WASTE DEPARTMENT
 ROUTE 90 UNDERPASS PUMPING STATION
 2016 UPGRADES
 RTU I/O WIRING DIAGRAM
 CONTROL PANEL CP-U81
 ANALOG INPUTS AI1-AI8
 CITY DRAWING NUMBER: 1-0310U-A0008
 SHEET: 001 REV. 00 SIZE: A1