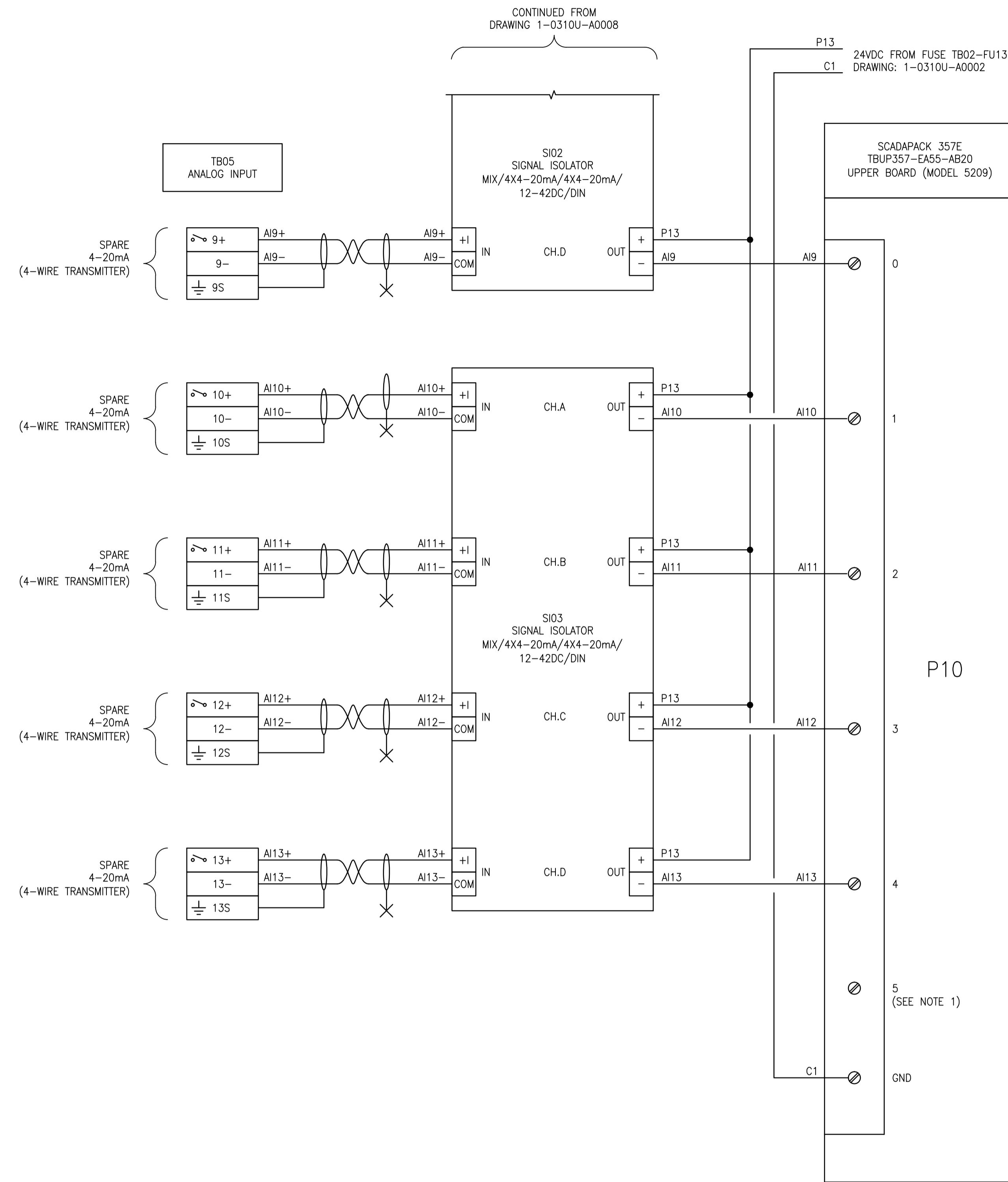
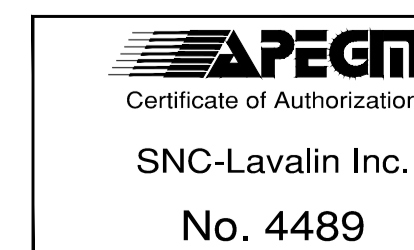


SIGNAL ISOLATOR SWITCH SETTINGS		
IDENTIFIER	CHANNEL A	CHANNEL B
SI03	4-20mA	4-20mA



NOTES:

- INPUT CHANNEL "5" IS CONFIGURED FOR VOLTAGE MODE ONLY AND WILL MEASURE 0-32.768V.



NO.	REVISIONS	DATE	DESIGN	CHECK
00	ISSUED FOR TENDER, BID OPP. 767-2016	2016/08/23	BJC	FA

DESIGNED BY: B. CLEVEN	CHECKED BY: F. ATAEI
DRAWN BY: Y. KONIG	APPROVED BY: I. PARKINSON
SCALE: NTS	ISSUED FOR CONSTRUCTION BY: K. ZUREK
DATE: 2016/03/23	DATE: 2016-08-29
CONSULTANT NO.:	

ENGINEER'S SEAL
 ORIGINAL DRAWING
 SEALED BY:
 B. J. CLEVEN
 SNC-LAVALIN INC.
 MEMBER #31479
 2016-08-29
 REV. 00

THE CITY OF WINNIPEG
 WATER AND WASTE DEPARTMENT

ROUTE 90 UNDERPASS PUMPING STATION
 2016 UPGRADES
 RTU I/O WIRING DIAGRAM
 CONTROL PANEL CP-U81
 ANALOG INPUTS AI9-AI13

CITY DRAWING NUMBER	SHEET	REV.	SIZE
1-0310U-A0009	001	00	A1