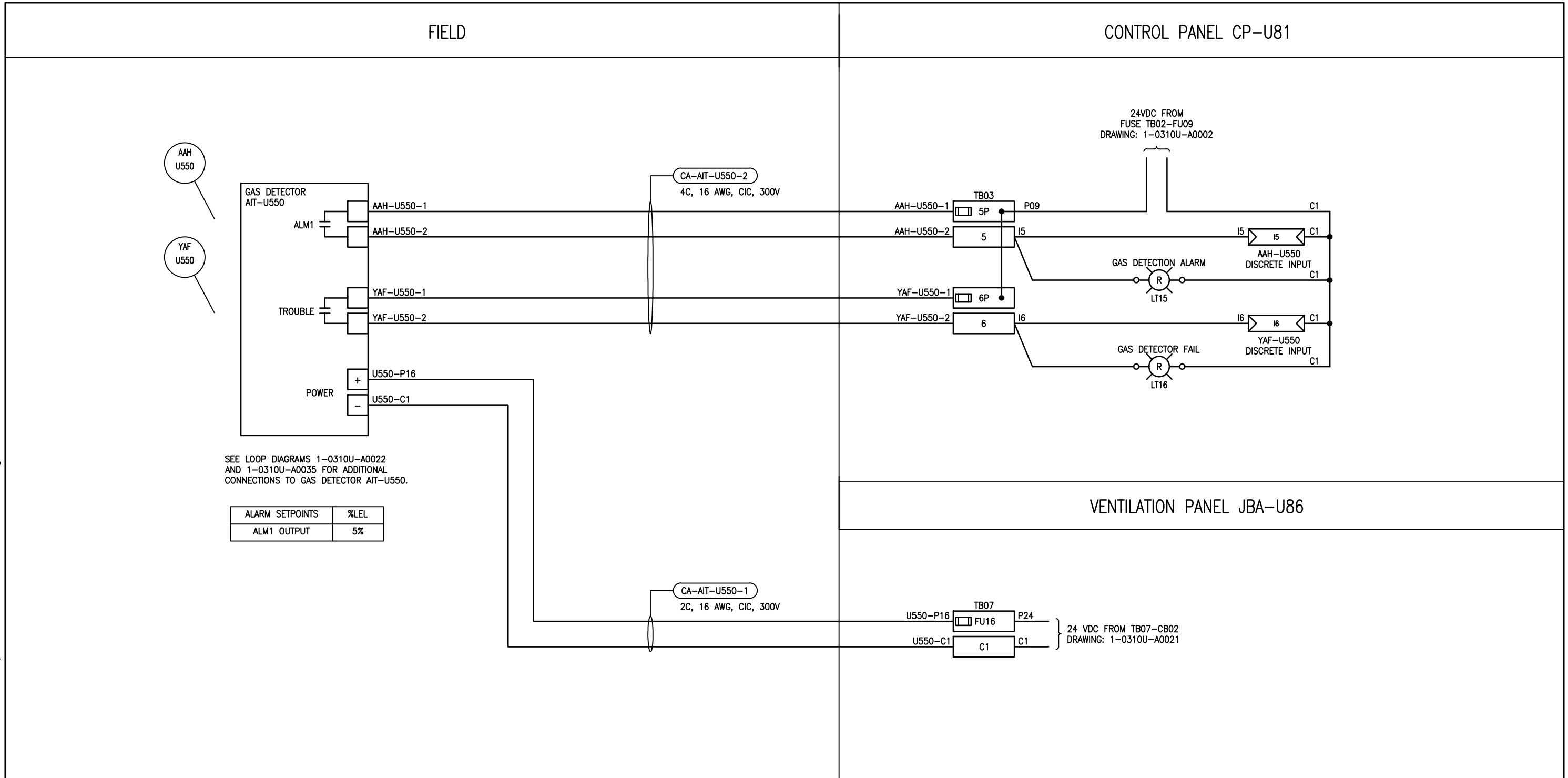


B SIZE - 279mm x 432mm

LAST SAVE: 2016/08/29 - 4:02pm
 PATH: M:\634683\4ENG\48&C\DD - General DWG\1-0310U-A0013-001-00.dwg



SNC-LAVALIN INC.
 148 Nature Park Way
 Winnipeg, MB, Canada R3P 0X7
 204-786-8080

ENGINEER'S SEAL

ORIGINAL DRAWING
 SEALED BY:
 B. J. CLEVEN
 SNC-LAVALIN INC.
 MEMBER # 31479
 2019-08-29
 REV.00



THE CITY OF WINNIPEG
 WATER AND WASTE DEPARTMENT

ROUTE 90 UNDERPASS PUMPING STATION
 2016 UPGRADES
 LOOP DIAGRAM
 GAS DETECTOR
 AAH-U550, YAF-U550

NO.	REVISIONS	DATE	DESIGN	CHECK
00	ISSUED FOR TENDER, BID OPP. 767-2016	2016/08/23	BJC	FA

DESIGNED BY: B. CLEVEN	CHECKED BY: F. ATAEI
DRAWN BY: Y. KONIG	APPROVED BY: I. PARKINSON
SCALE: NTS	DATE: 2016/05/25
ISSUED FOR CONSTRUCTION	
BY: K. ZUREK	DATE: 2016-08-29
CONSULTANT NO.:	

CITY DRAWING NUMBER	SHEET	REV.	SIZE
1-0310U-A0013	001	00	B