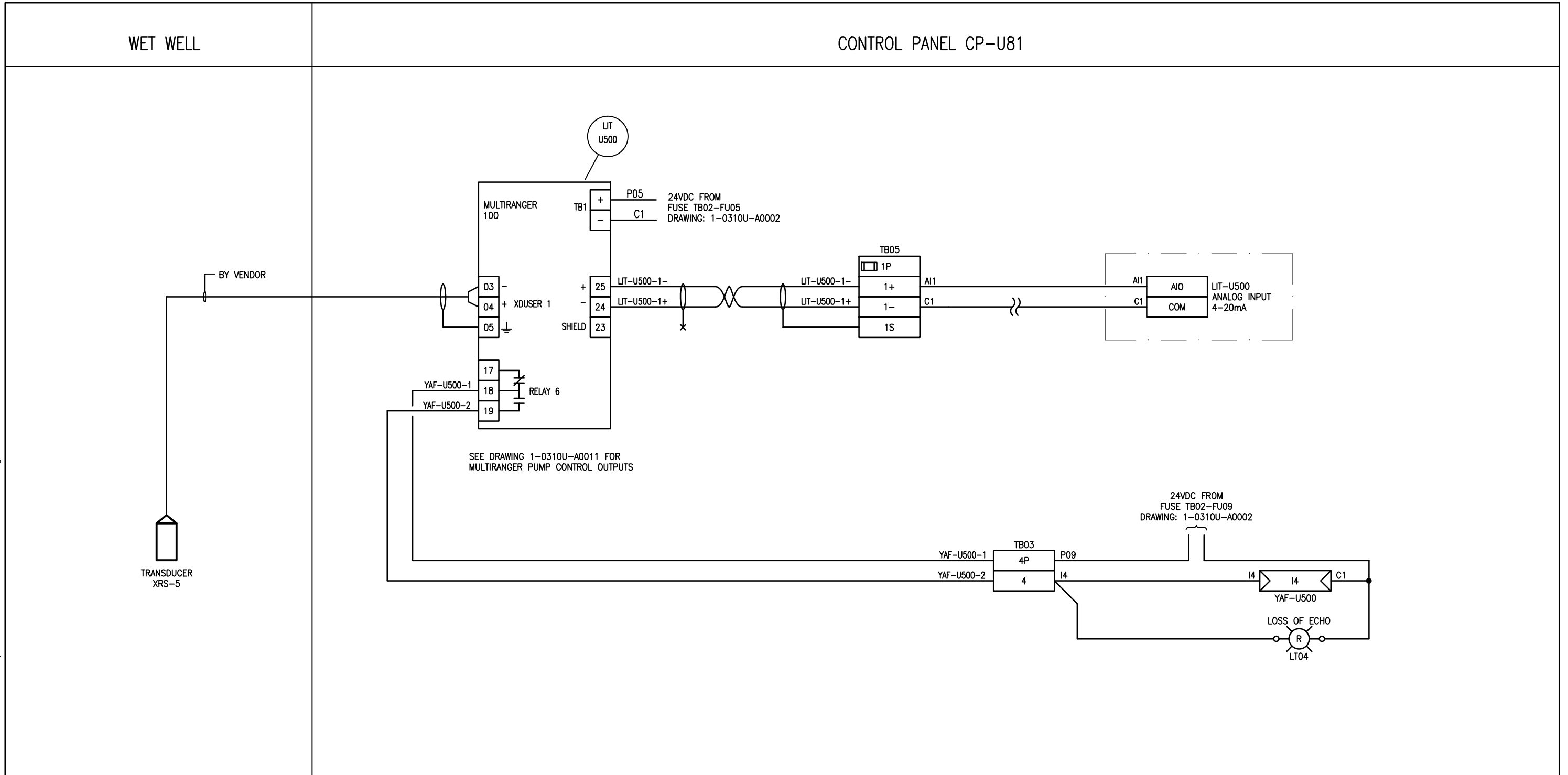


B SIZE - 279mm x 432mm

LAST SAVE: 2016/08/29 - 4:03pm  
 PATH: M:\634683\4ENG\48&C\DD - General DWG\1-0310U-A0014-001-00.dwg



**SNC-LAVALIN INC.**  
 148 Nature Park Way  
 Winnipeg, MB, Canada R3P 0X7  
 204-786-8080

ENGINEER'S SEAL  
 ORIGINAL DRAWING  
 SEALED BY:  
 B. J. CLEVEN  
 SNC-LAVALIN INC.  
 MEMBER # 31479  
 2019-08-29  
 REV.00



ROUTE 90 UNDERPASS PUMPING STATION  
 2016 UPGRADES  
 LOOP DIAGRAM  
 WET WELL LEVEL TRANSMITTER  
 LIT-U500, YAF-U500

NO.	REVISIONS	DATE	DESIGN	CHECK
00	ISSUED FOR TENDER, BID OPP. 767-2016	2016/08/23	BJC	FA

DESIGNED BY: B. CLEVEN	CHECKED BY: F. ATAEI
DRAWN BY: Y. KONIG	APPROVED BY: I. PARKINSON
SCALE: NTS	DATE: 2016/03/28
ISSUED FOR CONSTRUCTION BY: K. ZUREK	DATE: 2016-08-29
CONSULTANT NO.:	

CITY DRAWING NUMBER 1-0310U-A0014	SHEET 001	REV. 00	SIZE B
--------------------------------------	--------------	------------	-----------