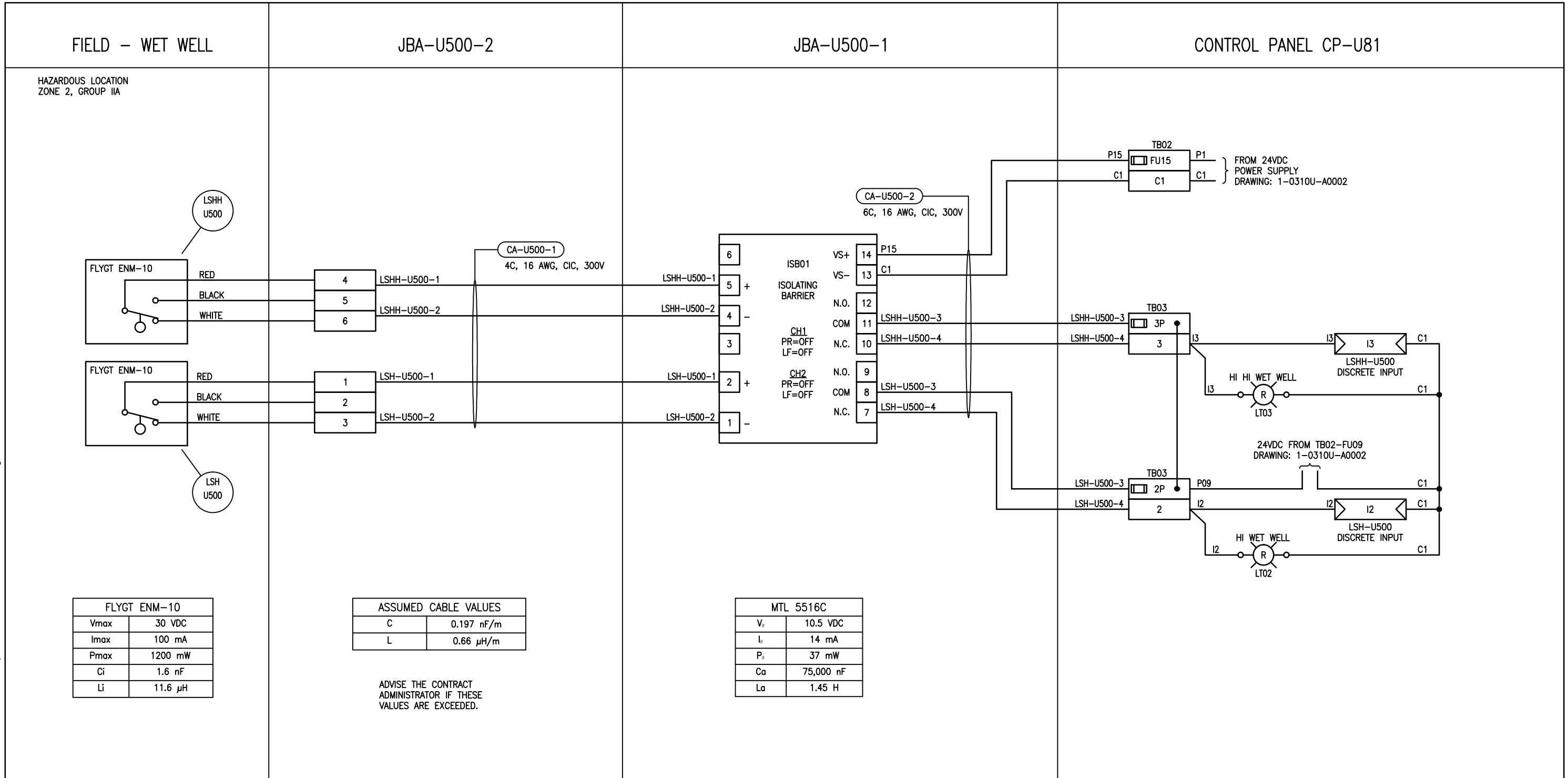


B SIZE - 279mm x 432mm

LAST SAVE: 2016/08/29 - 4:03pm
 PATH: M:\634683\4ENG\48&C\DD - General DWG\1-0310U-A0015-001-00.dwg



FLYGT ENM-10	
V _{max}	30 VDC
I _{max}	100 mA
P _{max}	1200 mW
C _i	1.6 nF
L _i	11.6 μH

ASSUMED CABLE VALUES	
C	0.197 nF/m
L	0.66 μH/m

ADVISE THE CONTRACT ADMINISTRATOR IF THESE VALUES ARE EXCEEDED.

MTL 5516C	
V _o	10.5 VDC
I _o	14 mA
P _o	37 mW
C _a	75,000 nF
L _a	1.45 H



SNC-LAVALIN INC.
 148 Nature Park Way
 Winnipeg, MB, Canada R3P 0X7
 204-786-8080

ENGINEER'S SEAL
 ORIGINAL DRAWING
 SEALED BY:
 B. J. CLEVEN
 SNC-LAVALIN INC.
 MEMBER # 31479
 2019-08-29
 REV.00



ROUTE 90 UNDERPASS PUMPING STATION
 2016 UPGRADES
 LOOP DIAGRAM
 WET WELL HIGH LEVEL SWITCHES
 LSH-U500, LSHH-U500

NO.	REVISIONS	DATE	DESIGN	CHECK
00	ISSUED FOR TENDER, BID OPP. 767-2016	2016/08/23	BJC	FA

CITY DRAWING NUMBER	SHEET	REV.	SIZE
1-0310U-A0015	001	00	B